

1982 CX500C Parts Manual

The data contained herein was collected from sources on the Internet freely available to the general public.

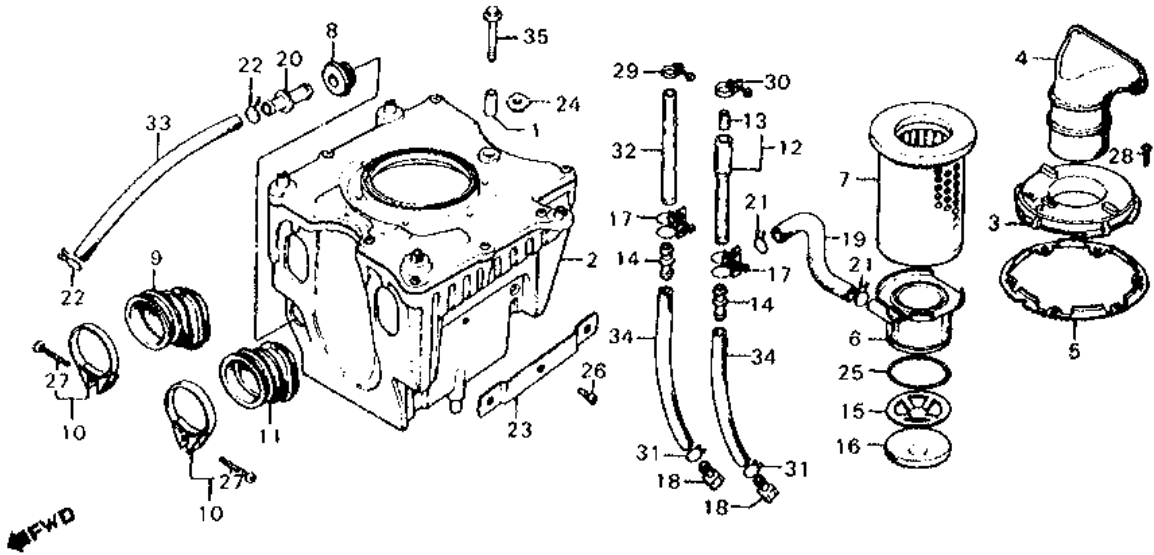
Disclaimer: The information contained herein is believed to be accurate but the user of this data assumes all risk associated with its usage.

Table of Contents

Air Cleaner.....	4
Alternator & Starter Clutch.....	5
Battery & Sidecovers	6
Block, Cylinder.....	8
Brake Caliper	10
Brake Lines, Front & Master Cylinder & Lever.....	11
Brake Panel, Rear & Rear Axle	12
Camshaft & Tachometer Gear	13
Camshaft Chain & Tensioner.....	14
Carburetors.....	15
Clutch.....	17
Clutch Cover & Oil Filter	18
Crankshaft & Pistons	19
Cylinder Head, Left	20
Cylinder Head, Right	22
Cylinder Head Covers.....	23
Electrical Plate & Modules	24
Engine Cover, Front (Transmission Cover).....	26
Engine Cover, Rear.....	27
Exhaust System.....	28
Fender, Front.....	30
Fender, Rear.....	31
Final Shaft.....	32
Footpegs.....	33
Forks	34
Frame	36
Fuel Tank & Petcock	37
Gasket Kit A	38
Gasket Kit B.....	39
Handlebar & Top Bridge & Fuse Panel & Lockset	40
Handlebar Controls & Mirrors.....	41
Headlight.....	42
Instruments: Speedometer & Tachometer & Lights	43
Oil Pump & Primary Drive Gear	44
Pedal, Brake & Shift Pedal	45
Radiator & Cooling Fan & Grille	46
Radiator Shroud & Coolant Reserve Tank & Engine Hangers.....	47
Rear End.....	48
Seat.....	50
Shifter Drum & Forks	51
Shock Absorbers, Rear.....	52
Stand, Center & Side Stand	53
Starter Motor.....	54

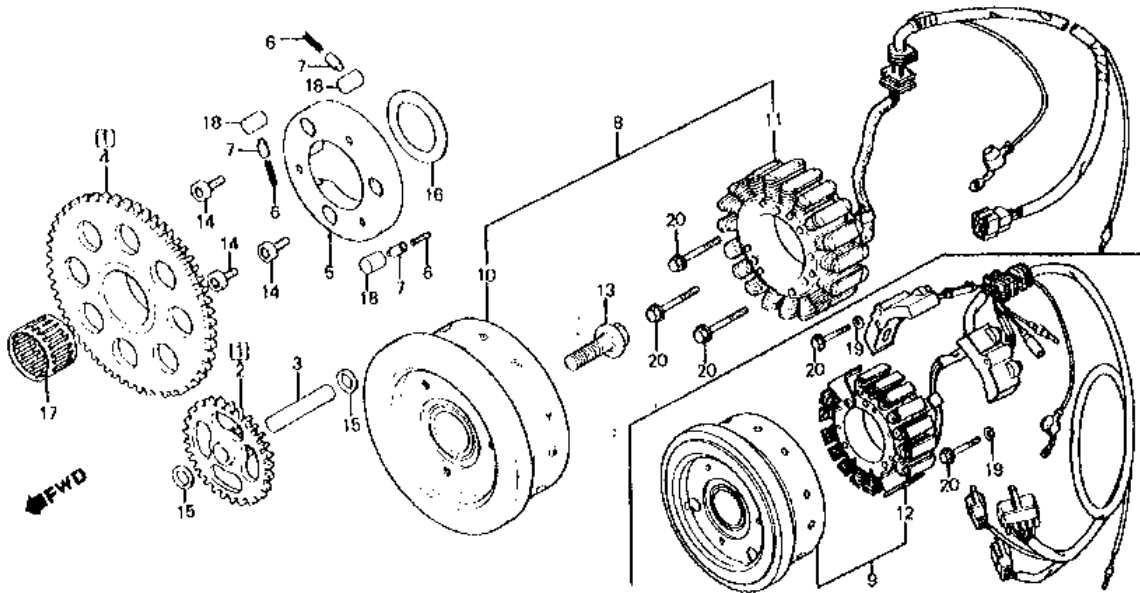
Steering Stem & Horn.....	55
Stripes & Emblems	56
Swingarm	57
Tail Light	59
Thermostat & Coolant Pipes & Hoses	60
Tools	61
Transmission.....	62
Turn Signals.....	63
Valves & Rocker Arms.....	64
Water Pump & Ignition Pulse Generator	65
Wheel, Front & Brake Disc	66
Wheel, Rear.....	67
Wire Harness & Ignition Coils	68

Air Cleaner



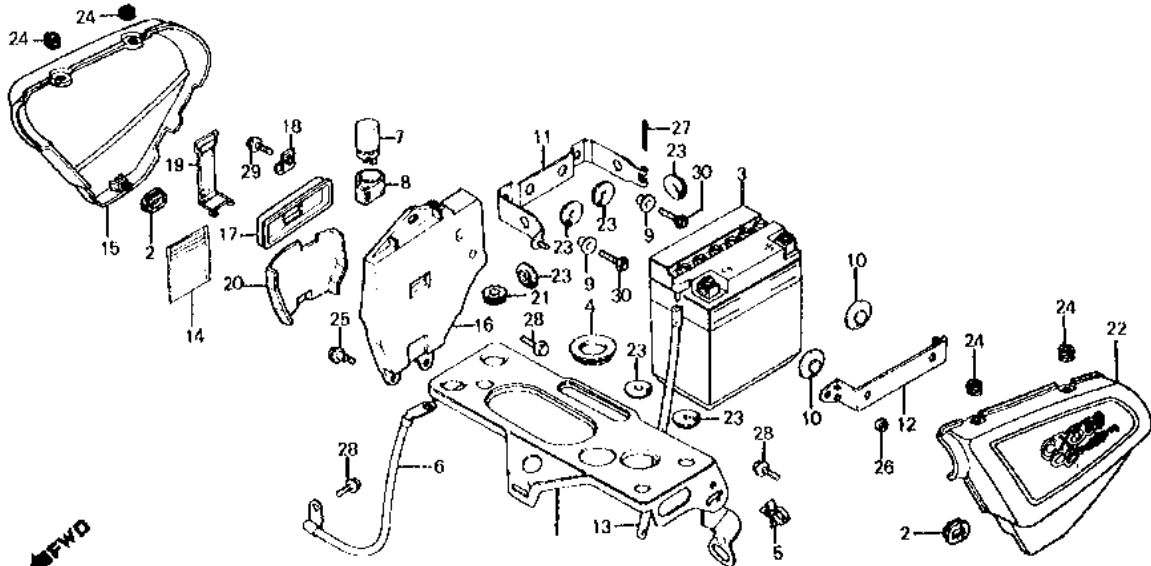
REF#	PART		#REQ
01	COLLAR	17202-415-000	001
02	HOUSING, AIR CLEANER	17205-415-000	001
03	CAP, A/CLNR ELEM	17212-415-000	001
04	TUBE	17213-415-000	001
05	HOLDER, CAP	17214-415-300	001
06	HOLDER, ELEMENT	17217-415-000	001
07	ELEMENT, AIR CLEANER	17220-415-003	001
08	GROMMET, TUBE	17225-415-300	001
09	TUBE, R.	17254-415-300	001
10	BAND, A/CLNR TUBE	17256-425-010	001
	(replaces	17256-358-000)	002
11	TUBE, L.	17264-415-300	001
12	TUBE, BREATHER	17335-415-670	001
13	FILTER	17337-323-300	001
14	JOINT, BREATHER TUBE	17359-419-670	002
15	SEPARATOR A	17363-415-000	001
16	ELEMENT, SEPARATOR	17364-415-000	001
17	CLIP, TUBE (A13.5)	17369-419-670	002
18	PLUG, BREATHER TUBE	17370-419-700	002
19	TUBE, BREATHER	17400-415-000	001
20	JOINT, BREATHER TUBE	17402-415-000	001
21	CLIP, SUB-TANK HOSE	17724-102-700	002
22	CLIP (16MM)	18534-634-670	002
23	PLATE	50326-415-000	001
24	PATCH, RR. COWL	80504-415-610	001
25	O-RING (63.5X2)	91355-415-000	001
26	SCREW, PAN (4X8)	93500-04008-0A	001
27	SCREW, PAN (4X20)	93500-04020-0A	002
28	SCREW, TAPPING (4X8)	93901-34120	006
29	CLIP, TUBE (A12)	95002-01120	001
30	CLIP, TUBE (A15)	95002-01150	001
31	CLIP, TUBE (B12.5)	95002-02130	002
32	BULK HOSE, VINYL	95003-23008-60M	001
33	TUBE	17403-449-830	001
34	BULK HOSE (8X1000)	95005-80001-20M	002
35	BOLT, FLANGE (6X35)	95701-06035-00	001
	(replaces	95700-06035-00)	001

Alternator & Starter Clutch



REF#	PART		#REQ
01	GEAR SET, STARTER	28100-415-305	001
02	GEAR	28102-415-010	001
03	SHAFT	28106-415-000	001
04	GEAR	28110-MF5-000	
		(replaces 28110-415-010)	001
05	CLUTCH, STARTER	28120-415-000	001
06	SPRING	28125-516-030	003
07	CAP	28126-516-020	003
08	ALTERNATOR ASSY.	31100-MA1-731	
		(replaces 31100-MA1-730)	001
10	ROTOR	31110-MA1-731	
		(replaces 31110-MA1-730)	001
11	STATOR	31120-MA1-005	001
13	BOLT (12X30)	90002-415-003	001
14	BOLT, SOCKET 8MM	90010-KCJ-690	
		(replaces 90010-415-000)	003
15	WASHER (12MM)	90451-708-000	002
16	WASHER (37MM)	90454-415-000	001
17	BEARING (32MM)	91021-415-005	001
18	ROLLER (15X13)	91101-516-000	003
20	BOLT, FLANGE (6X40)	95701-06040-00	
		(replaces 95700-06040-00)	003

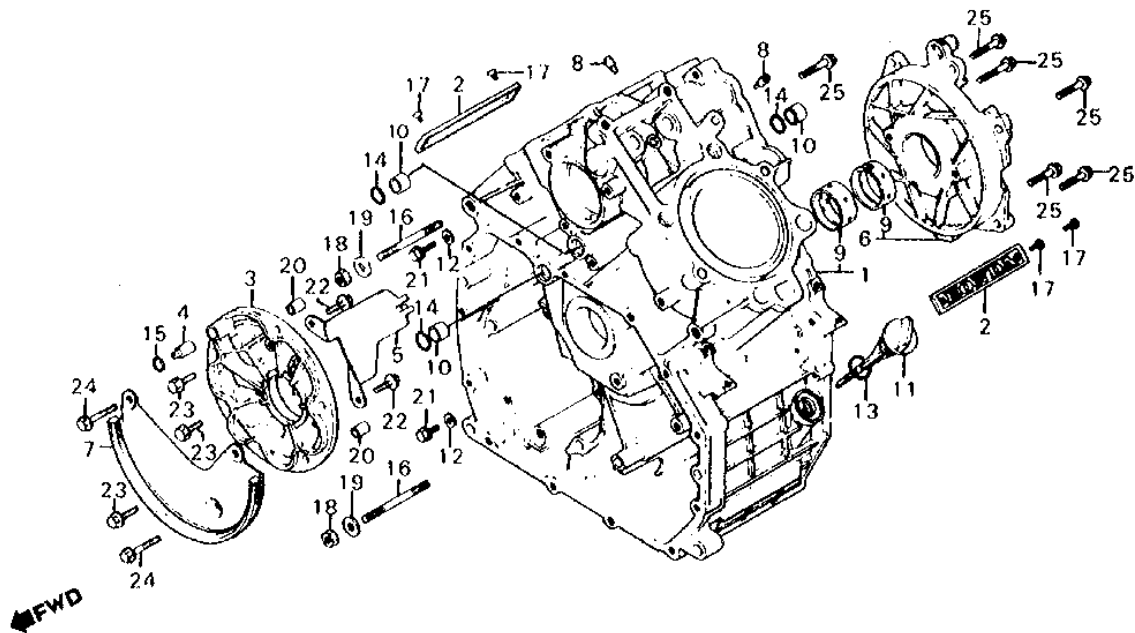
Battery & Sidecovers



REF#	PART		#REQ
01	PLATE	17215-449-000	001
02	GROMMET A	17247-303-000	002
03	BATTERY ASSY.	31500-425-672	
		(replaces 31500-415-601)	
		(replaces 31500-415-671)	
		(replaces 31500-425-671)	
		(replaces 31500-425-677)	
		(replaces 31500-461-770)	
		(replaces 31500-461-771)	
		(replaces 31500-461-772)	001
04	GROMMET, WIRE	32112-611-000	001
05	CLIP, HARNESS	32175-647-920	001
06	CABLE	32601-415-000	001
07	RELAY ASSY., WINKE	38300-415-P00	
		(replaces 38300-415-004)	
		(replaces 38300-415-671)	
		(replaces 38301-415-004)	
		(replaces 38301-415-671)	001
08	SUSPENSION	38306-292-000	001
09	COLLAR, CHAIN CASE	40514-147-000	002
10	RUBBER B, BATTERY	50327-300-000	
		(replaces 50327-300-010)	002
11	BAND A, BATTERY	50327-449-830	001
12	BAND B, BATTERY	50328-415-000	001
13	TUBE	31502-KA8-600	001
14	BAG, SERVICE BOOK	77251-342-000	001
15	COVER, R. *R104CU*	835A0-449-840ZA	001
15	COVER, R. *B100MU*	835A0-449-840ZB	001
16	BOX, TOOL	83501-449-000	001
17	COVER, TOOL BOX	83502-449-000	001
18	PLATE, TOOL SETTING	83503-449-000	001
19	BAND, TOOL SETTING	83504-449-000	001
20	COVER B, TOOL BOX	83505-449-000	001
21	GROMMET, SIDE COVER	83551-385-000	001
22	COVER, L. *R104CU*	836A0-449-840ZA	001
22	COVER, L. *B100MU*	836A0-449-840ZB	001
23	RUBBER, BATTERY BOX	83618-323-000	006
24	GROMMET	83705-413-000	004

25	BOLT, FLANGE (6MM)	90111-162-000	002
26	NUT, FLANGE (6MM)	94050-06080	001
27	PIN, COTTER (3.0X45)	94201-30450	
		(replaces 94201-30400)	001
28	BOLT, FLANGE (6X12)	95701-06012-00	
		(replaces 95700-06012-00)	003
29	BOLT, FLANGE (6X16)	95701-06016-00	
		(replaces 95700-06016-00)	001
30	BOLT, FLANGE (6X20)	95701-06020-08	
		(replaces 95700-06020-08)	002

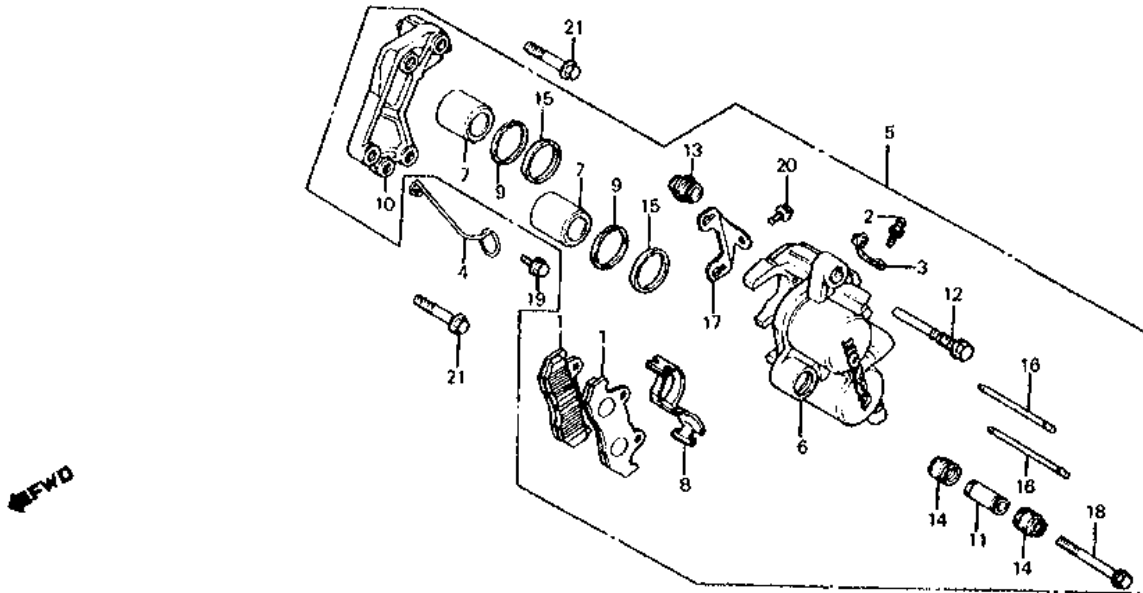
Block, Cylinder



REF#	PART		#REQ
01	BLOCK, CYLINDER	11100-449-020	001
02	EMBLEM	11105-415-670	002
03	HOLDER, TRANSMISSION	11131-415-000	001
04	ORIFICE (8MM)	11132-415-000	001
05	PLATE, TRANS HOLDER	11133-415-000	001
06	CAP, CRANKSHAFT	11140-415-000	001
07	SEPARATOR COMP, OI	11365-ME2-505	
	(replaces	11365-415-000)	001
08	VALVE	12901-413-000	002
09	BEARING A, MAIN	13325-415-305	002
09	BEARING B, MAIN	13326-415-305	002
09	BEARING C, MAIN	13327-415-305	002
10	COLLAR, O-RING	15155-300-000	003
11	DIPSTICK, OIL	15650-MK7-670	
	(replaces	15650-449-000)	001
12	WASHER (12MM)	90461-357-000	002
13	O-RING (22X3.0)	91307-425-003	
	(replaces	91301-250-000)	001
14	O-RING (13.6X2.4)	91301-268-020	003
15	O-RING (8X1.7)	91306-HB3-003	
	(replaces	91303-001-000)	001
16	BOLT, STUD (10X90)	92700-10090-0B	
	(replaces	92700-10090)	002
17	SCREW, TAPPING (4X8)	93902-34180	004
18	NUT, HEX. (10MM)	94001-10000-0S	002
19	WASHER, PLAIN (10MM)	94101-10000	002
20	PIN, DOWEL (8X14)	94301-08140	002
21	BOLT, FLANGE (6X12)	95701-06012-00	
	(replaces	95700-06012-00)	002
22	BOLT, FLANGE (6X16)	95701-06016-00	
	(replaces	95700-06016-00)	002
23	BOLT, FLANGE (6X20)	95701-06020-00	
	(replaces	95700-06020-00)	004
23	BOLT, FLANGE (6X20)	95701-06020-00	004

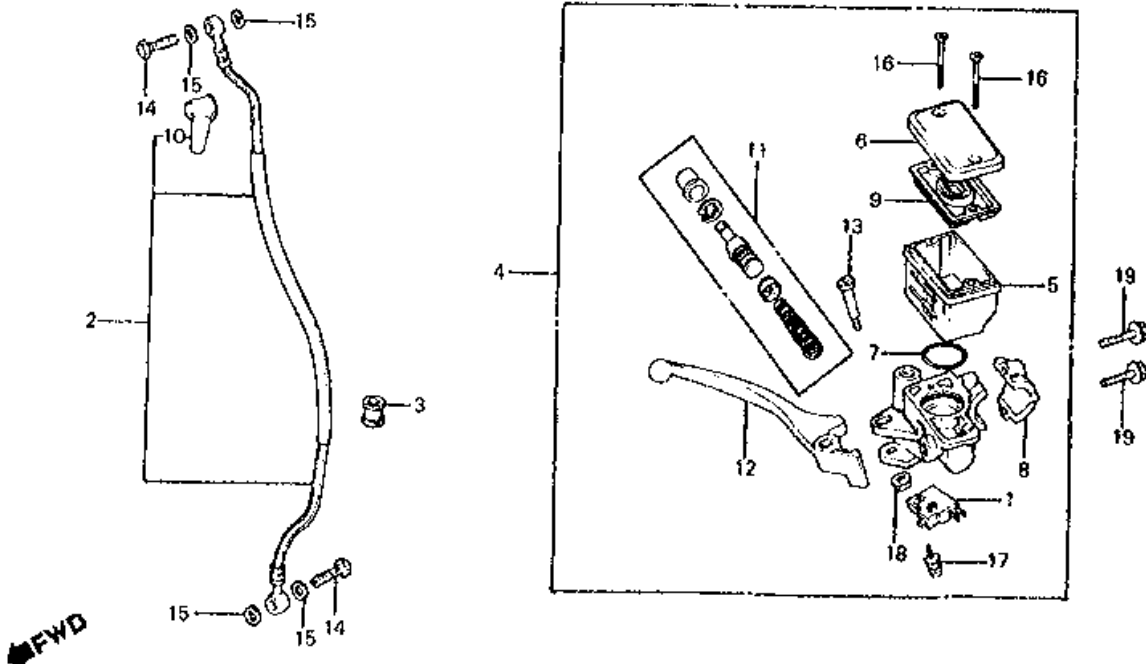
24	BOLT, FLANGE (6X32)	95701-06032-00	
	(replaces	95700-06032-00)	002
25	BOLT, FLANGE (8X25)	95701-08025-00	
	(replaces	95700-08025-00)	007

Brake Caliper



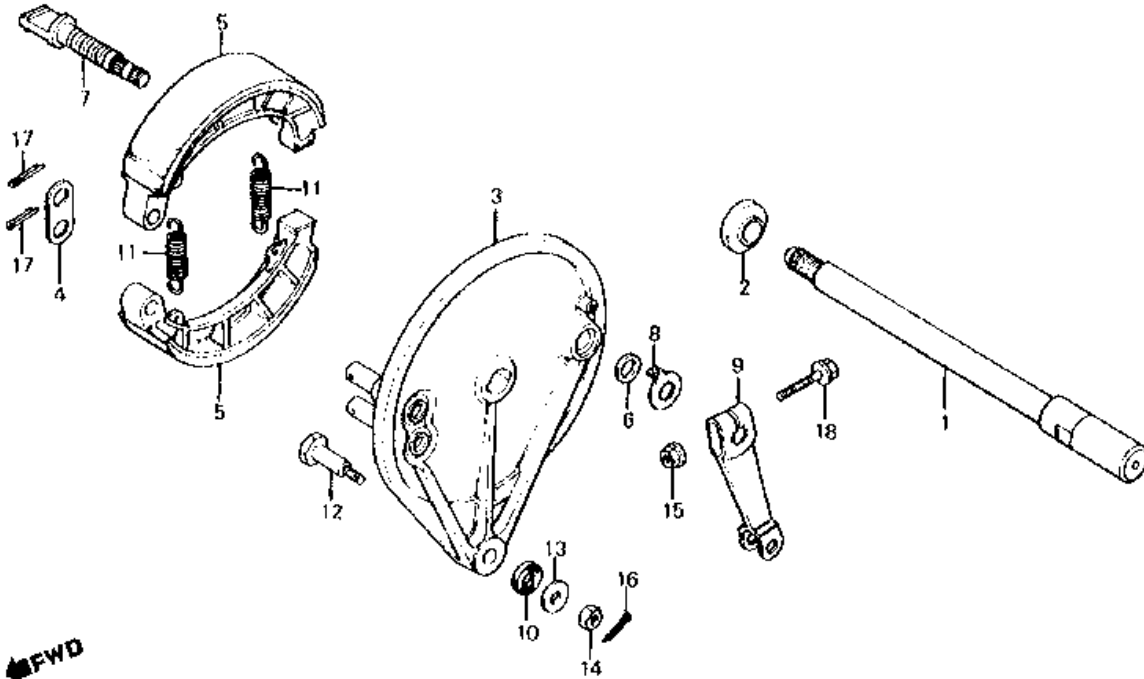
REF#	PART		#REQ
01	PAD, FR.	45105-MK7-672	
		(replaces 43105-MA3-004)	
		(replaces 43105-MA3-007)	002
02	SCREW, BLEEDER	43352-568-003	001
03	CAP, BLEEDER	43353-461-771	001
04	CLAMP	44832-MA3-000	001
05	CALIPER, L. FR.	45100-449-405	
		(replaces 45100-449-841)	
		(replaces 45100-449-842)	001
06	CALIPER, L.	45101-MA3-006	001
07	PISTON	45107-MA3-006	002
08	SPRING, PAD	45108-MA3-006	001
09	DUST SEAL	45109-166-006	002
10	BRACKET, L. FR.	45110-449-841	001
11	SLEEVE	45111-MA3-006	001
12	PIN, BOLT	45131-MA3-006	001
13	BOOT B	45133-MA3-006	001
14	BOOT, PIN	45133-166-016	002
15	SEAL, PISTON	45209-166-006	002
16	PIN, HANGER	45215-MA3-006	002
17	PLATE	45217-MA3-006	001
18	BOLT, FLANGE (8X49)	90180-MA3-006	001
19	BOLT, HEX. (6X10)	92101-06010-0A	
		(replaces 92000-06010)	001
20	BOLT, FLANGE (6X10)	95701-06010-00	
		(replaces 95700-06010-00)	001
21	BOLT, FLANGE (10X32)	95801-10032-00	
		(replaces 95800-10032-00)	002
NI	PAD SET, BRAKE	06455-MA3-405	
		(replaces 431A0-MA3-004)	001

Brake Lines, Front & Master Cylinder & Lever



REF#	PART		#REQ
01	SWITCH, FR. STOP	35340-MA5-671	001
02	HOSE, FR. BRAKE	45126-449-841	001
03	BUSH, BRAKE HOSE	45146-371-000	001
04	MASTER CYLINDER, FR.	45500-447-732	001
05	CUP, OIL	45511-MA5-671	001
06	CAP, OIL CUP	45513-MA5-671	001
07	O-RING (26.7X2.4)	45516-166-006	001
08	HOLDER	45517-MA5-671	001
09	DIAPHRAGM	45520-MA5-672	001
	(replaces 45520-MA5-671)		
10	BOOT	45522-422-000	001
11	MASTER CYLINDER SET	45530-MA4-671	001
12	LEVER, R. HANDLEBAR	53175-MA5-671	001
13	BOLT, R.	90114-MA5-671	001
14	BOLT, OIL	90145-300-010	002
	(replaces 90145-300-000)		
15	WASHER, OIL BOLT	90545-300-000	004
16	SCREW, FLAT (4X45)	93600-04045-1G	004
17	SCREW-WASHER (4X12)	93893-04012-08	001
	(replaces 93893-04012-18)		
18	NUT, FLANGE (6MM)	94050-06000	001
19	BOLT, FLANGE (6X25)	95701-06025-07	002
	(replaces 95700-06025-07)		

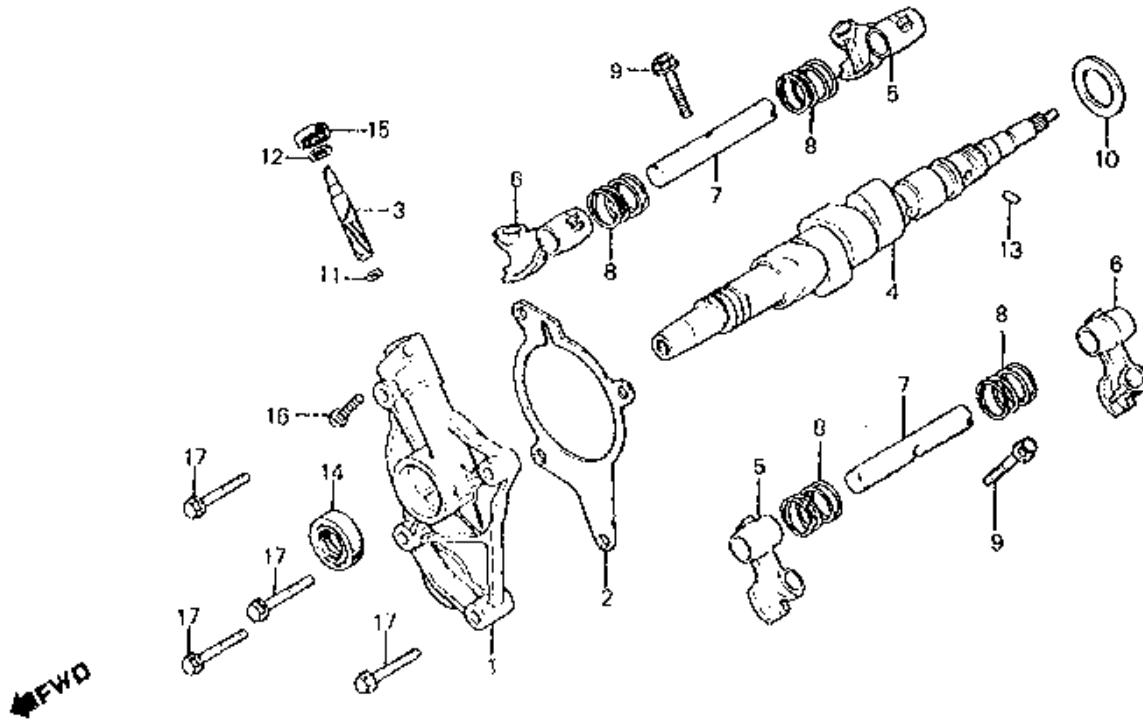
Brake Panel, Rear & Rear Axle



←FWD

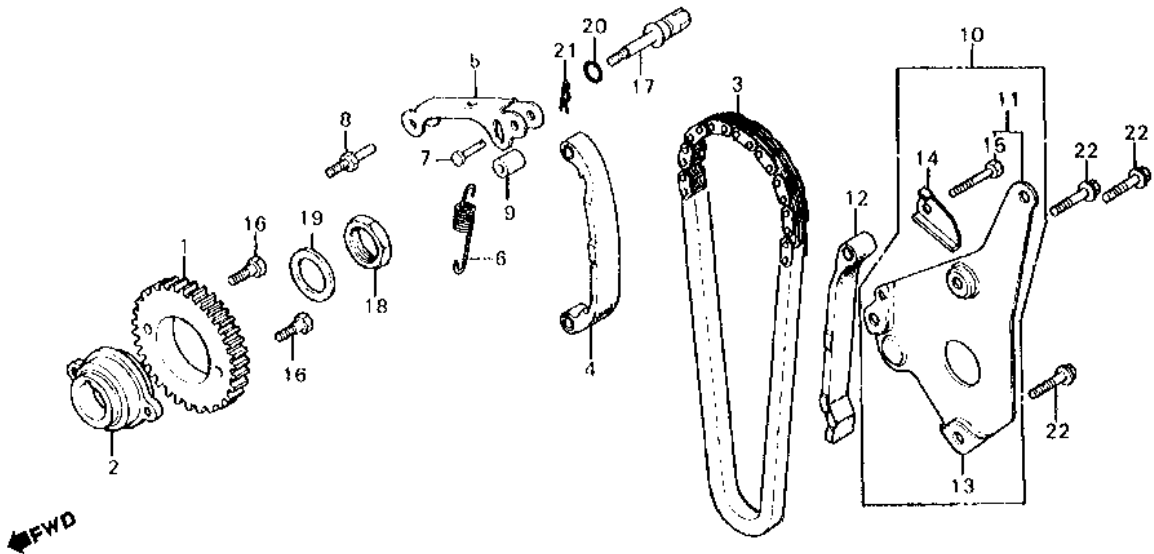
REF#	PART		#REQ
01	AXLE, RR. WHEEL	42301-449-840	001
02	COLLAR, RR.	42311-415-000	001
03	PANEL, RR.	43100-415-010	001
04	WASHER, ANCHOR PIN	43102-319-000	001
	(replaces 43106-222-300)		
05	SHOE, BRAKE	43120-MW3-671	001
	(replaces 43120-415-000)		002
06	DUST SEAL, BRAKE CAM	43134-300-000	001
07	CAM, RR. BRAKE	43141-415-000	001
08	INDICATOR, RR. BRAKE	43145-415-000	001
09	ARM, RR. BRAKE	43410-415-750	001
10	RUBBER	43434-286-000	001
11	SPRING, FR.	45133-329-000	002
12	BOLT, RR.	90127-393-000	001
13	WASHER A	90524-030-000	001
	(replaces 90505-425-000)		
14	NUT, HEX. (8MM)	94001-08000-0S	001
15	NUT, FLANGE (8MM)	94050-08000	001
16	PIN, COTTER (2.0X35)	94201-20350	001
	(replaces 94201-20180)		
	(replaces 94201-20200)		
	(replaces 94201-20250)		
	(replaces 94201-20280)		
	(replaces 94201-20320)		001
16	PIN, COTTER (2.0X22)	94201-29220	001
16	PIN, SPLIT (2.0X22)	94201-20220	001
17	PIN, COTTER (2.5MM)	94201-25300	001
	(replaces 94201-25200)		
	(replaces 94201-25250)		002
18	BOLT, FLANGE (8X40)	95701-08040-00	001
	(replaces 95700-08040-00)		

Camshaft & Tachometer Gear



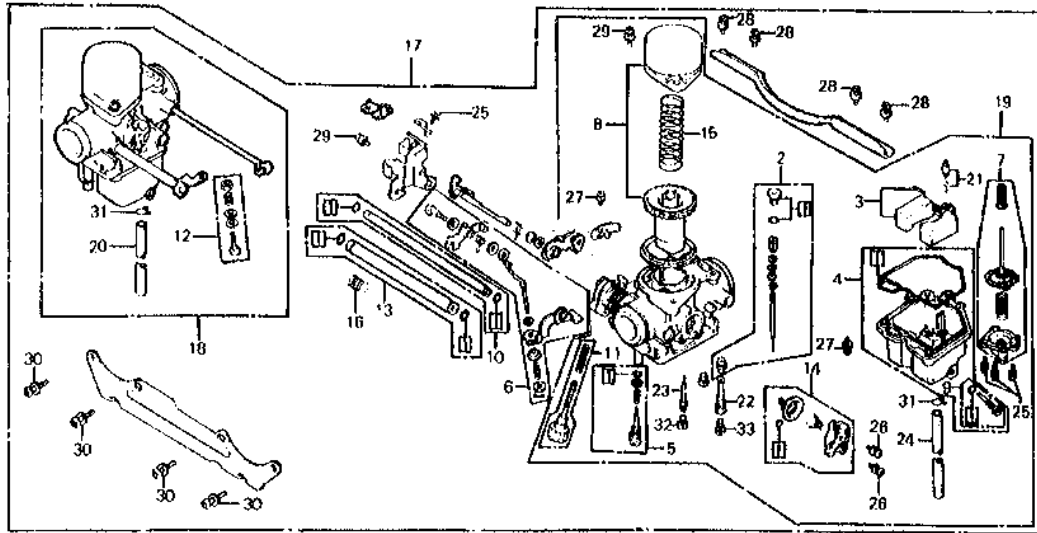
REF#	PART		#REQ
01	HOLDER, CAMSHAFT	12221-415-030	001
02	GASKET	12230-415-306	
		(replaces 12230-449-700)	001
03	GEAR, TACHOMETER	12431-415-010	001
04	CAMSHAFT	14100-MA1-000	001
05	ARM A, ROCKER	14441-415-010	002
06	ARM B, ROCKER	14442-415-010	002
07	SHAFT, ROCKER ARM	14451-ME7-000	
		(replaces 14451-415-000)	002
08	SPRING A	14453-415-000	004
09	BOLT, SPECIAL (6X30)	90008-415-000	002
10	WASHER (26MM)	90407-415-000	001
11	WASHER	90441-044-300	001
12	WASHER (6.7MM)	90458-324-000	001
13	ROLLER (5X8.5)	91105-415-000	001
14	OIL SEAL (17X28X7)	91201-415-013	
		(replaces 91201-415-003)	001
15	OIL SEAL (6X14.5X5)	91211-415-003	
		(replaces 91211-415-004)	001
16	SCREW, PAN (5X20)	93500-05020-0G	001
17	BOLT, FLANGE (6X28)	96001-06028-00	
		(replaces 96000-06028-00)	004

Camshaft Chain & Tensioner



REF#	PART		#REQ
01	SPROCKET, CAM	14321-415-000	001
02	BOSS, CAM SPROCKET	14322-415-000	001
03	CHAIN, CAM	14401-MA1-013	001
04	TENSIONER, CAM CHAIN	14500-470-751	001
05	ARM	14510-415-000	001
06	SPRING, TENSIONER	14515-415-000	001
07	PIN	14518-413-000	001
08	PIN	14538-415-000	001
09	COLLAR (7X13.2)	14539-415-000	001
10	GUIDE SET, CAM CHAIN	14600-415-305	001
11	PLATE A	14602-415-305	001
12	GUIDE, CAM CHAIN	14620-470-751	001
13	PLATE A	14623-415-010	001
14	PLATE B	14624-415-000	001
15	BOLT, HEX. (6X30)	90011-415-000	001
16	BOLT (7X17)	90081-415-000	002
17	BOLT, TENSIONER LOCK	90087-415-010	001
18	NUT, LOCK (20MM)	90241-MJ8-000	
	(replaces	90207-415-000)	001
19	WASHER, LOCK	90432-121-000	001
20	O-RING (6.5X3.1)	91312-415-000	001
21	PIN, LOCK (6MM)	94251-06000	001
22	BOLT, FLANGE (6X16)	95701-06016-00	
	(replaces	95700-06016-00)	003

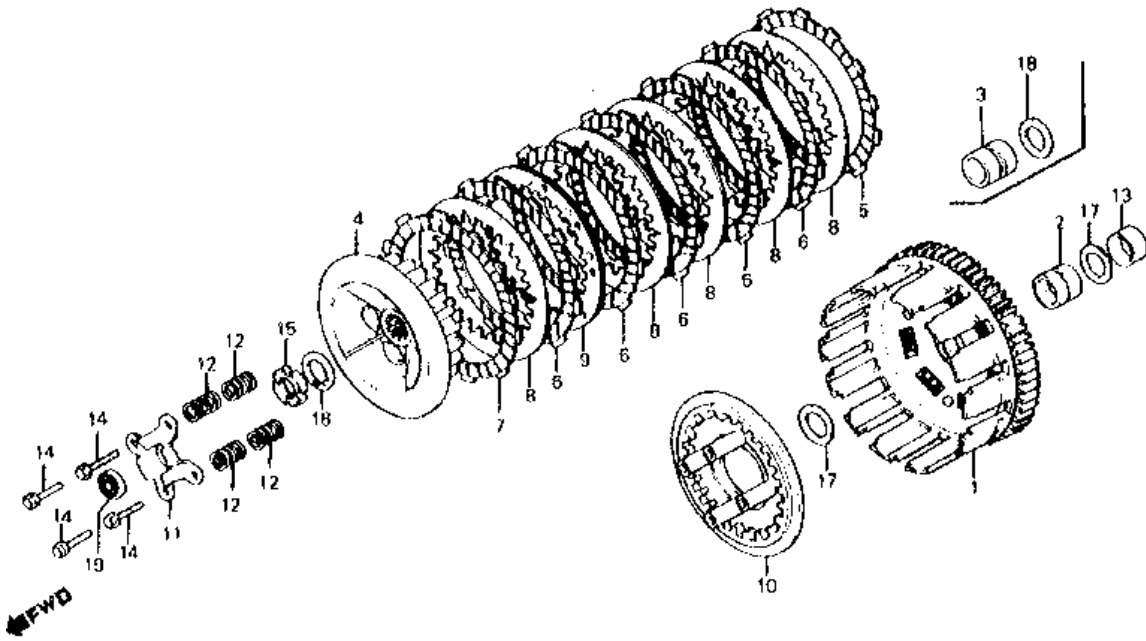
Carburetors



REF#	PART		#REQ
01	GASKET SET	16010-MA4-305	
		(replaces 16010-449-771)	002
02	NEEDLE SET, JET	16012-449-771	002
03	FLOAT SET	16013-413-851	
		(replaces 16013-413-751)	002
04	CHAMBER SET, FLOAT	16015-425-871	
		(replaces 16015-413-004)	002
04	CHAMBER SET, FLOAT	16015-425-871	002
05	SCREW SET A	16016-KC2-970	
		(replaces 16016-413-751)	002
06	ROD SET, PUMP	16019-413-751	001
07	DIAPHRAGM SET, PUMP	16021-413-751	001
08	PISTON SET, VACUUM	16022-449-771	002
09	CHAMBER SET B, FLOAT	16023-425-671	001
10	JOINT SET, FUEL	16026-449-751	001
11	SCREW SET B	16028-425-671	001
12	SCREW SET C	16029-PC6-005	
		(replaces 16029-413-004)	001
13	JOINT SET, FUEL	16037-449-771	001
14	VALVE SET, AIR CUT	16048-429-771	
		(replaces 16048-429-671)	002
15	SPRING	16050-415-003	002
16	SPRING	16051-413-004	001
17	CARBURETOR ASSY.	16100-449-753	
		(replaces 16100-449-752)	001
18	CARBURETOR ASSY., R.	16101-449-752	001
19	CARBURETOR ASSY., L.	16102-449-752	001
20	TUBE	16195-449-405	
		(replaces 16144-413-751)	001
21	VALVE, FLOAT	16155-413-751	002
22	HOLDER, NEEDLE JET	16165-449-771	
		(replaces 16165-413-004)	002
23	NOZZLE, MAIN	16166-415-003	002
24	TUBE	16195-449-405	
		(replaces 16195-449-771)	001
25	SCREW-WASHER (4X10)	93892-04010-00	004
26	SCREW-WASHER (4X12)	93892-04012-00	004
27	SCREW-WASHER (4X16)	93892-04016-00	008
28	SCREW-WASHER (5X12)	93892-05012-00	004

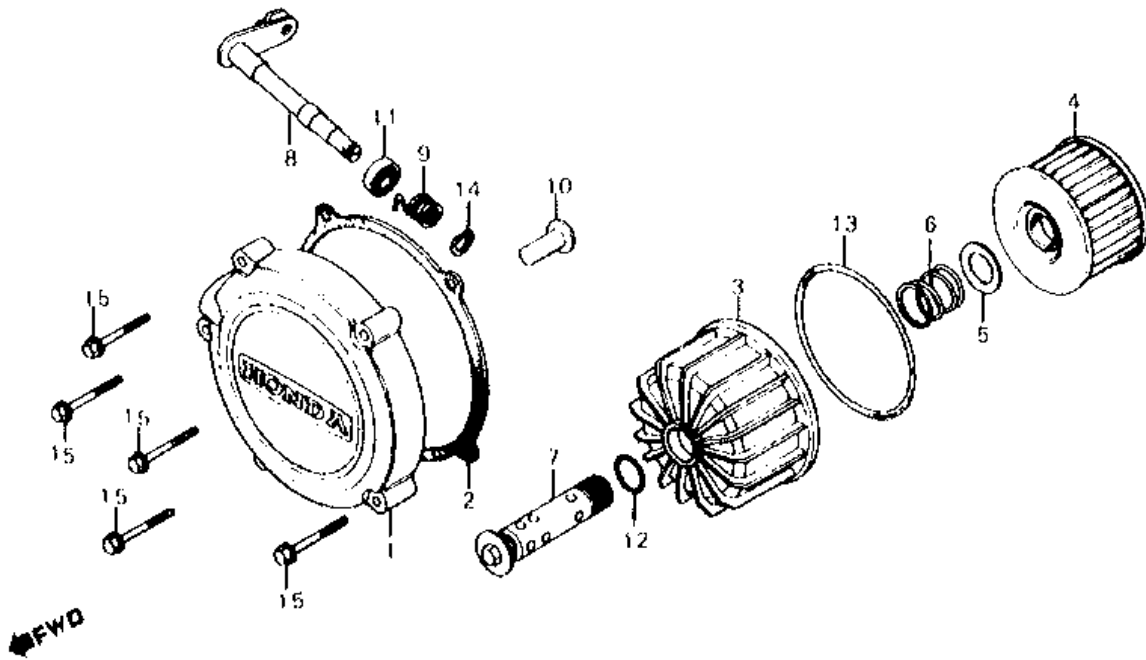
29	SCREW-WASHER (5X16)	93892-05016-00	005
30	SCREW-WASHER (6X14)	93892-06014-00	004
31	CLIP, TUBE (B6.5)	95002-02650	002
32	JET, MAIN (#78)	99101-GHB-0780	
	(replaces	99101-393-0780)	002
33	JET, MAIN (#115)	99101-MAZ-1150	
	(replaces	99101-393-1150)	
	(replaces	99101-GHB-1150)	
	(replaces	99102-393-1150)	002

Clutch



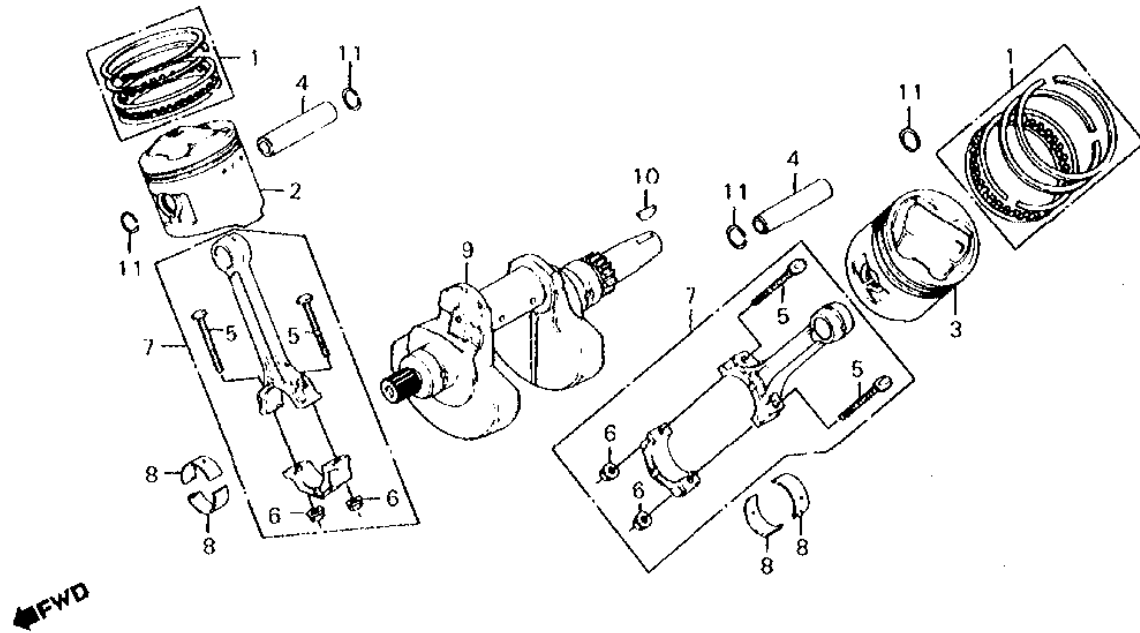
REF#	PART		#REQ
01	CLUTCH (OUTER)	22100-MA1-000	001
02	GUIDE, CLUTCH	22116-MA1-000	001
04	CENTER, CLUTCH	22120-390-000	001
05	DISK, CL FRICTION	22201-286-010	001
06	DISK, CL FRICTION	22201-415-306	
		(replaces 22201-415-000)	005
07	DISK B, CL FRICTION	22202-392-000	
		(replaces 22202-390-000)	001
08	PLATE B, CLUTCH	22321-329-000	005
09	PLATE B, CLUTCH	22322-390-000	001
10	PLATE, CLU PRESS	22350-390-000	001
11	PLATE, CLUTCH LIFTER	22361-415-000	001
12	SPRING, CLUTCH	22401-415-000	004
13	COLLAR (25MM)	23215-MA1-000	001
14	BOLT (6X22)	90050-357-000	004
15	NUT, LOCK (20MM)	90204-706-000	001
16	WASHER, LOCK	90432-121-000	001
17	WASHER (25MM)	90453-MA1-000	002
19	BEARING (6000)	96100-60000-00	001

Clutch Cover & Oil Filter



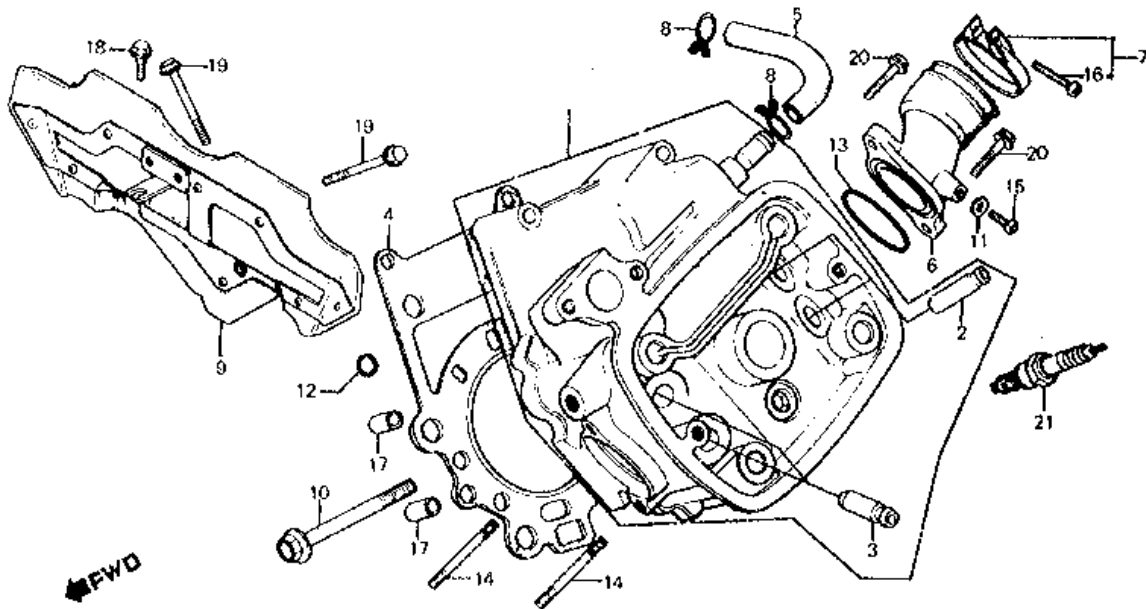
REF#	PART		#REQ
01	COVER, CLUTCH	11370-449-000	001
02	GASKET, CLUTCH COVER	11372-449-306	
		(replaces 11372-449-700)	001
03	CASE, OIL FILTER	15411-449-000	001
04	ELEMENT, OIL FILTER	154A1-413-005	
		(replaces 15412-413-005)	
		(replaces 154A1-MA6-000)	001
05	SEAT	15414-300-000	001
06	SPRING	15415-413-000	001
07	BOLT	15420-MA6-000	
		(replaces 15420-415-000)	001
08	SHAFT, CLUTCH LEVER	22811-449-000	001
09	SPRING, CLUTCH LEVER	22815-413-000	001
10	ROD, CLUTCH LIFTER	22847-415-000	001
11	OIL SEAL (12X18X3)	91201-951-003	001
12	O-RING (15X2.5)	91302-377-000	001
13	O-RING (81X4.5)	91315-MA6-003	
		(replaces 91311-415-000)	001
14	CIRCLIP (10MM)	94510-10000	001
15	BOLT, FLANGE (6X28)	96001-06028-00	
		(replaces 96000-06028-00)	005

Crankshaft & Pistons



REF#	PART		#REQ
01	RING SET (STD)	13011-415-003	002
		(replaces 13011-415-004)	
01	RING SET (OS 0.25)	13021-415-003	002
		(replaces 13021-415-004)	
01	RING SET (OS 0.50)	13031-415-003	002
		(replaces 13031-415-004)	
02	PISTON, R. (STD)	13101-415-000	001
02	PISTON, R. (OS 0.25)	13103-415-000	001
02	PISTON, R. (OS 0.50)	13105-415-000	001
03	PISTON, L. (STD)	13102-415-000	001
03	PISTON, L. (OS 0.25)	13104-415-000	001
03	PISTON, L. (OS 0.50)	13106-415-000	001
04	PIN, PISTON	13111-415-000	002
05	BOLT, CONNECTING ROD	13204-415-010	004
06	NUT, CONNECTING ROD	13205-634-010	004
07	ROD, CONNECTING	13210-415-020	002
		(replaces 13210-415-010)	
08	BEARING B, CONN ROD	13216-415-013	004
08	BEARING C, CONN ROD	13217-415-013	004
08	BEARING D, CONN ROD	13218-415-013	004
08	BEARING E, CONN ROD	13219-415-013	004
08	BEARING F, CONN ROD	13220-415-003	004
09	CRANKSHAFT	13300-MA1-000	004
10	KEY (25X18)	94401-25180	001
11	CLIP (21MM)	94601-21000	004

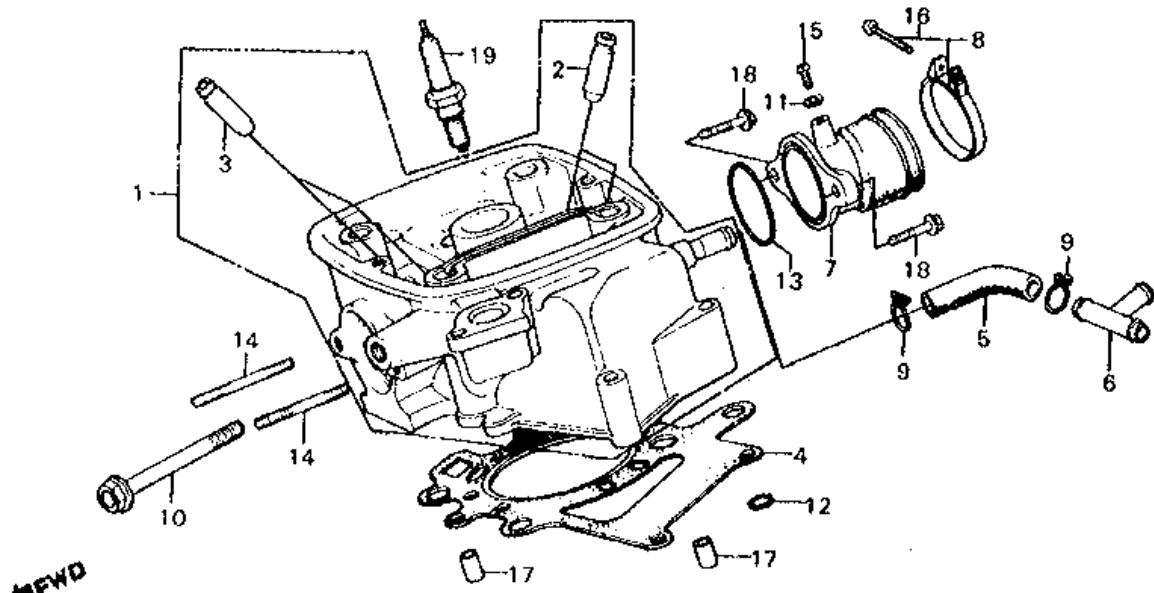
Cylinder Head, Left



REF#	PART		#REQ
01	CYLINDER HEAD, L.	12210-MA1-020	
	(replaces	12210-MA1-000)	001
02	GUIDE, IN VALVE	12233-MG8-405	
	(replaces	12231-415-305)	002
03	GUIDE, EX. VALVE	12241-415-305	
04	GASKET, CYL HD	12251-415-306	
	(replaces	12251-415-014)	
	(replaces	12251-415-024)	
	(replaces	12251-415-034)	001
06	INSULATOR, L. CARB	16221-415-000	
	(replaces	16221-449-003)	001
07	BAND (56)	95018-56200	
	(replaces	17255-356-000)	
	(replaces	90651-GHB-710)	001
09	SPOILER, AIR	19530-449-010	001
10	BOLT, FLANGE (10X75)	95801-10075-00	
	(replaces	90025-449-000)	001
11	WASHER (5MM)	90452-323-000	001
12	O-RING (8.8X1.9)	91302-GE0-000	
	(replaces	91302-044-003)	001
13	O-RING (40X2.4)	91325-413-830	
	(replaces	91325-567-005)	001
14	BOLT, STUD (6X55)	92700-06055-0B	
	(replaces	92700-06055)	002
15	SCREW, PAN (5X8)	93500-05008-0A	001
16	SCREW, PAN (5X20)	93500-05020-0G	001
17	PIN, DOWEL (8X14)	94301-08140	002
18	BOLT, FLANGE (6X12)	95701-06012-00	
	(replaces	95700-06012-00)	001
19	BOLT, FLANGE (6X50)	95701-06050-00	
	(replaces	95700-06050-00)	002
20	BOLT, FLANGE (6X22)	96001-06022-00	
	(replaces	96000-06022-00)	002
21	SPARK PLUG (DR8ES-L)	98069-38719	
	(replaces	98069-38716)	001
21	SPARK PLUG (DR8ES)	98069-58719	

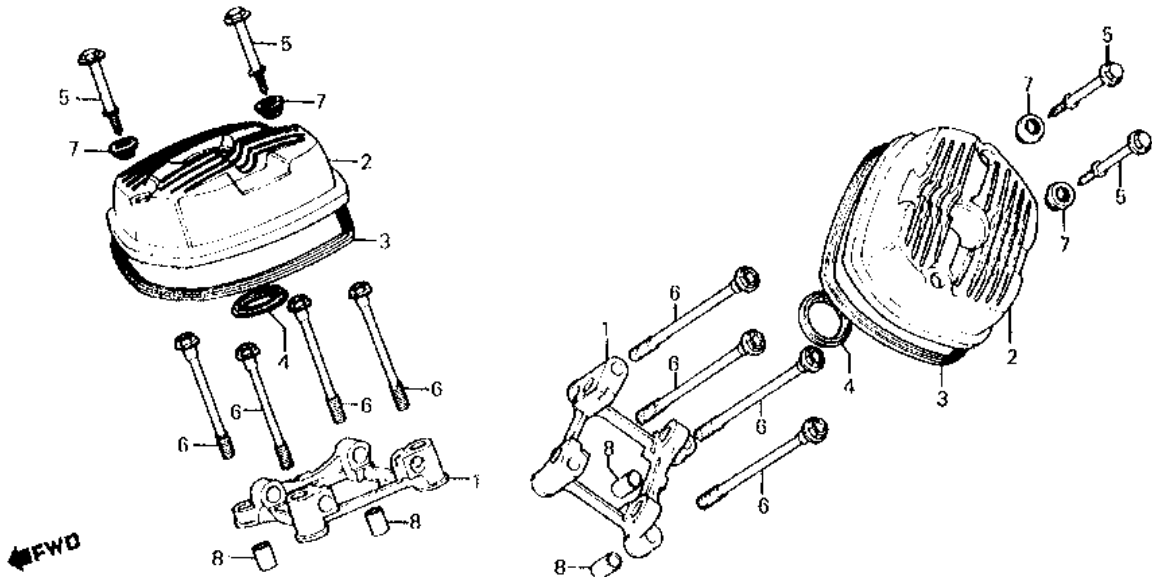
21	S/PLG (X24ESR-U)	(replaces 98069-58716)	001
21	S/PLG (X27ESR-U)	98069-58726	001
		98069-59726	001

Cylinder Head, Right



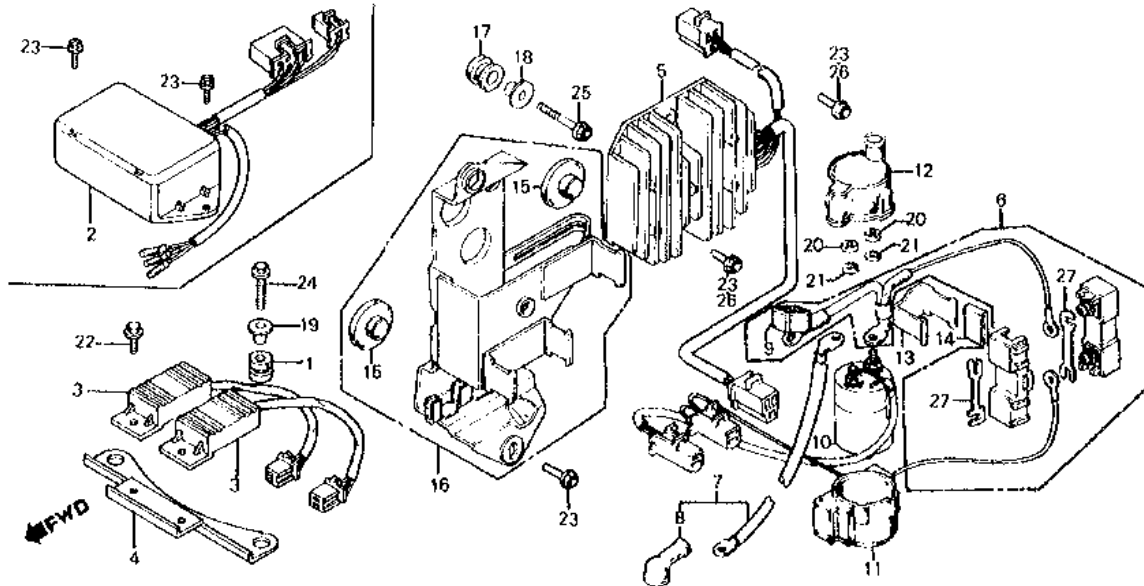
REF#	PART		#REQ
01	CYLINDER HEAD, R.	12200-MA1-000	001
02	GUIDE, IN VALVE	12233-MG8-405	
	(replaces	12231-415-305)	002
03	GUIDE, EX. VALVE	12241-415-305	002
04	GASKET, CYL HD	12251-415-306	
	(replaces	12251-415-004)	
	(replaces	12251-415-014)	
	(replaces	12251-415-024)	
	(replaces	12251-415-034)	001
07	INSULATOR, R. CARB	16211-415-000	
	(replaces	16211-449-003)	001
08	BAND (56)	95018-56200	
	(replaces	17255-356-000)	
	(replaces	90651-GHB-710)	001
10	BOLT, FLANGE (10X75)	95801-10075-00	
	(replaces	90025-449-000)	001
11	WASHER (5MM)	90452-323-000	001
12	O-RING (8.8X1.9)	91302-GE0-000	
	(replaces	91302-044-003)	001
13	O-RING (40X2.4)	91325-413-830	
	(replaces	91325-567-005)	001
14	BOLT, STUD (6X55)	92700-06055-0B	
	(replaces	92700-06055)	002
15	SCREW, PAN (5X8)	93500-05008-0A	001
16	SCREW, PAN (5X20)	93500-05020-0G	001
17	PIN, DOWEL (8X14)	94301-08140	002
18	BOLT, FLANGE (6X22)	96001-06022-00	
	(replaces	96000-06022-00)	002
19	SPARK PLUG (DR8ES-L)	98069-38719	
	(replaces	98069-38716)	001
19	SPARK PLUG (DR8ES)	98069-58719	
	(replaces	98069-58716)	001
19	S/PLG (X24ESR-U)	98069-58726	001
19	S/PLG (X27ESR-U)	98069-59726	001

Cylinder Head Covers



REF#	PART		#REQ
01	HOLDER	12215-ME7-000	
		(replaces 12215-415-000)	002
02	COVER, CYLINDER HEAD	12311-449-000	002
03	GASKET, HEAD COVER	12328-415-000	002
04	GASKET, PLUG HOLE	12329-415-000	002
05	BOLT (6X45.5)	90016-415-000	004
06	BOLT, FLG (12X150)	90021-415-000	008
07	RUBBER, SETTING	90541-371-000	004
08	PIN, DOWEL (14X20)	94301-14200	004

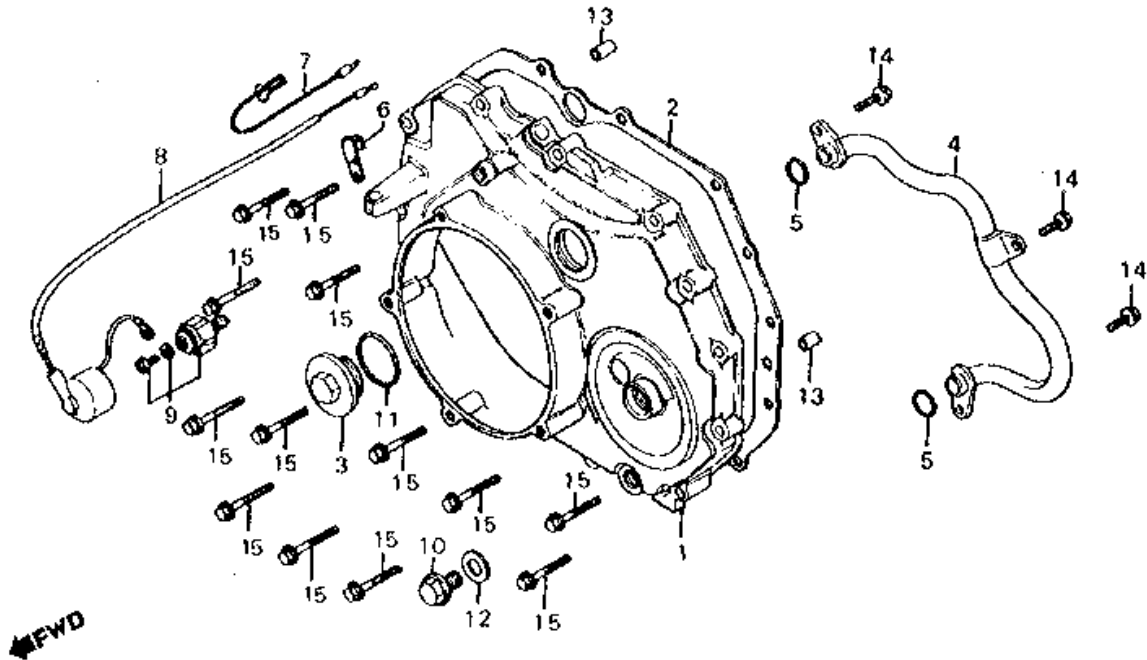
Electrical Plate & Modules



REF#	PART		#REQ
01	RUBBER	17245-107-010	002
03	MODULE, IGN CONT	30400-MA4-601	
		(replaces 30400-461-155)	002
04	STAY, SPARK UNIT	30406-449-830	001
05	RECTIFIER ASSY.	31600-MC7-008	
		(replaces 31600-449-831)	001
06	CABLE	32401-449-830	001
07	CABLE, STARTER MOTOR	32410-415-000	001
08	COVER	32411-230-000	
		(replaces 32411-253-000)	001
09	COVER B, TERMINAL	32414-425-000	001
09	COVER B, TERMINAL	32414-425-910	001
10	SWITCH ASSY.	35850-HA8-771	
		(replaces 35850-415-007)	
		(replaces 35850-958-680)	001
11	RUB, MAGNETIC SHOCK	35856-413-010	
		(replaces 35856-413-000)	001
12	CVR, MAGNETIC SWITCH	35857-415-000	001
13	STAY, MAIN FUSE	38254-422-000	001
14	HOLDER, FUSE STAY	38260-422-000	001
15	RUBBER B, BATTERY	50327-300-000	
		(replaces 50327-300-010)	001
16	PLATE, ELECTRIC	50340-449-830	001
17	RUBBER, FR.	61103-357-000	001
18	COLLAR, FR. FENDER	61104-428-000	
		(replaces 61104-357-000)	001
18	COLLAR, RR. FENDER	61105-428-000	001
19	COLLAR, FR. FENDER	61104-428-000	002
19	COLLAR, RR. FENDER	61105-428-000	002
20	NUT, HEX. (6MM)	94002-06080-0s	
		(replaces 94002-06080-00)	002
21	WASHER, SPRING (6MM)	94111-06800	002
22	BOLT, FLANGE (6X12)	95700-06012-08	002
22	BOLT, FLANGE (6X12)	95701-06012-08	002
23	BOLT, FLANGE (6X14)	95701-06014-08	
		(replaces 95700-06014-08)	001
24	BOLT, FLANGE (6X22)	95701-06022-00	

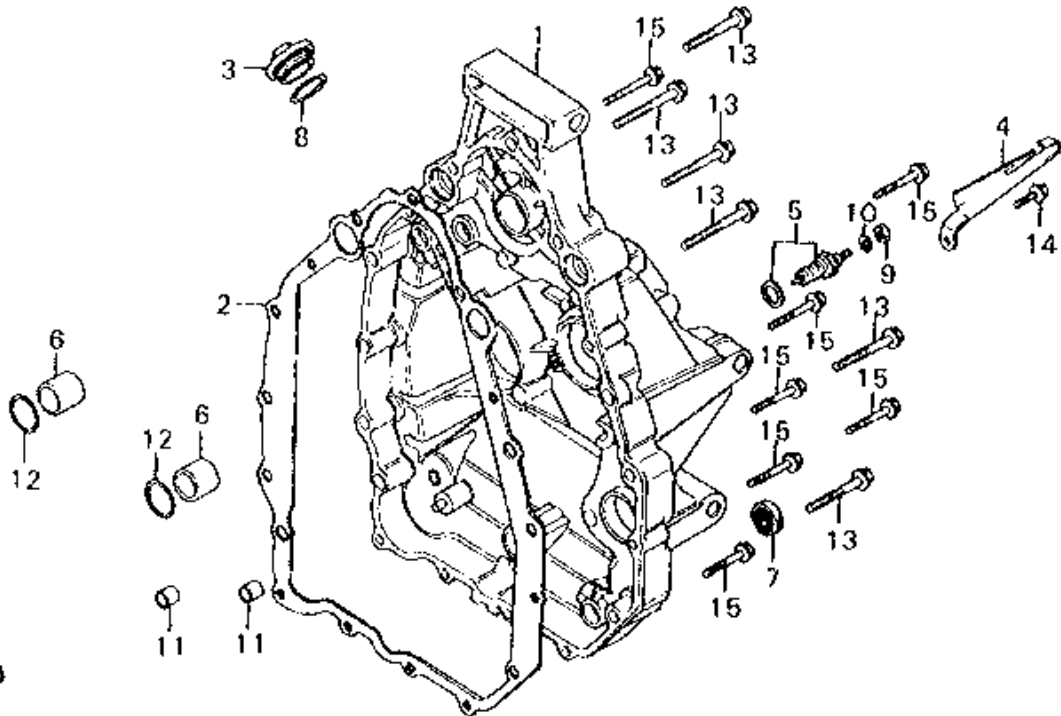
25	BOLT, FLANGE (6X20)	(replaces 95700-06022-00)	002
		95701-06020-00	
26	BOLT, FLANGE (6X35)	(replaces 95700-06020-00)	001
		95701-06035-08	
27	FUSE F (30A)	(replaces 95700-06035-08)	002
		98200-53000	002

Engine Cover, Front (Transmission Cover)



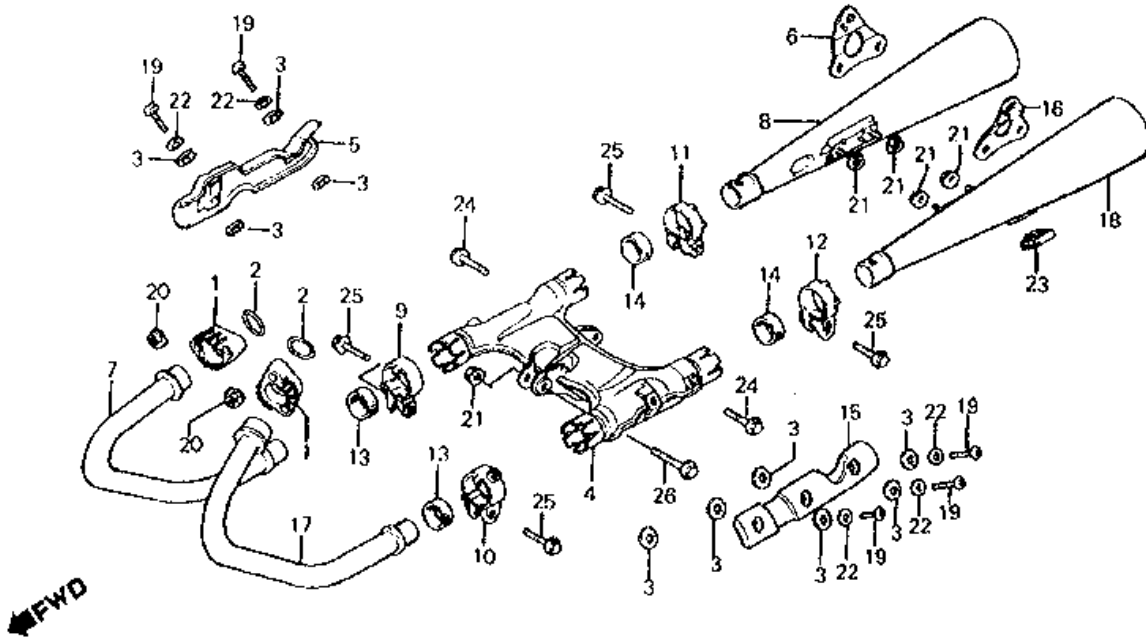
REF#	PART		#REQ
01	COVER, TRANSMISSION	11360-449-000	001
02	GASKET, TRANS CVR	11391-449-306	
		(replaces 11391-449-700)	001
03	CAP, VALVE ADJ.	12361-300-000	
		(replaces 12361-035-000)	
		(replaces 12361-371-980)	001
04	PIPE, OIL PASSAGE	15142-415-000	001
05	O-RING (11.8X2.4)	91302-ZE9-003	
		(replaces 16997-357-003)	
		(replaces 91302-ZE9-000)	
		(replaces 91320-HA5-000)	
		(replaces 91320-HA5-003)	002
05	O-RING (11.8X2.4)	91320-MJ6-003	002
06	CLAMP, CABLE	32111-323-000	001
07	CABLE, SUB	32111-449-750	001
08	SUB-WIRE	32103-KAZ-000	
		(replaces 32117-MA1-730)	001
09	SWITCH, OIL PRESSURE	35500-MJ4-024	
		(replaces 35500-MB9-004)	
		(replaces 35500-MJ0-004)	
		(replaces 35500-MJ4-004)	
		(replaces 35500-MJ4-014)	001
10	BOLT, DRAIN (12MM)	92800-12000	
		(replaces 90030-415-000)	001
11	O-RING (27.5X2.6)	91302-001-710	
		(replaces 91302-001-000)	001
12	WASHER, DRAIN (12MM)	94109-12000	001
13	PIN, DOWEL (8X14)	94301-08140	002
14	BOLT, FLANGE (6X14)	95701-06014-00	
		(replaces 95700-06014-00)	003
15	BOLT, FLANGE (6X28)	96001-06028-00	
		(replaces 96000-06028-00)	013

Engine Cover, Rear



REF#	PART		#REQ
01	COVER, RR.	11310-MA1-000	001
02	GASKET, RR. COVER	11394-449-306	
		(replaces 11394-449-701)	001
03	CAP, VALVE ADJ.	12361-300-000	001
04	GUIDE, NEUTRAL CABLE	31140-415-000	001
05	SWITCH, NEUTRAL	35600-413-023	
		(replaces 35600-413-003)	
		(replaces 35600-413-013)	001
06	COLLAR (22.2MM)	90701-415-000	002
07	OIL SEAL (14X26X6)	91251-zw5-003	
		(replaces 91203-023-020)	001
08	O-RING (27.5X2.6)	91302-001-710	
		(replaces 91302-001-000)	001
09	NUT, HEX. (4MM)	94001-04000-0S	001
10	WASHER, SPRING (4MM)	94111-04800	001
11	PIN, DOWEL (10X16)	94301-10160	002
12	O-RING (23X2.8)	94608-50000	002
13	BOLT, FLANGE (8X40)	95701-08040-00	
		(replaces 95700-08040-00)	006
14	BOLT, FLANGE (6X14)	96001-06014-00	
		(replaces 96000-06014-00)	001
15	BOLT, FLANGE (6X32)	96001-06032-00	
		(replaces 96000-06032-00)	007

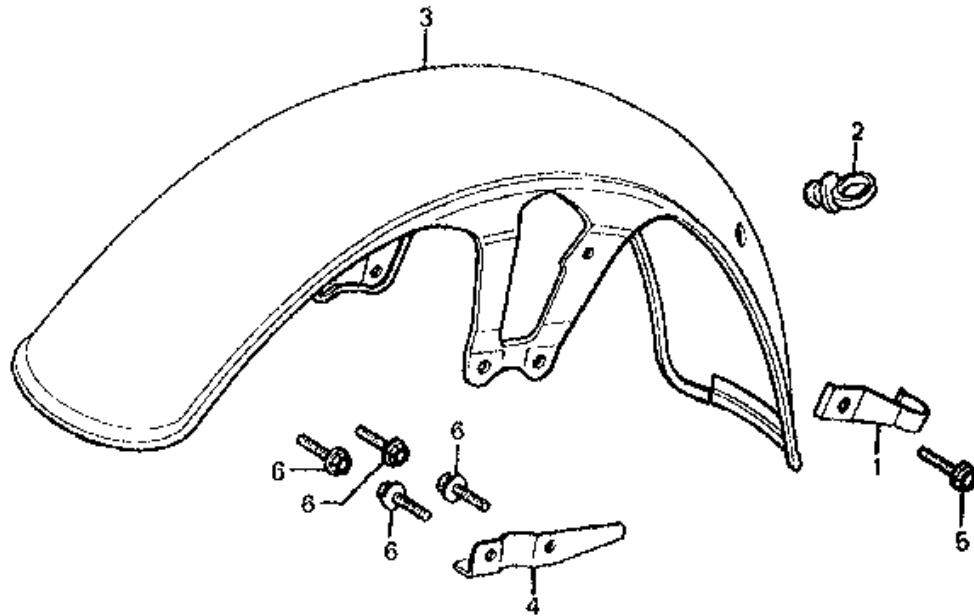
Exhaust System



REF#	PART		#REQ
01	JOINT, EX. PIPE	18231-415-000	002
02	GASKET, EX. PIPE	18291-286-306	
		(replaces 18291-286-000)	002
03	GASKET, PROTECTOR	18292-MM9-740	
		(replaces 18292-415-000)	
		(replaces 18292-KF9-900)	008
04	PRE CHAMBER	18310-449-000	
		(replaces 18310-449-610)	001
05	PROTR, R. CHAMBER	18315-449-000	001
06	STAY, R. MUFFLER	18318-449-000	001
07	PROTR, R. MUFFLER	18320-449-610	
		(replaces 18320-449-000)	001
08	MUFFLER, R.	18330-449-677	
		(replaces 18330-449-672)	001
09	BAND, R. MUFFLER	18373-449-000	001
10	BAND, L. MUFFLER	18374-449-000	001
11	BAND, R. RR. MUFFLER	18375-449-000	001
12	BAND, L. RR. MUFFLER	18376-449-000	001
13	GASKET, MUFFLER	18391-438-306	
		(replaces 18391-438-000)	002
14	GASKET, RR. MUFFLER	18392-MJ4-670	
		(replaces 18392-449-000)	002
15	PROTR, L. CHAMBER	18415-449-000	001
16	STAY, L. MUFFLER	18418-449-000	001
17	PIPE, L. EX.	18420-449-610	
		(replaces 18420-449-000)	001
18	MUFFLER, L.	18430-449-677	
		(replaces 18430-449-672)	001
19	SCREW-WASHER	90136-415-750	004
20	NUT, FLANGE (6MM)	94050-06000	004
21	NUT, FLANGE (8MM)	94050-08080	005
23	RUBBER D	95011-64000	001
24	BOLT, FLANGE (8X16)	95701-08016-08	
		(replaces 95700-08016-08)	
		(replaces 95900-08016-08)	

		(replaces 95900-08016-0B)	
		(replaces 96500-08016-08)	002
25	BOLT, FLANGE (8X37)	90118-471-000	004
26	BOLT, FLANGE (8X40)	95701-08040-08	
		(replaces 95700-08040-08)	001

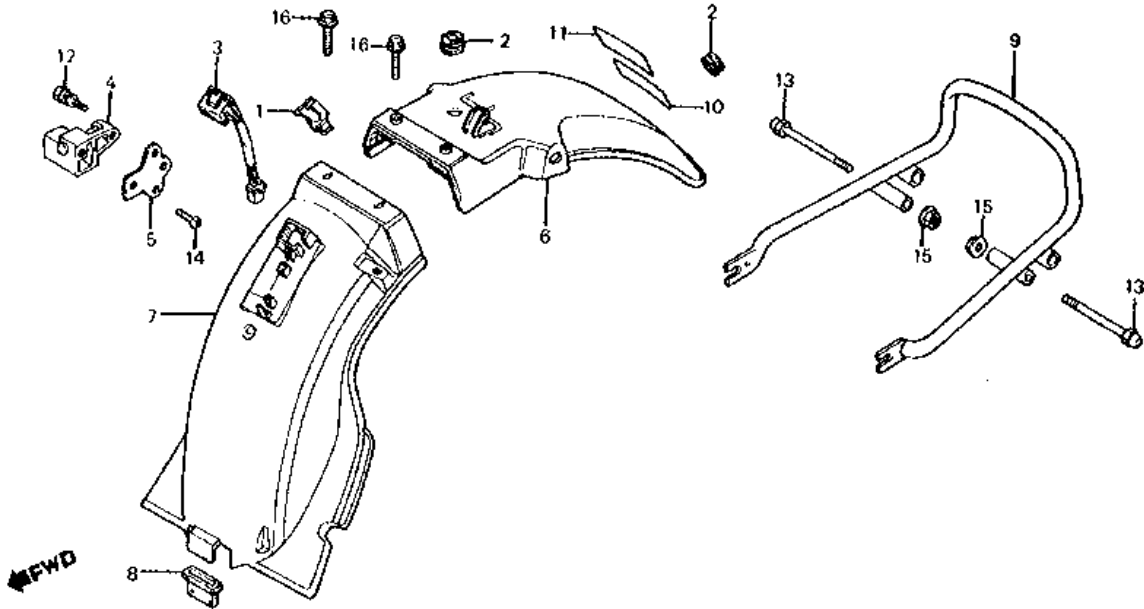
Fender, Front



← FWD

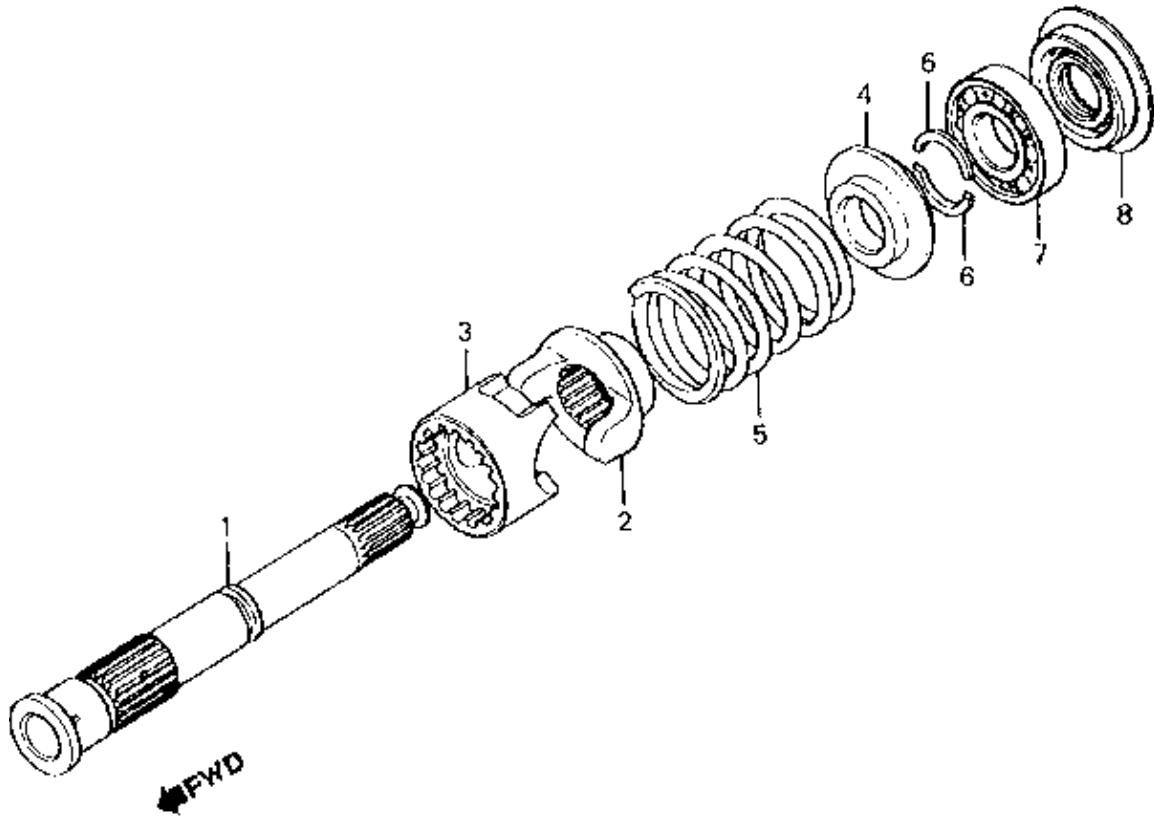
REF#	PART		#REQ
01	CLAMP A, BRAKE HOSE	45417-449-750	001
02	GROMMET, CABLE	45451-471-000	001
03	FENDER, FR.	61100-449-750	001
04	GUIDE, L. FR. FENDER	61102-449-830	001
05	BOLT, FLANGE (6X10)	95701-06010-00	
	(replaces	95700-06010-00)	001
06	BOLT, FLANGE (6X16)	95701-06016-08	
	(replaces	95700-06016-08)	
	(replaces	95900-06016-08)	004

Fender, Rear



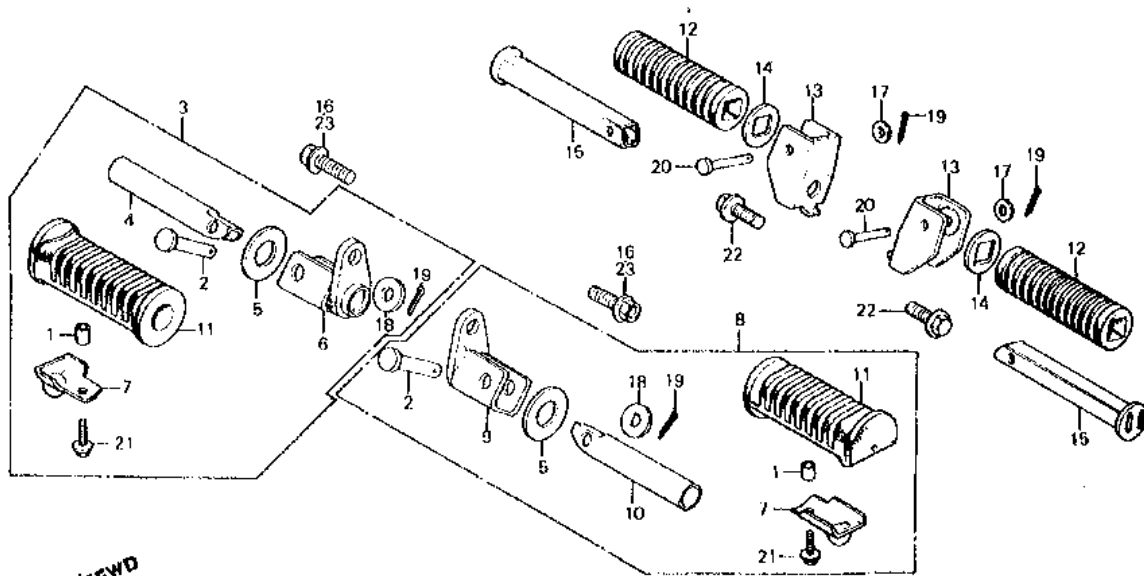
REF#	PART		#REQ
01	CLIP, WIRE HARNESS	32161-393-003	001
02	GROMMET, HARN	32983-011-000	002
03	WARNING ASSY., STOP	38570-426-772	
	(replaces	38570-426-771)	001
04	HOLDER ASSY., HELMET	50710-086-007	
	(replaces	50710-371-007)	001
05	PLATE, HELMET HOLDER	50715-449-000	001
06	FENDER, RR.	80100-449-000	001
07	FENDER B, RR.	80105-449-830	001
08	RUB, FENDER CUSHION	80115-415-000	001
09	BUMPER, RR.	84101-449-670	001
10	MARK, TIRE CAUTION	87505-449-750	001
11	MARK	87512-447-630	001
12	BOLT	90107-449-000	002
13	BOLT, CAP (8X80)	92600-08080-0B	002
14	SCREW, PAN (6X8)	93500-06008-0H	
	(replaces	90053-371-980)	
	(replaces	93500-06008-1H)	002
14	SCREW, PAN (6X8)	93500-06008	002
14	SCREW, PAN (6X8)	93500-06008-0A	002
15	NUT, FLANGE (8MM)	94050-08080	002
16	BOLT, FLANGE (6X16)	95701-06016-08	
	(replaces	95700-06016-08)	
	(replaces	95900-06016-08)	002

Final Shaft



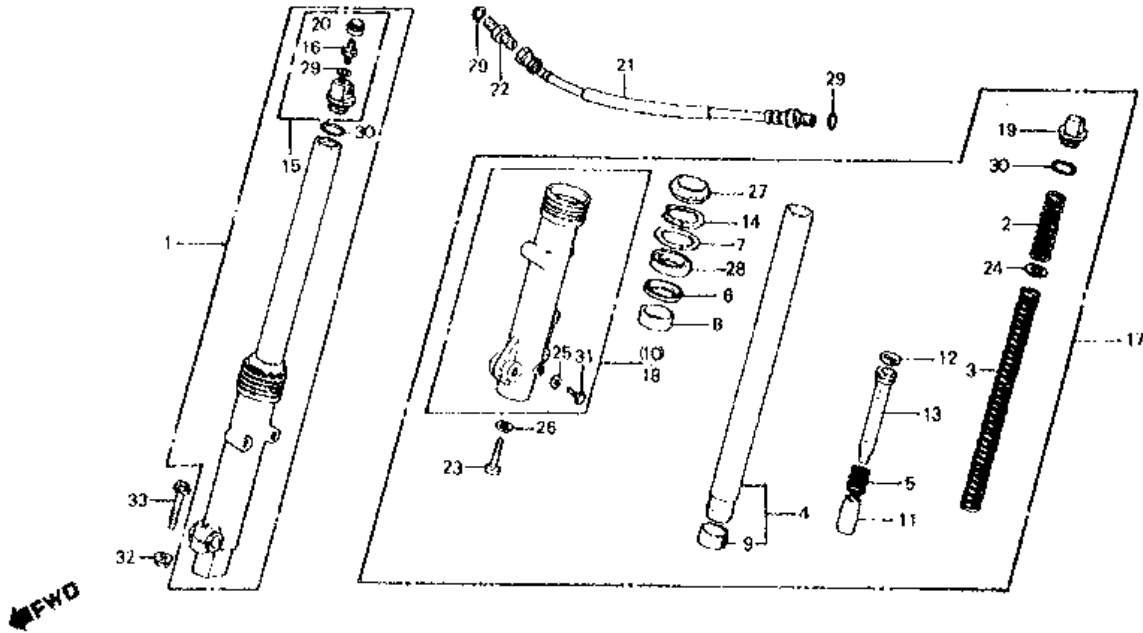
REF#	PART		#REQ
01	SHAFT, FINAL	23521-415-000	001
02	LIFTER, DAMPER	23721-MA1-000	001
03	CAM, DAMPER	23722-MA1-000	001
04	STOPPER	23731-371-000	001
05	SPRING, DAMPER	23732-MA1-000	001
06	WASHER	23733-371-000	002
07	BEARING (62/22)	91002-PL0-018	
		(replaces 91002-PL0-008)	
		(replaces 91005-634-004)	
		(replaces 91005-634-008)	
		(replaces 91005-657-003)	
		(replaces 91005-657-004)	
		(replaces 91005-657-008)	001
08	OIL SEAL (22X36X7)	91202-MC7-000	
		(replaces 91202-415-003)	
		(replaces 91202-415-004)	001

Footpegs



REF#	PART		#REQ
01	COLLAR	37243-323-000	002
02	PIN, STEP BAR JOINT	50603-033-010	002
		(replaces 50603-033-000)	
03	STEP ASSY., R.	50610-449-830	001
04	BAR, R. FOOTPEG	50612-413-000	001
05	WASHER, MAIN FOOTPEG	50614-413-000	002
06	ARM, R. STEP	50615-449-000	001
07	STOPPER, STEP RUBBER	50619-425-010	002
08	STEP ASSY., L.	50620-449-830	001
09	ARM, L. STEP	50625-449-000	001
10	BAR, L. FOOTPEG	50643-413-000	001
11	RUBBER, FOOTPEG	50661-425-670	002
12	RUB, PILLION FOOTPEG	50716-371-660	002
		(replaces 50710-377-000)	
13	BRACKET	50711-415-010	002
14	WASHER	50712-413-000	002
15	BAR, PILLION FOOTPEG	50715-413-000	002
16	BOLT, SOCKET (10X25)	90117-ME8-000	002
		(replaces 90117-449-000)	
17	WASHER, PLAIN (6MM)	94101-06800	002
		(replaces 94101-06000)	
		(replaces 94101-06080)	
18	WASHER, PLAIN (8MM)	94101-08000	002
19	PIN, COTTER (1.6X25)	94201-16250	002
		(replaces 94201-16150)	
20	PIN B	95015-82000	002
21	BOLT, HEX. (6X16)	92101-06016-0A	002
		(replaces 92000-06016-0A)	
		(replaces 92000-06016-1A)	
		(replaces 92100-06016-0A)	
		(replaces 92200-06016-0A)	
22	BOLT, FLANGE (10X20)	95701-10020-08	002
		(replaces 95700-10020-08)	
		(replaces 95701-10020-18)	

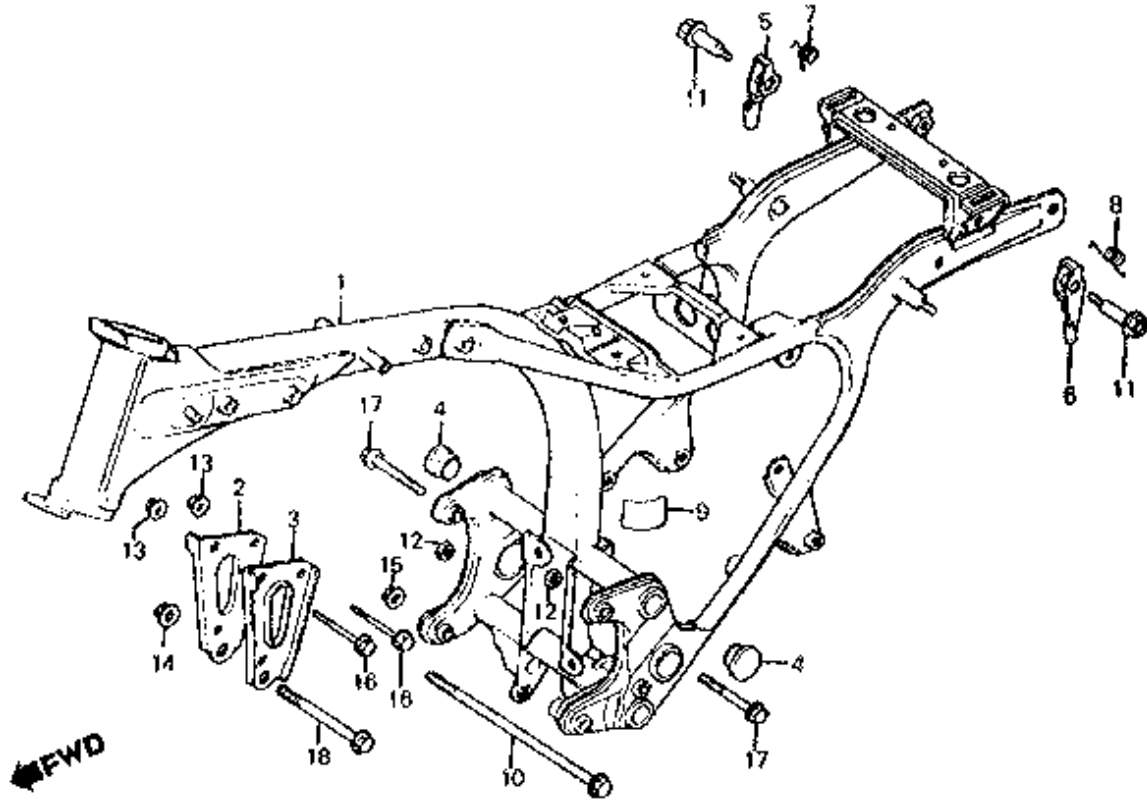
Forks



REF#	PART		#REQ
01	FORK ASSY., R. FR.	51400-449-751	001
02	SPRING A, FR. FORK	51401-449-751	002
03	SPRING B, FR. FORK	51402-449-751	002
04	PIPE, FR. FORK	51410-449-751	002
05	SPRING, FR.	51412-340-000	002
06	RING, BACK-UP	51412-422-003	
		(replaces 51412-422-405)	
		(replaces 51412-428-305)	
		(replaces 51412-428-315)	002
07	PLATE, BACK-UP	51413-469-003	002
08	BUSH, GUIDE	51414-469-003	002
09	BUSH, SLIDER	51415-469-003	002
10	CASE, R. (LOWER)	51421-449-751	001
11	PIECE, OIL LOCK	51432-461-771	001
12	RING, PISTON	51437-400-771	002
13	PIPE, SEAT	51440-449-751	002
14	CIRCLIP (51.5MM)	51447-469-003	002
15	BOLT ASSY., FR. FORK	51450-449-751	001
16	VALVE, AIR	51456-469-013	001
17	FORK ASSY., L. FR.	51500-449-751	001
18	CASE, L. (LOWER)	51521-449-751	001
19	BOLT, L. FR. FORK	51555-449-751	001
20	CAP, AIR VALVE	52425-381-771	001
21	HOSE, FR. FORK JOINT	53137-449-751	001
22	CONNECTOR	53139-463-000	001
23	BOLT, SOCKET (8X27)	90116-383-721	
		(replaces 90116-283-010)	002
24	WASHER (16MM)	90504-356-000	002
25	GASKET, FR.	90543-273-000	002
26	WASHER (8MM)	90544-283-000	002
27	DUST SEAL (35MM)	91254-434-003	002
28	OIL SEAL (35X48X11)	91255-KBH-003	
		(replaces 91255-434-013)	
		(replaces 91255-MA6-013)	002
29	O-RING (5.8X1.9)	91305-323-000	

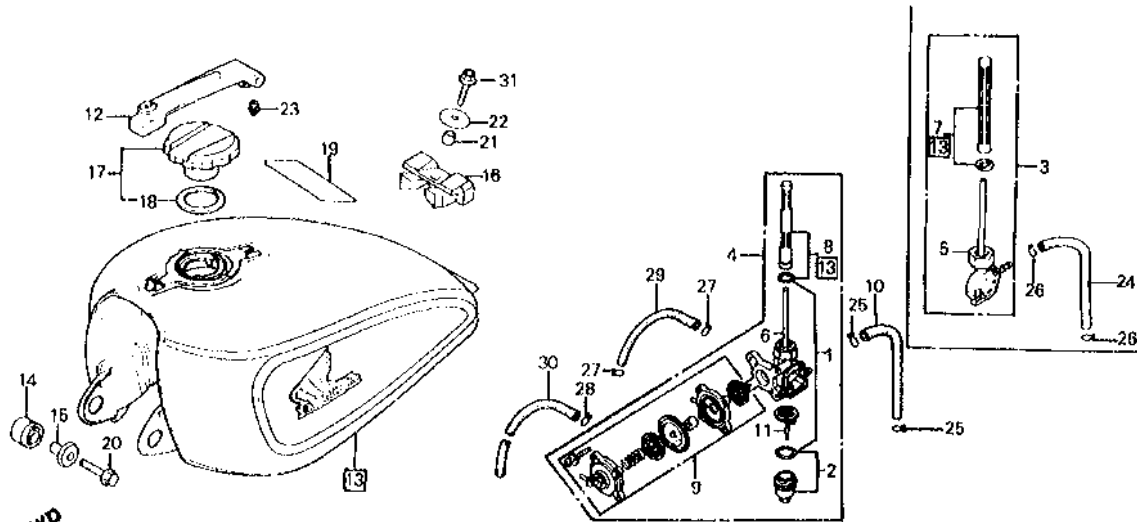
		(replaces 91301-469-003)	003
29	O-RING (5.6X1.9)	91318-ME5-003	003
30	O-RING (25.7X2.8)	91356-428-003	002
31	BOLT, HEX. (6X8)	92101-06008-0A	
		(replaces 92000-06008)	
		(replaces 92000-06008-0A)	002
32	NUT, FLANGE (8MM)	94050-08000	001
33	BOLT, FLANGE (8X50)	95701-08050-00	
		(replaces 95700-08050-00)	001

Frame



REF#	PART	#REQ
01	FRAME *NH1*	50100-449-750ZA 001
04	CAP	52161-051-000
	(replaces 52161-051-000B)	002
09	MARK	87506-449-750 001
10	BOLT, FLG (12X308)	90110-415-000 001
12	NUT, HEX. (10MM)	94030-10000 002
15	NUT, FLANGE (12MM)	94050-12000 001
17	BOLT, FLANGE (10X70)	95801-10070-00
	(replaces 95800-10070-00)	002

Fuel Tank & Petcock



←FWD

REF#	PART		#REQ
01	O-RING	16080-471-831	001
02	CUP, FUEL STRAINER	16081-471-831	001
04	PETCOCK ASSY.	16950-449-841	001
06	BODY, PETCOCK	16951-MA1-732	
	(replaces	16951-MA1-731)	001
08	SCREEN SET	16952-449-751	001
09	COVER SET, PETCOCK	16953-ME5-005	
	(replaces	16953-449-751)	001
10	TUBE, FUEL	16956-449-750	001
11	FILTER, CUP	16959-461-751	001
12	LID, FUEL TANK	17530-443-305	
	(replaces	17530-422-017)	
	(replaces	17530-443-611)	
	(replaces	17530-443-612)	001
13	TANK, FUEL *R104CU*	175A1-449-840ZA	001
13	TANK, FUEL *B100MU*	175A1-449-840ZB	001
14	RUBBER, FR. TANK	17611-449-010	002
15	COLLAR, FR.	17612-449-000	002
16	RUB, RR. FUEL TANK	17613-449-010	001
17	CAP, FUEL FILLER	17620-469-000	001
18	GASKET	17632-176-771	
	(replaces	17632-469-000)	001
19	LABEL *NH0* (TYPEW)	87560-181-760ZB	001
20	BOLT, FLANGE (8X36)	90111-362-000	002
21	COLLAR (8MM)	90324-300-000	001
22	WASHER (8.3MM)	90534-011-000	001
23	SCREW-WASHER (4X6)	93892-04006-08	002
25	CLIP, TUBE (B7)	95002-02070	002
27	CLIP, TUBE (B12)	95002-02120	002
28	CLIP, TUBE (C6.5)	95002-35000	001
29	BULK HOSE (3.5X1000)	95005-35001-20M	001
30	BULK HOSE (3.5X1000)	95005-35001-30M	001
31	BOLT, FLANGE (8X28)	95701-08028-08	
	(replaces	95700-08028-08)	001

Gasket Kit A

(Image Not Available)

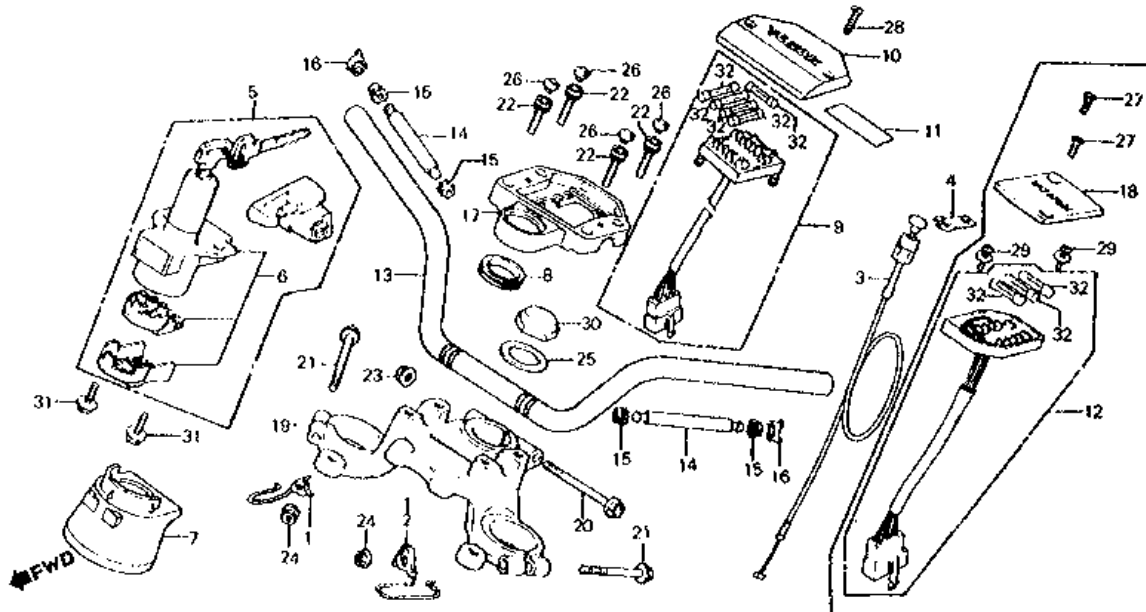
REF#	PART		#REQ
01	SEAL, VALVE STEM	12209-MB9-003	
		(replaces 12209-300-003)	008
02	GASKET	12230-415-306	
		(replaces 12230-449-700)	001
03	GASKET, CYL HD	12251-415-306	
		(replaces 12251-415-014)	
		(replaces 12251-415-024)	
		(replaces 12251-415-034)	001
04	GASKET, HEAD COVER	12328-415-000	002
05	GASKET, PLUG HOLE	12329-415-000	002
06	GASKET, EX. PIPE	18291-286-306	
		(replaces 18291-286-000)	002
07	O-RING (6.9X1.5)	91302-044-013	002
08	O-RING (21.9X2.3)	91301-MB6-003	
		(replaces 91302-371-013)	
		(replaces 91302-371-023)	005
09	O-RING (53.8X3.1)	91302-657-000	001
10	O-RING (13.5X1.4)	91307-PH7-660	
		(replaces 91307-611-000)	001
11	O-RING (6.5X3.1)	91312-415-000	001
12	O-RING (40X2.4)	91325-413-830	
		(replaces 91325-567-005)	001
13	O-RING (23X2.8)	94608-50000	002

Gasket Kit B

(Image Not Available)

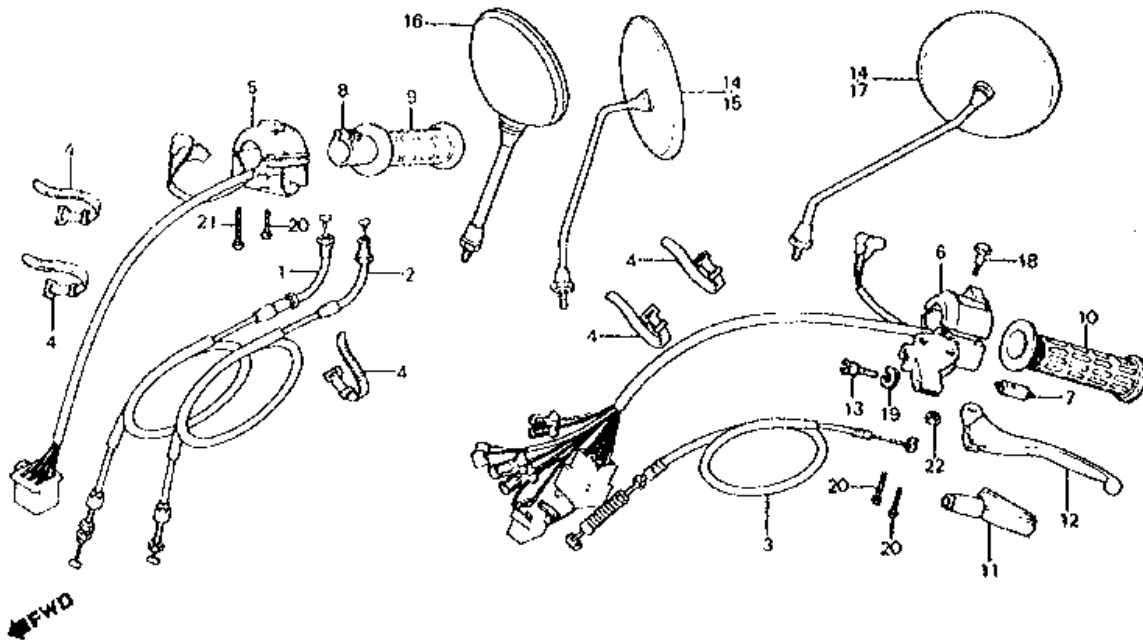
REF#	PART		#REQ
01	GASKET, CLUTCH COVER	11372-449-306	
		(replaces 11372-449-700)	001
02	GASKET, TRANS CVR	11391-449-306	
		(replaces 11391-449-700)	001
03	GASKET, RR. COVER	11394-449-306	
		(replaces 11394-449-701)	001
04	GASKET	11396-415-000	001
06	O-RING (11.8X2.4)	91302-ZE9-003	
		(replaces 16997-357-003)	
		(replaces 91302-ZE9-000)	
		(replaces 91320-HA5-000)	
		(replaces 91320-HA5-003)	002
06	O-RING (11.8X2.4)	91320-MJ6-003	002
07	GASKET A	30373-MA1-306	
		(replaces 30373-MA1-000)	001
08	O-RING (22X3.0)	91307-425-003	
		(replaces 91301-250-000)	001
09	O-RING (13.6X2.4)	91301-268-020	003
10	O-RING (27.5X2.6)	91302-001-710	001
11	O-RING (15X2.5)	91302-377-000	002
12	O-RING (8X1.7)	91306-HB3-003	
		(replaces 91303-001-000)	001
13	O-RING (24.4X3.1)	91312-MG7-003	
		(replaces 91309-300-000)	
		(replaces 91309-425-003)	001
14	O-RING (81X4.5)	91315-MA6-003	
		(replaces 91311-415-000)	001
15	O-RING (23X2.8)	94608-50000	002

Handlebar & Top Bridge & Fuse Panel & Lockset



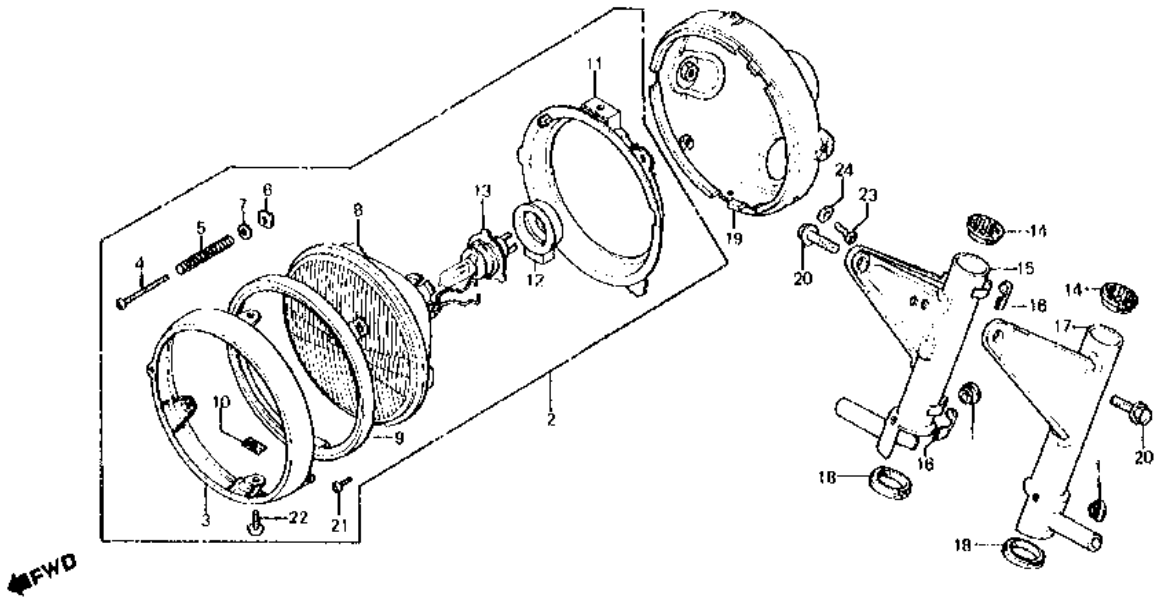
REF#	PART		#REQ
01	GUIDE, R. CABLE	17908-MA1-000	001
02	GUIDE, L. CABLE	17918-MA1-000	001
03	CABLE, CHOKE	17950-415-000	001
04	BRACKET, CHOKE CABLE	17951-449-830	001
05	LOCK SET	35010-449-841	001
06	SWITCH, COMBINATION	35100-431-047	001
07	COVER	35105-449-000	001
08	RUBBER	37623-415-000	001
09	PLATE ASSY., FUSE	38200-449-505	
	(replaces	38200-425-405)	
	(replaces	38200-449-830)	001
10	COVER, FUSE PLATE	38210-449-830	001
11	LABEL, FUSE	38215-425-000	001
13	HANDLEBAR	53100-415-770	001
13	HANDLEBAR	53100-449-830	001
14	WEIGHT, HANDLEBAR	53105-449-830	002
15	RUBBER	53107-425-000	004
16	RING	53108-MK4-000	
	(replaces	53108-415-004)	002
17	HLDR, HANDLE (UPPER)	53131-449-830	001
19	BRIDGE *NH105*	53230-449-750ZA	001
21	BOLT, FLANGE (7X54)	90155-369-000	002
22	BOLT (8X32)	90185-371-000	004
24	NUT, FLANGE (7MM)	90355-369-000	002
25	WASHER	90503-425-000	001
28	SCREW, OVAL (5X20)	93700-05020-0G	002
29	SCREW-WASHER (4X12)	93891-04012-00	002
30	NUT, STEERING STEM	90304-425-000	001
31	BOLT, FLANGE (6X14)	95701-06014-00	
	(replaces	95700-06014-00)	002
32	FUSE B (10A)	98200-21000	005

Handlebar Controls & Mirrors



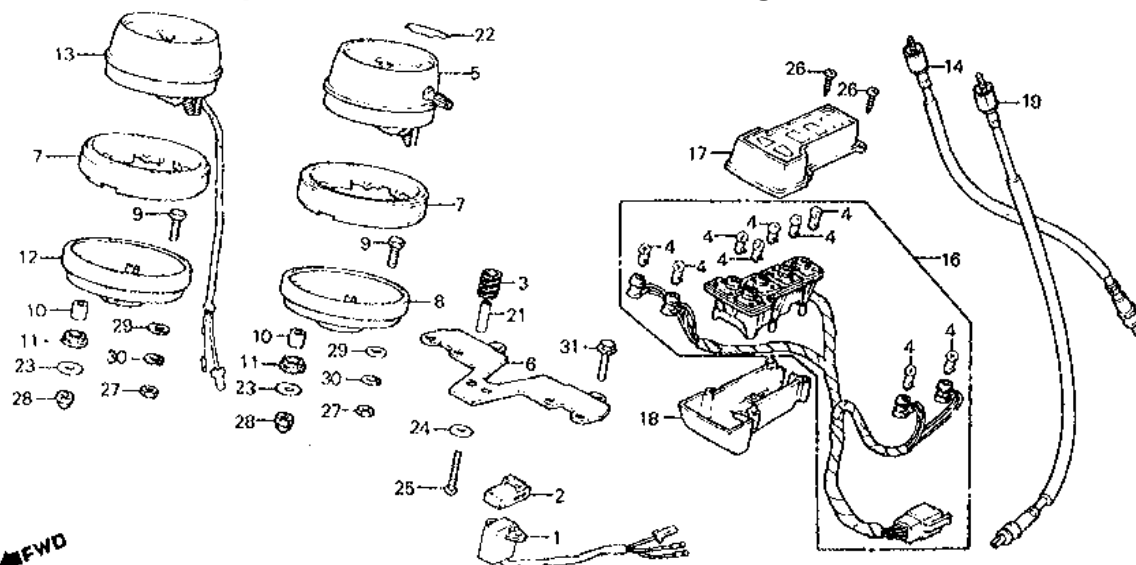
REF#	PART		#REQ
01	CABLE A, THROTTLE	17910-449-830	001
02	CABLE B, THROTTLE	17920-449-830	001
03	CABLE, CLUTCH	22870-449-830	001
04	BAND B1, CABLE	32161-404-000	005
05	SWITCH, STARTER STOP	35150-449-840	001
06	SW,ASSY WINKER	35200-449-406	
	(replaces	35200-449-840)	001
07	SWITCH, FR. LEVER	35330-413-003	001
08	PIPE, THROTTLE GRIP	53141-300-010	001
09	GRIP, R. HANDLEBAR	53165-419-670	001
10	GRIP, L. HANDLEBAR	53166-419-670	001
11	COVER, L.	53172-402-700	001
12	LEVER, L. HANDLEBAR	53178-399-700	
	(replaces	53190-443-610)	001
13	BOLT, CABLE ADJ.	53192-268-000	001
16	MIRROR	88110-449-830	002
18	BOLT	90114-310-000	001
19	NUT, FIXING	90321-315-670	
	(replaces	90321-968-000)	001
20	SCREW, PAN (5X25)	93500-05025-0A	003
21	SCREW, PAN (5X35)	93500-05035-0A	001
22	NUT, HEX. (6MM)	94001-06200-0S	
	(replaces	90310-KA3-711)	
	(replaces	94000-06000-0S)	
	(replaces	94001-06000)	
	(replaces	94001-06000-0S)	
	(replaces	94001-06008-0S)	
	(replaces	94030-06000)	001

Headlight



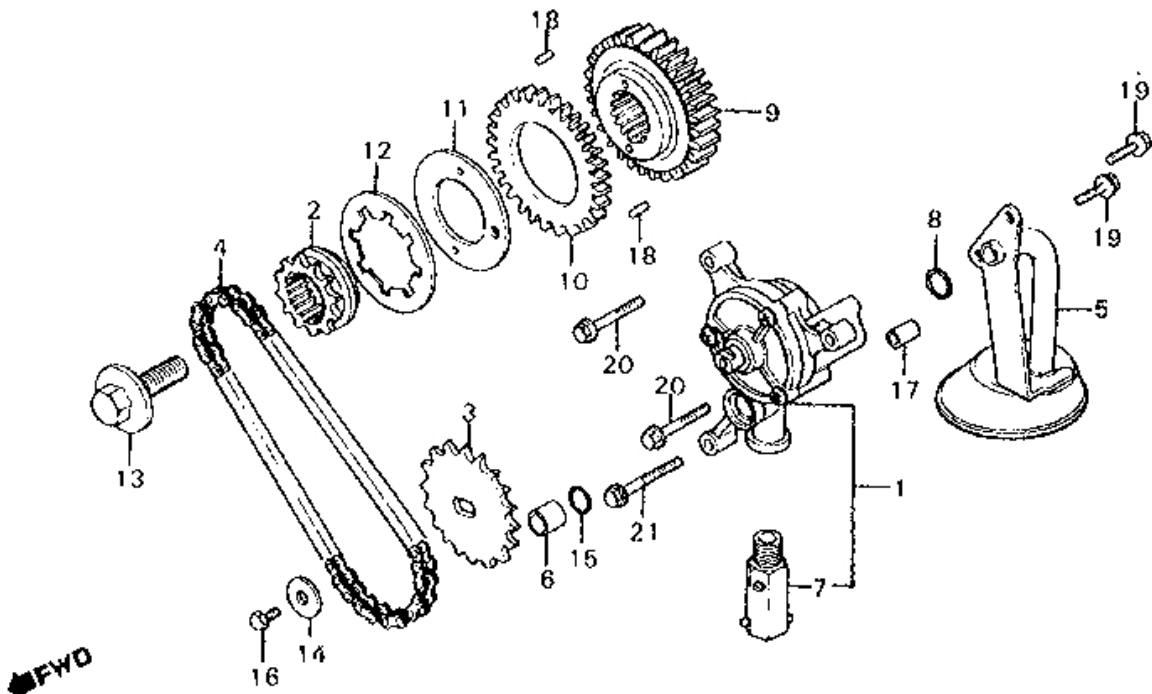
REF#	PART		#REQ
01	GROMMET, HARN	32983-011-000	002
02	HEADLIGHT ASSY.	33100-431-671	001
03	RIM, HEADLIGHT	33101-405-671	001
04	SCREW	33103-346-670	001
05	SPRING	33107-300-003	001
06	NUT	33117-001-003	001
07	WASHER	33119-371-003	001
08	HEADLIGHT UNIT	33120-431-671	001
09	RING, RETAINING	33121-405-671	001
10	NUT, UNIT HOLDER	33128-292-670	002
11	RING, SETTING	33153-375-671	001
12	COVER, BULB	33180-371-601	001
13	BULB (12V60/55W)	34901-MC7-601AH	
	(replaces	34901-371-601)	
	(replaces	34901-MC7-601)	001
14	CUSHION, FORK COVER	51601-449-750	002
15	COVER, R. FR. FORK	51602-449-840	001
17	COVER, L. FR. FORK	51606-449-840	001
18	RUBBER B, FORK COVER	51622-449-750	002
19	CASE, HEADLIGHT	61301-371-003	001
20	BOLT	90151-449-000	002
21	SCREW, PAN (3X8)	93500-03008-0A	
	(replaces	93500-03008-1A)	002
22	SCREW, PAN (5X8)	93500-05008-0H	002
23	SCREW, PAN (5X16)	93500-05016-0B	003
24	WASHER, SPRING (5MM)	94111-05000	003

Instruments: Speedometer & Tachometer & Lights



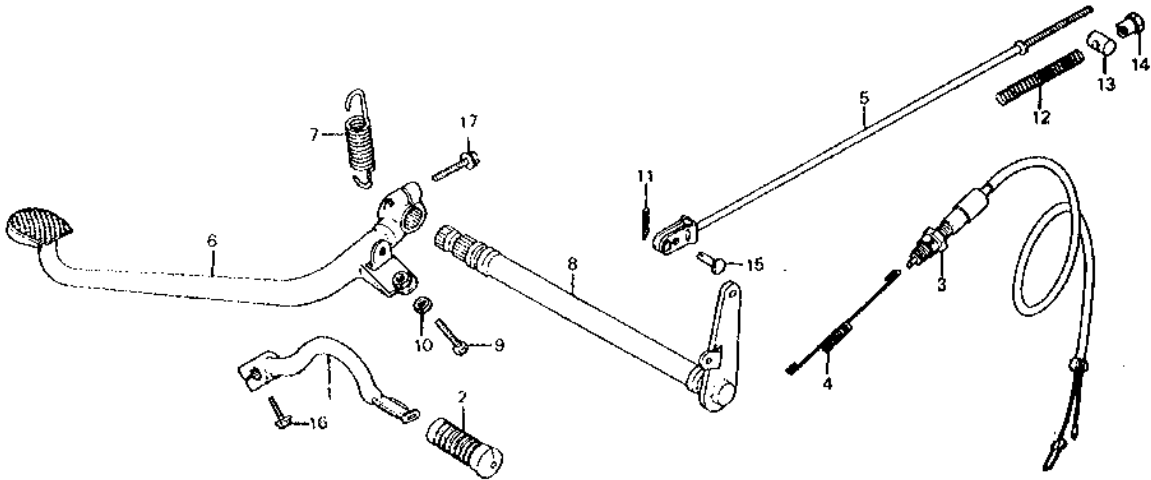
REF#	PART		#REQ
01	REGULATOR (7V)	31410-449-018	001
02	SUSPENSION	31412-449-000	001
03	GROM, METER BRACKET	32702-392-700	002
04	BULB (12V3.4W2CP)	37237-SA5-003	
	(replaces 34908-GA7-701)		
	(replaces 37102-567-009)		
	(replaces 37237-SA5-004)		009
05	SPEEDOMETER ASSY.	37200-449-752	001
06	BRACKET, METER	37211-449-000	001
07	RUBBER, SPEEDOMETER	37235-323-700	002
08	PLATE, SPEEDOMETER	37236-426-000	001
09	BOLT (6MM)	37238-323-700	004
10	COLLAR	37243-323-700	004
11	RUB, METER SETTING	37244-307-670	004
12	PLATE, TACHOMETER	37246-426-000	001
13	TACHOMETER ASSY.	37250-449-750	001
14	CABLE, TACHOMETER	37260-449-840	001
16	SOCKET ASSY., RUBBER	37619-449-841	001
17	CASE, PILOT (UPPER)	37620-415-881	001
18	CASE, PILOT (LOWER)	37621-449-008	001
19	CABLE, SPEEDOMETER	44830-MB7-611	
	(replaces 44830-449-840)		
	(replaces 44830-MB7-610)		001
21	COLLAR	84706-375-000	002
22	LABEL	87523-413-710	001
23	WASHER (6.5X18)	90545-323-700	004
24	WASHER (20MM)	90581-310-000	002
24	WASHER (20MM)	90581-342-000	002
25	SCREW, PAN (5X28)	93500-05028-0A	002
26	SCREW, TAP (4X12)	93901-34380	004
27	NUT, HEX. (6MM)	94001-06070-0S	004
28	NUT, CAP (6MM)	94021-06020	
	(replaces 94021-06020-0S)		
	(replaces 94022-06020)		004
29	WASHER, PLAIN (6MM)	94101-06700	004
30	WASHER, SPRING (6MM)	94111-06700	004
31	BOLT, FLANGE (6X20)	95701-06020-07	
	(replaces 95700-06020-07)		002

Oil Pump & Primary Drive Gear



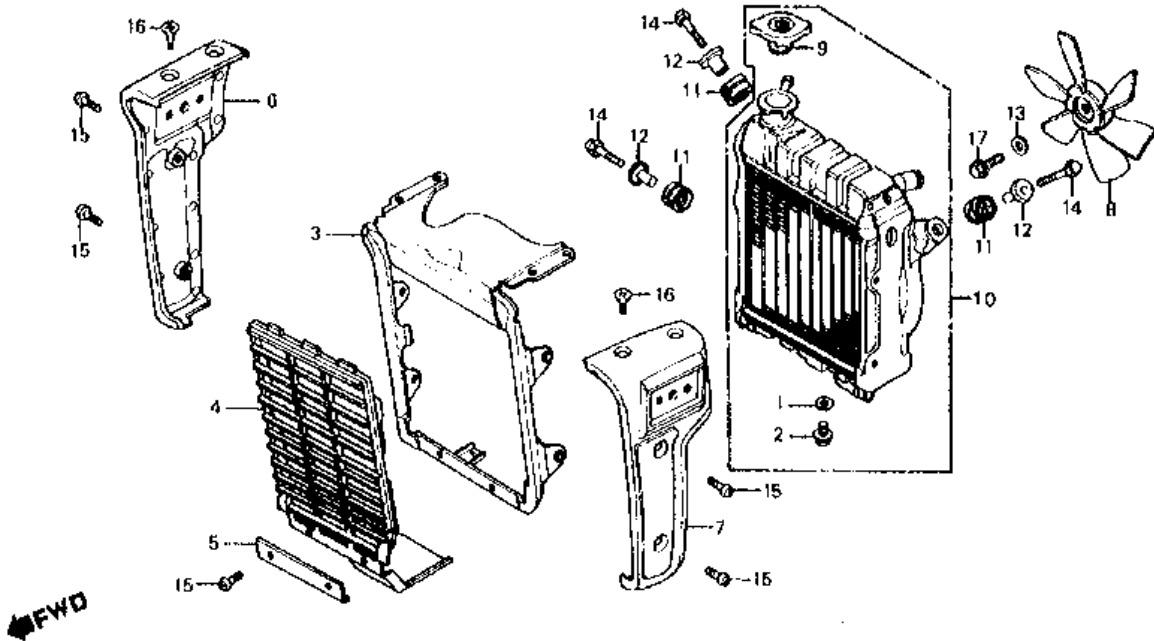
REF#	PART		#REQ
01	PUMP ASSY., OIL	15100-MA1-000	001
02	SPROCKET	15115-415-000	001
03	SPROCKET	15116-415-000	001
04	CHAIN, OIL PUMP	15140-415-003	001
05	BODY, OIL STRAINER	15141-MA1-000	001
06	COLLAR, O-RING	15155-300-000	001
07	VALVE ASSY., RELIEF	15220-415-000	001
08	O-RING (15X2.5)	91302-377-000	001
09	GEAR (33T)	23121-449-000	001
10	SUB-GEAR (32T)	23122-415-000	001
11	PLATE, SIDE	23123-415-000	001
12	SPRING, DISK	23124-MA1-000	001
13	BOLT, UBS (12X28)	90013-415-000	001
14	WASHER	90486-028-000	001
15	O-RING (13.6X2.4)	91301-268-020	001
16	BOLT, HEX. (6X8)	92101-06008-0A	
	(replaces 92000-06008)		
	(replaces 92000-06008-0A)		001
17	PIN, DOWEL (8X14)	94301-08140	001
18	PIN, DOWEL (3X5)	94302-03050	002
19	BOLT, FLANGE (6X14)	95701-06014-00	
	(replaces 95700-06014-00)		002
20	BOLT, FLANGE (6X25)	95701-06025-00	
	(replaces 95700-06025-00)		002
21	BOLT, FLANGE (6X32)	95701-06032-00	
	(replaces 95700-06032-00)		001

Pedal, Brake & Shift Pedal



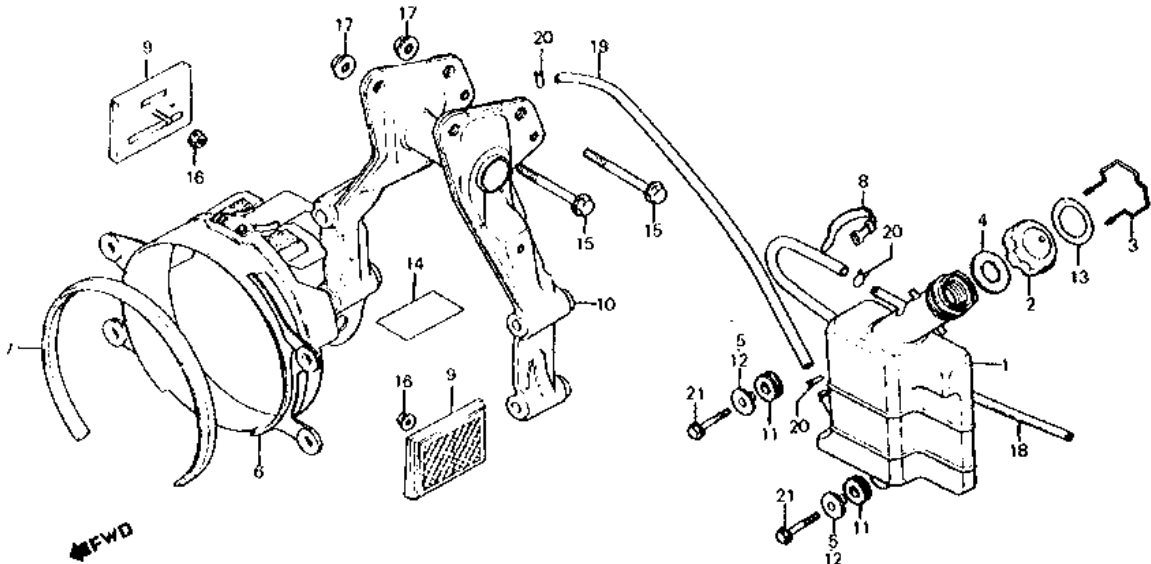
REF#	PART		#REQ
01	PEDAL, GEARSHIFT	24700-MA1-000	001
02	RUBBER, GEARSHIFT	24781-449-000	001
03	SWITCH, RR. STOP	35350-415-405	
	(replaces	35350-415-000)	001
04	SPRING, STOP SWITCH	35357-415-000	001
05	ROD, RR. BRAKE	43451-415-750	001
06	PEDAL, BRAKE	46500-449-000	001
07	SPRING, RR. BRAKE	46514-415-000	001
08	SHAFT, RR.	46515-449-000	001
09	BOLT, HEX. (6X35)	92035-06035-0H	001
10	NUT, HEX. (6MM)	94001-06200-0S	
	(replaces	90310-KA3-711)	
	(replaces	94000-06000-0S)	
	(replaces	94001-06000)	
	(replaces	94001-06000-0S)	
	(replaces	94001-06008-0S)	
	(replaces	94030-06000)	001
11	PIN, SPLIT (1.6X12)	94201-16120	001
12	SPRING A, BRAKE ROD	95014-73100	001
13	JOINT, BRAKE ARM	95015-32001	001
14	NUT B	95015-42000	001
15	PIN B	95015-52000	001
16	BOLT, FLANGE (6X20)	95701-06020-00	
	(replaces	95700-06020-00)	001
17	BOLT, FLANGE (8X28)	95701-08028-00	
	(replaces	95700-08028-00)	001

Radiator & Cooling Fan & Grille



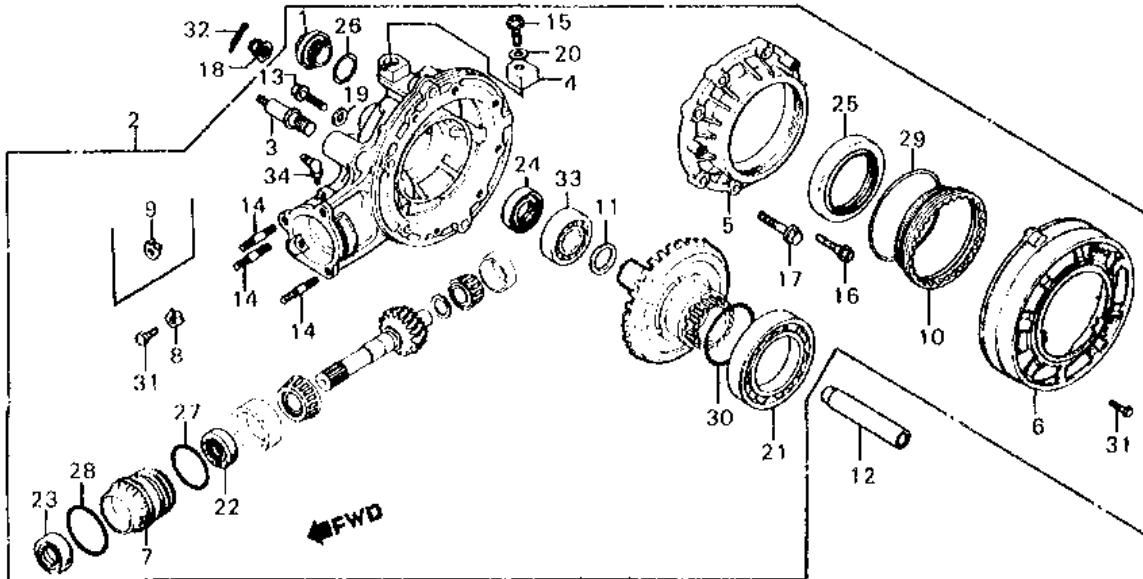
REF#	PART		#REQ
01	GASKET, DRAIN	19012-ZB5-003 (replaces 19012-611-003) (replaces 19012-PA0-003)	001
02	VALVE, DRAIN	19013-415-004	001
03	COVER, RADIATOR	19031-470-670	001
04	GRILLE, RADIATOR	19032-449-000	001
05	COVER, RADIATOR	19033-470-670	001
06	PLATE, R.	19035-449-000	001
07	PLATE, L.	19036-449-000	001
08	FAN, COOLING	19040-MA1-000	001
09	CAP, RADIATOR	19045-692-003 (replaces 19045-449-770) (replaces 19045-634-003) (replaces 19045-PA0-014)	001
10	RADIATOR ASSY.	19110-449-771	001
11	RUBBER	19115-415-000	003
12	COLLAR	19119-449-000	003
13	WASHER (8.5X22X2.3)	90509-642-000	001
14	BOLT, CAP (6X32)	92600-06032-0B	003
15	SCREW, PAN (6X12)	93500-06012-0B	006
16	SCREW, FLAT (6X12)	93600-06012-0B	004
17	BOLT, FLANGE (8X25)	95701-08025-00 (replaces 95700-08025-00)	001

Radiator Shroud & Coolant Reserve Tank & Engine Hangers



REF#	PART		#REQ
01	TANK, RESERVE	19103-449-830	001
02	CAP, RESERVE TANK	19104-415-000	001
03	CABLE, CAP LOCK	19105-415-000	001
04	GASKET, RESERVE TANK	19106-415-000	001
06	SHROUD, RADIATOR	19113-415-020	
	(replaces	19113-415-010)	001
07	GASKET	19114-415-000	001
08	BAND B1, CABLE	32161-404-000	001
09	REFLECTOR, FR.	33741-449-000	002
10	BRACKET, FR. ENG HGR	50310-415-000	001
11	RUBBER, FR.	61103-357-000	002
12	COLLAR, FR. FENDER	61104-428-000	
	(replaces	61104-357-000)	002
12	COLLAR, RR. FENDER	61105-428-000	002
13	LABEL, RESERVE TANK	87507-415-670	001
14	MARK	87508-415-670	001
15	BOLT, FLG (10X117)	90120-449-770	002
16	NUT, FLANGE (6MM)	94050-06080	002
17	NUT, FLANGE (10MM)	94050-10000	002
18	BULK HOSE (7.5X8000)	95001-75008-60M	001
19	BULK HOSE (7.5X8000)	95001-75008-60M	001
20	CLIP, TUBE (B12)	95002-02120	003
21	BOLT, FLANGE (6X20)	95701-06020-00	
	(replaces	95700-06020-00)	002

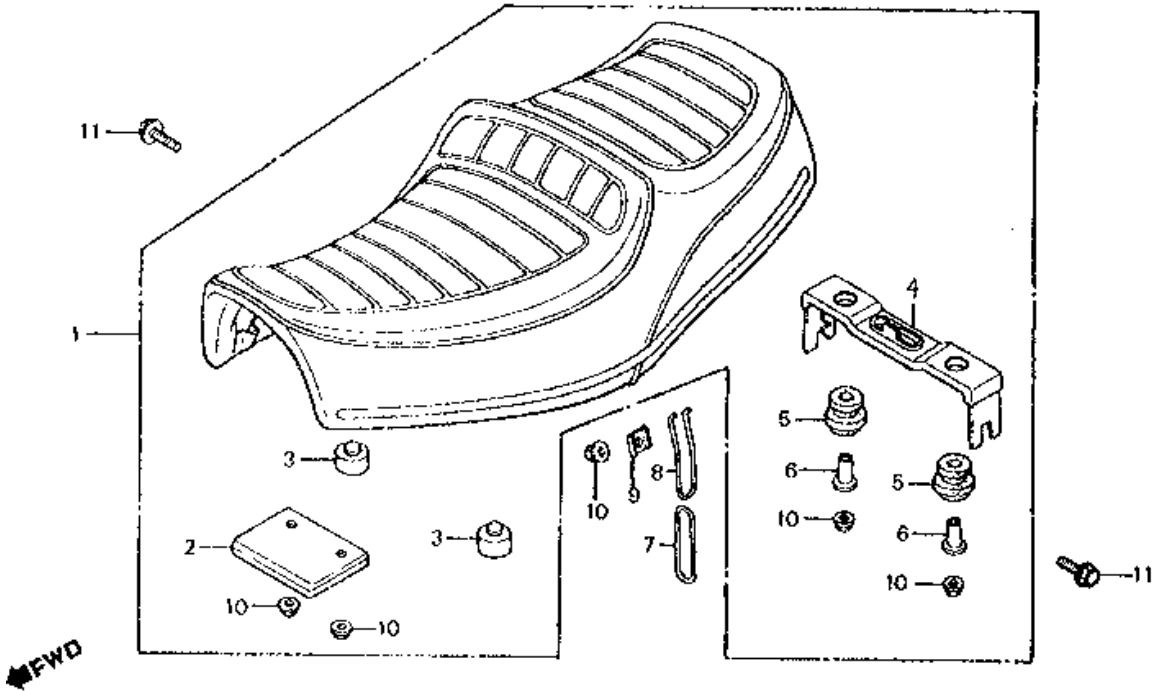
Rear End



REF#	PART		#REQ
01	CAP, VALVE ADJ.	12361-300-000	
		(replaces 12361-035-000)	
		(replaces 12361-371-980)	001
02	GEAR, FINAL DRIVEN	41300-415-000	001
03	STAY, RR. RUBBER	41303-415-300	001
04	CAP, BREATHER	41306-415-000	001
05	COVER, L. CASE	41321-415-000	001
06	PLATE, DUST GUARD	41324-415-000	001
07	RETAINER B, BEARING	41331-415-000	001
08	LOCK A, BEARING ADJ.	41332-415-000	001
09	LOCK B, BEARING ADJ.	41333-415-000	001
10	RETAINER A, BEARING	41351-371-000	001
11	SHIM A (1.80)	41510-415-000	001
11	SHIM B (1.84)	41511-415-000	001
11	SHIM C (1.88)	41512-415-000	001
11	SHIM D (1.92)	41513-415-000	001
11	SHIM E (1.96)	41514-415-000	001
11	SHIM F (2.00)	41515-415-000	001
11	SHIM G (2.04)	41516-415-000	001
11	SHIM H (2.08)	41517-415-000	001
11	SHIM I (2.12)	41518-415-000	001
11	SHIM J (2.16)	41519-415-000	001
11	SHIM K (2.20)	41520-415-000	001
11	SHIM L (2.24)	41521-415-000	001
11	SHIM M (2.28)	41522-415-000	001
11	SHIM N (2.32)	41523-415-000	001
12	COLLAR, RR.	42623-415-000	001
13	BOLT, SEALING (8MM)	90109-371-000	001
14	BOLT, STUD (10X45)	90125-371-000	003
15	BOLT, BREATHER	90126-415-000	001
16	BOLT, FLANGE (8X32)	90133-371-000	006
17	BOLT, FLANGE (10X38)	90134-371-000	002
18	NUT, U (14MM)	90305-GE8-003	
		(replaces 90305-MA1-003)	001
19	GASKET (8MM)	90471-580-000	001
20	WASHER, OIL BOLT	90545-300-000	001
21	BEARING (6914)	91051-371-004	

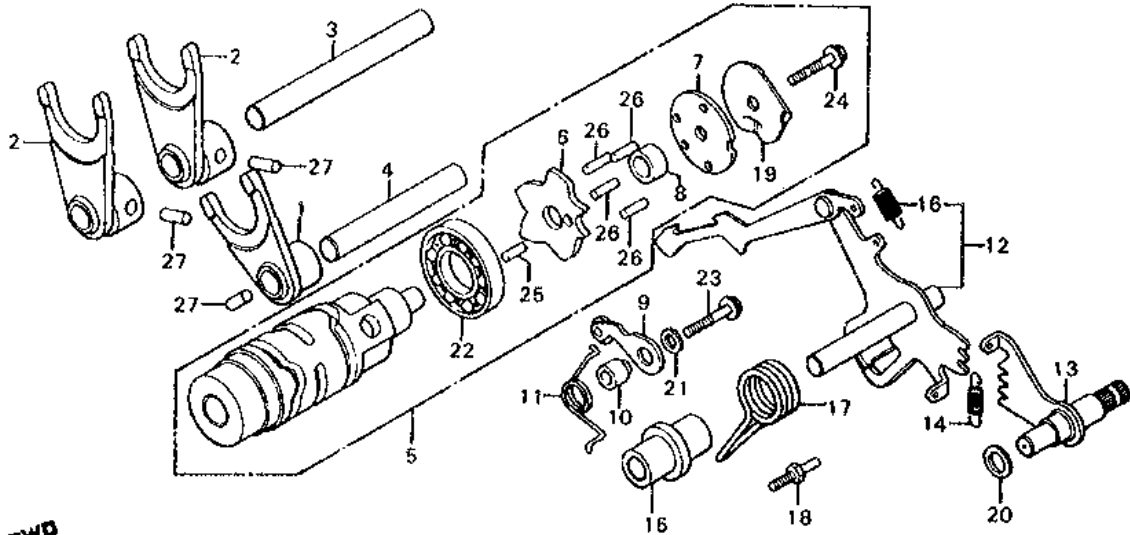
		(replaces 91051-371-003)	
		(replaces 91051-371-005)	001
22	OIL SEAL (25X40X8)	91261-415-003	001
23	OIL SEAL (33X43X7)	91262-415-003	001
24	OIL SEAL (30X47X7)	91264-415-003	001
25	OIL SEAL (70X90X8)	91265-371-003	001
26	O-RING (30.8MM)	91302-001-020	001
27	O-RING (49.6X3.5)	91353-415-004	
		(replaces 91353-415-003)	001
28	O-RING (53.6X2.4)	91354-415-003	001
29	O-RING (96.5X2.0)	91355-371-003	001
30	O-RING (62.7X4)	91356-415-003	001
31	BOLT, HEX. (6X10)	92101-06010-0A	
		(replaces 92000-06010)	004
33	BEARING (6006)	96100-60063-00	001
34	FITTING (B.76S)	96201-80000	001

Seat



REF#	PART		#REQ
01	SEAT, DOUBLE	77200-449-830 (replaces 77200-449-840)	001
02	PLATE, SEAT LOCK	77202-449-000	001
03	RUBBER B	77206-329-000	002
04	STAY, FR. SEAT	77206-413-000	001
05	RUBBER, SEAT MOUNT	77206-415-000	002
06	COLLAR, SEAT MOUNT	77207-415-000	002
10	NUT, FLANGE (6MM)	94050-06080	004
11	BOLT, FLANGE (8X14)	95701-08014-07 (replaces 95700-08014-07)	002

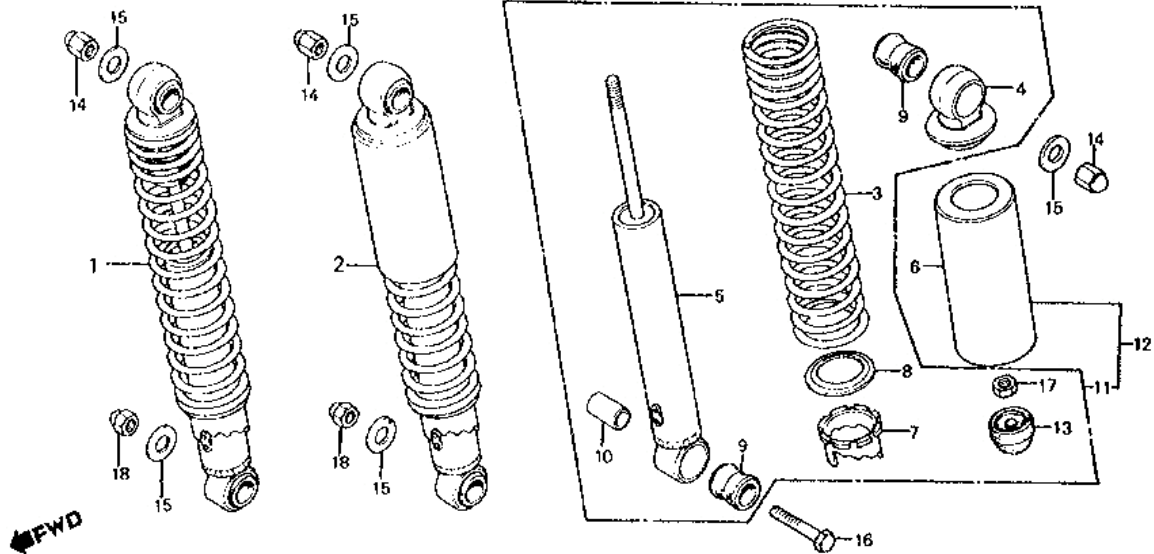
Shifter Drum & Forks



←FWD

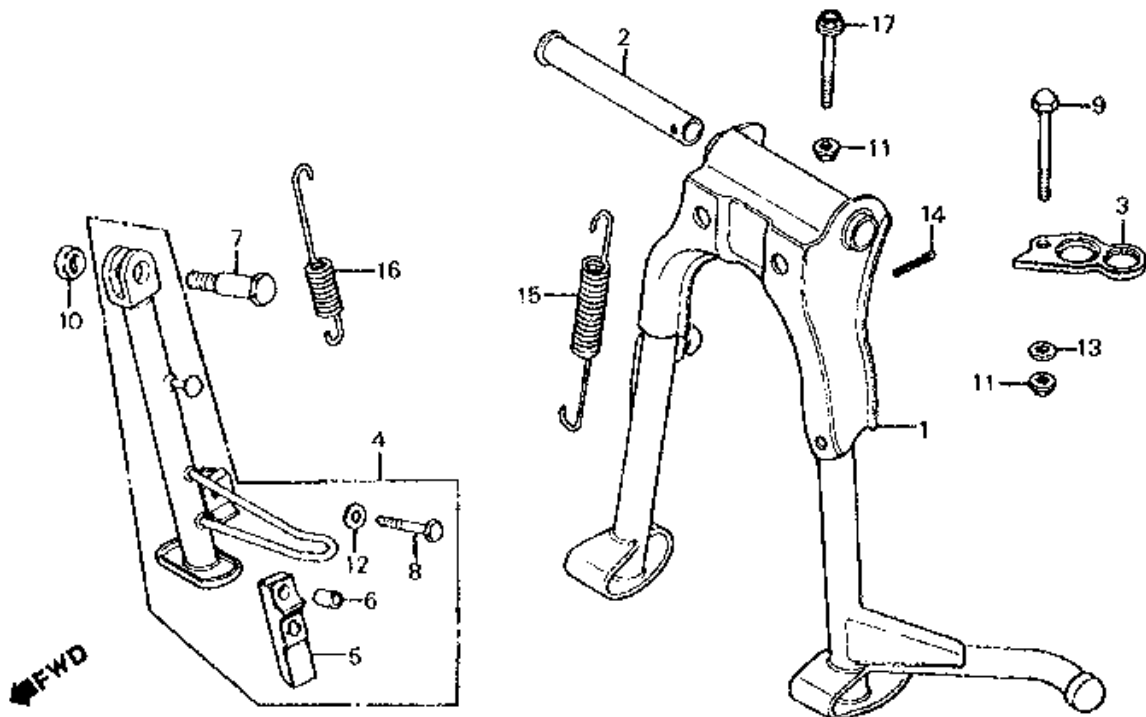
REF#	PART		#REQ
01	FORK	24216-413-000	001
02	FORK	24221-449-000	002
03	SHAFT	24241-413-000	001
04	SHAFT	24241-415-000	001
05	DRUM, GEARSHIFT	24300-415-000	001
06	PLATE, DRUM CAM	24303-415-000	001
07	PLATE, DRUM CENTER	24304-415-000	001
08	COLLAR, DRUM CENTER	24305-415-000	001
09	STOPPER	24430-413-000	001
10	COLLAR	24432-413-000	001
11	SPRING, DRUM STOPPER	24435-415-000	001
12	ARM, GEARSHIFT	24610-415-000	001
13	SPINDLE, GEARSHIFT	24620-415-000	001
14	SPRING, GEARSHIFT	24623-415-000	001
15	COLR, GEARSHIFT ARM	24624-415-000	001
16	SPRING	24641-216-000	001
17	SPRING	24651-333-000	001
18	PIN	24652-259-000	001
19	PLATE, POINT	35753-415-000	001
20	WASHER (12MM)	90451-708-000	001
21	WASHER	90486-028-000	001
22	BEARING (16005)	91008-374-003	001
23	BOLT, FLANGE (6X25)	95701-06025-00	
	(replaces	95700-06025-00)	001
24	BOLT, FLANGE (6X25)	95725-06025-00	001
25	ROLLER (4X11.8)	96220-40118	001
26	ROLLER (4X14)	96220-40140	004
27	ROLLER (6X13)	96220-60130	003

Shock Absorbers, Rear



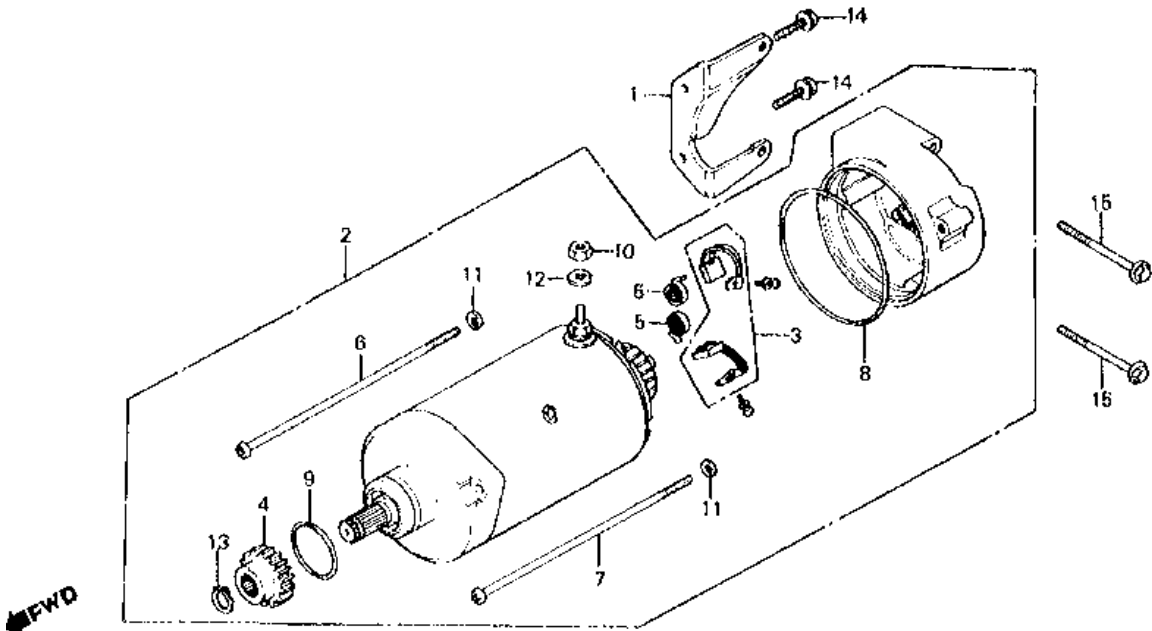
REF#	PART		#REQ
02	S/ABS ASSY., R. RR.	52400-449-405	
	(replaces	52400-449-752)	
	(replaces	52400-449-753)	001
03	SPRING, RR. SHOCK	52401-415-013	
	(replaces	52401-415-003)	002
04	JOINT (UPPER)	52403-404-013	002
05	DAMPER, RR.	52410-449-752	002
06	CASE, RR. SHOCK	52421-404-003	002
07	ADJUSTER, SPRING	52422-404-003	002
08	SEAT, RR. (LOWER)	52458-329-000	002
09	RUBBER, JOINT	52484-292-000	004
10	COLLAR, RR. SHOCK	52486-415-003	001
12	S/ABS ASSY., L. RR.	52500-449-753	
	(replaces	52500-449-752)	001
13	RUBBER, STOPPER	52517-404-003	002
14	NUT, FLANGE (10MM)	90309-315-000	002
15	WASHER (10.3MM)	90521-292-000	003
16	BOLT, HEX. (10X40)	93201-10040-0B	
	(replaces	93000-10040-0B)	
	(replaces	93200-10040-0B)	001
17	NUT, HEX. (10MM)	94002-10000-0S	002
18	NUT, CAP (10MM)	94021-10020-0S	001

Stand, Center & Side Stand



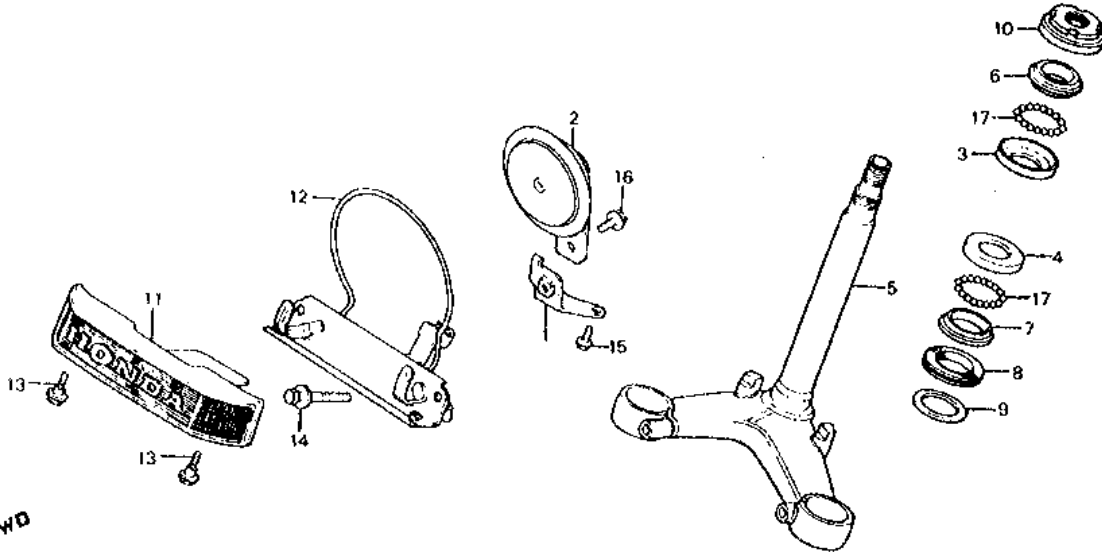
REF#	PART		#REQ
01	STAND, MAIN	50500-449-750	001
02	PIPE	50526-300-000	001
03	CLAMP, BREATHER TUBE	50527-415-000	001
04	STAND ASSY., SIDE	50540-449-750	001
05	RUBBER, STAND	50548-356-700	001
06	COLLAR	50549-356-700	001
07	BOLT	90108-223-000	001
08	BOLT, HEX. (6X28)	92101-06028-0A	001
	(replaces 92000-06028)		001
09	BOLT, CAP (6X40)	92500-06040-0A	001
10	NUT, HEX. (10MM)	94030-10000	001
11	NUT, FLANGE (6MM)	94050-06080	002
12	WASHER, PLAIN (6MM)	94101-06800	001
	(replaces 94101-06000)		001
	(replaces 94101-06080)		001
13	WASHER, PLAIN (6MM)	94101-06800	001
14	PIN, COTTER (2.5MM)	94201-25300	001
	(replaces 94201-25250)		001
15	SPRING J, MAIN STAND	95014-71902	001
16	SPRING D, SIDE STAND	95014-72402	001
17	BOLT, FLANGE (6X40)	95701-06040-08	001
	(replaces 95700-06040-08)		001

Starter Motor



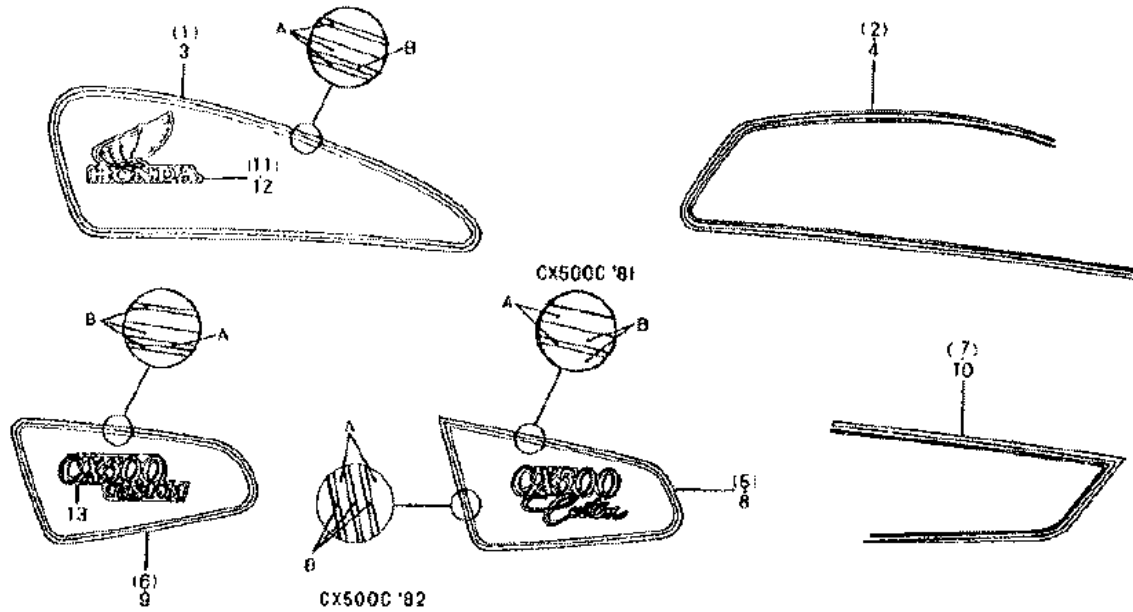
REF#	PART		#REQ
01	STAY, STARTER MOTOR	11312-415-000	001
02	MOTOR ASSY., STARTER	31200-449-405	
	(replaces	31200-449-008)	001
03	BRUSH SET, CARBON	31201-292-158	001
04	GEAR (27T)	31201-415-000	001
05	SPRING, CARBON BRUSH	31204-292-158	002
06	BOLT, START MTR CVR	31205-413-780	001
07	BOLT, START MTR CVR	31205-413-780	
	(replaces	31205-449-008)	001
08	O-RING (60X1.4)	31206-402-008	
	(replaces	31206-415-000)	001
09	O-RING (24.4X3.1)	91312-MG7-003	
	(replaces	91309-300-000)	
	(replaces	91309-425-003)	001
10	NUT, HEX. (6MM)	94002-06000-0S	
	(replaces	94002-06000)	001
11	WASHER, SPRING (5MM)	94111-05000	002
12	WASHER, SPRING (6MM)	94111-06000	001
13	CIRCLIP (11MM)	94510-11000	001
14	BOLT, FLANGE (6X18)	96001-06018-00	
	(replaces	96000-06018-00)	002
15	BOLT, FLANGE (6X35)	96001-06035-00	
	(replaces	96000-06035-00)	002

Steering Stem & Horn



REF#	PART	#REQ
01	STAY, HORN	001
02	HORN	001
	(replaces 38110-KY0-621)	
	(replaces 38110-413-000)	
	(replaces 38110-GJ1-731)	
	(replaces 38110-KE8-601)	001
03	RACE, STEERING BALL	50301-268-010
	(replaces 50301-268-000)	001
04	RACE, STEERING BALL	50302-268-010
	(replaces 50302-268-000)	001
05	STEM, STRG *NH105*	53200-449-750ZA
06	RACE, STEERING CONE	53211-268-010
	(replaces 53211-268-000)	001
07	RACE, STEERING CONE	53212-250-010
	(replaces 53212-250-000)	001
08	DUST SEAL	53214-250-000
09	WASHER	53215-250-000
10	THREAD (UPPER)	53220-286-000
11	COVER, FR.	61401-449-010
12	STAY, FR. COVER	61405-449-840
13	BOLT, FLANGE (6MM)	90111-162-000
14	BOLT-WASHER (8X40)	93481-08040-00
15	BOLT, FLANGE (6X12)	95700-06012-08
15	BOLT, FLANGE (6X12)	95701-06012-08
16	BOLT, FLANGE (8X12)	95701-08012-00
	(replaces 95700-08012-00)	001
17	BALL (#8) (1/4)	96211-08000
		037

Stripes & Emblems



Color chart of fuel tank and side cover stripes for CX500C '80

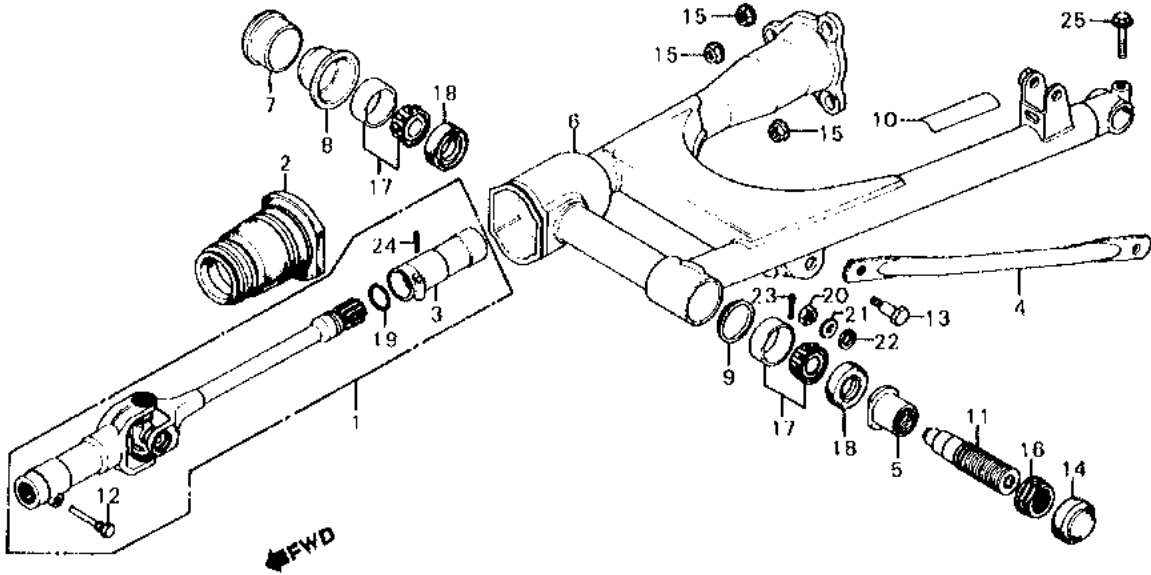
Type of stripe	Base color	Position	
		A	B
TYPE 1	Candy plum red	Orange	Candy plum red
TYPE 2	Black	Orange	Black
TYPE 3	Candy universal blue-U	Orange	Candy universal blue-U

Color chart of side cover stripe for CX500C '81

Type of stripe	Base color	Position	
		A	B
TYPE 1	Bourgogne red	Gold	R-4M (P)
TYPE 2	Cosmo black metallic	Gold	B-1M (P)

REF#	PART	#REQ
05	STRIPE, R. (TYPE1)	83541-449-840ZA 001
05	STRIPE, R. (TYPE2)	83541-449-840ZB 001
08	STRIPE, L. (TYPE1)	83641-449-840ZA 001
08	STRIPE, L. (TYPE2)	83641-449-840ZB 001
11	EMBLEM, R. FUEL TANK	87121-449-300 001
12	EMBLEM, L. FUEL TANK	87122-449-300 001

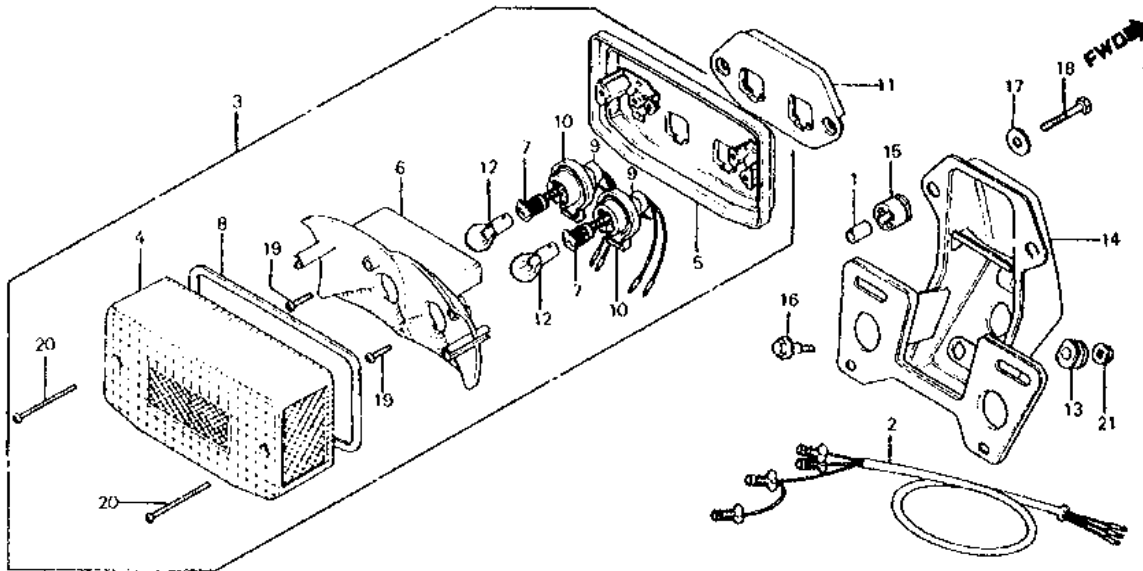
Swingarm



REF#	PART		#REQ
01	SHAFT, PROPELLER	40200-415-020	
		(replaces 40200-415-010)	001
02	BOOT, JOINT	40207-415-000	001
03	JOINT, DRIVESHAFT	40210-415-010	001
04	ARM, RR.	43431-415-010	
		(replaces 43431-415-000)	001
05	NUT, FORK PIVOT	50197-371-300	001
06	SWINGARM, RR. *NH1*	52100-415-000ZA	001
07	CAP, RR. SWINGARM	52115-415-000	001
08	HOLDER, RR.	52117-415-000	001
09	PLATE, DUST SEAL	52118-415-000	001
10	LABEL	87504-028-670	001
11	BOLT, PIVOT	90121-415-000	001
12	BOLT, SPECIAL (8MM)	90127-415-000	001
13	BOLT, RR.	90133-286-000	001
14	CAP, LOCK NUT	90303-431-670	001
15	NUT, HEX. (10MM)	90308-357-000	003
16	NUT, LOCK (23MM)	90354-431-670	001
17	BEARING (30202)	91066-415-006	
		(replaces 91066-415-003)	
		(replaces 91066-415-004)	
		(replaces 91066-415-005)	002
18	OIL SEAL (20X35X7)	91254-GF0-761	
		(replaces 91266-415-003)	
		(replaces 91266-415-004)	002
19	O-RING (22X1.7)	91359-415-300	001
20	NUT, HEX. (8MM)	94001-08000-0S	001
21	WASHER, PLAIN (8MM)	94101-08000	001
22	WASHER (10MM)	94111-10000	001
23	PIN, COTTER (2.0X35)	94201-20350	
		(replaces 94201-20180)	
		(replaces 94201-20200)	
		(replaces 94201-20250)	
		(replaces 94201-20280)	
		(replaces 94201-20320)	001
23	PIN, COTTER (2.0X22)	94201-29220	001
23	PIN, SPLIT (2.0X22)	94201-20220	001

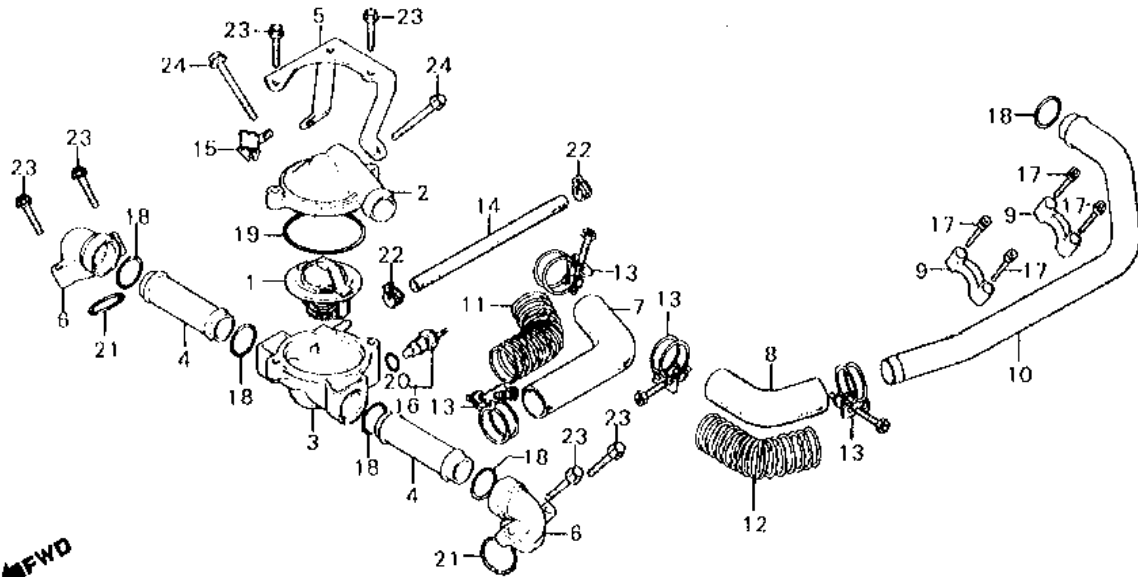
24	PIN, SPRING (4X22)	94305-40222	001
25	BOLT, FLANGE (8X32)	95701-08032-00	
	(replaces 95700-08032-00)		001

Tail Light



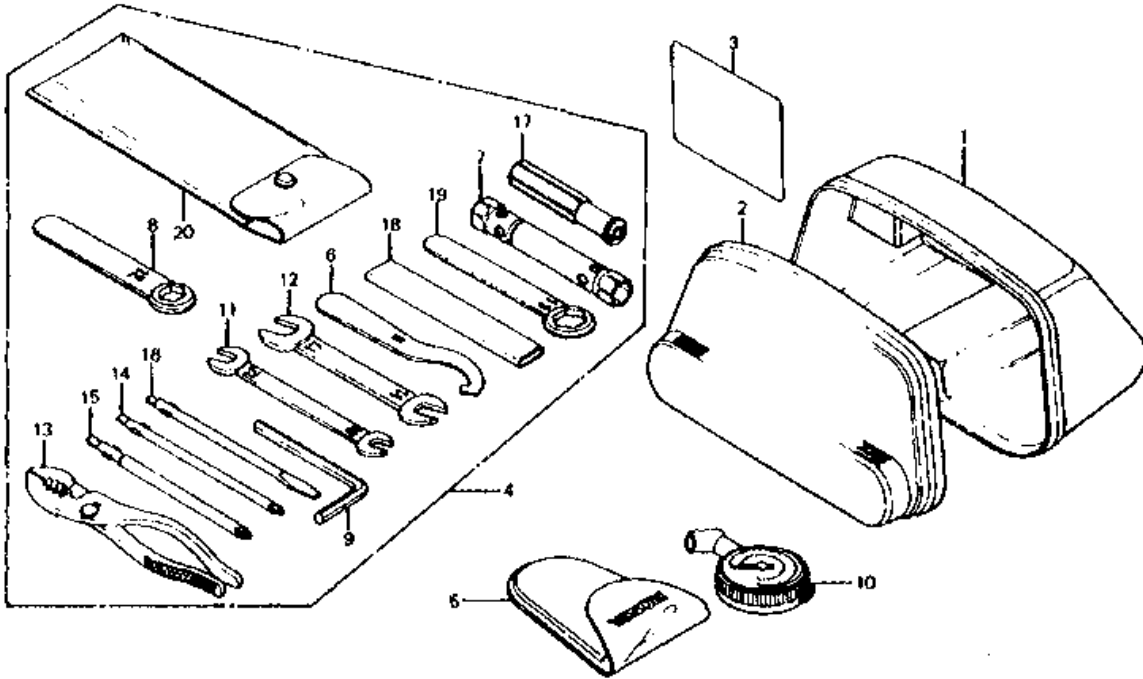
REF#	PART		#REQ
01	COLLAR, DISTANCE	19024-692-000	002
02	SUB-WIRE HARNESS	32101-449-770	001
03	TAILLIGHT UNIT	33701-MC9-830	
	(replaces	33701-425-772)	001
04	LENS, TAILLIGHT	33702-425-771	001
05	BASE, TAILLIGHT	33703-425-772	001
06	REFLECTOR	33704-425-771	001
07	WIRE, TAILLIGHT	33705-147-671	002
08	GASKET, LENS	33708-425-771	001
09	SOCKET, TAILLIGHT	33710-425-772	002
10	RUBBER, CUSHION	33711-425-771	002
11	GSKT, TAILLIGHT BASE	33718-425-771	001
12	BULB (12V27/8W)	34906-425-771	002
13	RUBBER, RR.	80101-283-000	003
14	BRKT, NUMBER PLATE	84701-449-770	001
15	RUBBER, FENDER	84905-333-000	002
16	BOLT, FLANGE (6X20)	90113-449-000	003
17	WASHER (6.5X18)	90545-323-700	002
18	BOLT, HEX. (6X28)	93000-06028-0A	
	(replaces	93000-06028)	002
19	SCREW, PAN (4X12)	93500-04012-0A	002
20	SCREW, PAN (4X55)	93500-04055-4J	002
21	NUT, FLANGE (6MM)	94050-06080	003

Thermostat & Coolant Pipes & Hoses



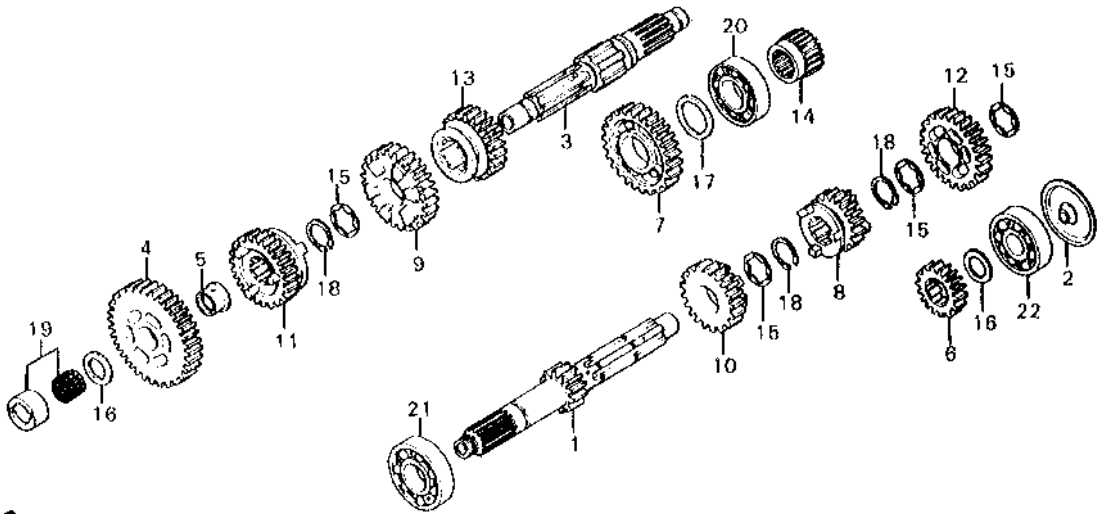
REF#	PART		#REQ
01	THERMOSTAT UNIT	19300-611-005	
		(replaces 19300-657-003)	001
02	COVER, THERMOSTAT	19315-415-000	001
03	CASE, THERMOSTAT	19411-415-000	001
04	PIPE, WATER (UPPER)	19414-415-000	002
05	STAY, THERMOSTAT	19418-415-010	001
06	JOINT A, WATER PIPE	19421-415-000	002
07	HOSE, WATER (UPPER)	19501-415-000	001
08	HOSE, WATER (LOWER)	19502-415-000	001
09	CLAMP, WATER PIPE	19503-415-000	002
10	PIPE, RR. WATER	19504-415-000	001
11	WIRE A, GUARD	19511-449-000	001
12	WIRE B, GUARD	19512-449-000	001
13	BAND, HOSE	19515-449-000	004
14	TUBE (5X240)	19521-415-000	001
15	CLAMP A, CABLE	32117-371-000	
		(replaces 32111-333-000)	001
16	SENDING UNIT	37750-611-154	001
17	BOLT, SPECIAL (5X22)	90089-415-000	004
18	O-RING (21.9X2.3)	91301-MB6-003	
		(replaces 91302-371-013)	
		(replaces 91302-371-023)	005
19	O-RING (53.8X3.1)	91302-657-000	001
20	O-RING (13.5X1.4)	91307-PH7-660	
		(replaces 91307-611-000)	001
21	O-RING (23X2.8)	94608-50000	002
22	CLIP, TUBE (D10.5)	95002-41050-08	002
23	BOLT, FLANGE (6X25)	95701-06025-00	
		(replaces 95700-06025-00)	006
24	BOLT, FLANGE (6X50)	95701-06050-00	
		(replaces 95700-06050-00)	002

Tools



REF#	PART		#REQ
04	TOOL SET	89010-415-000	001
05	BAG, AIR PRES GA	89102-469-003	001
06	WRENCH, PIN	89215-404-670	001
07	WRENCH (18.5X17)	89216-415-000	001
08	WRENCH, EYE (12MM)	89217-415-000	001
09	WRENCH, HEX. (6MM)	89221-371-000	001
10	GAUGE, AIR PRESSURE	89301-461-003	001
11	SPANNER (10X12)	99001-10120	001
12	SPANNER (14X17)	99001-14170	001
13	PLIERS (135)	99002-13500	001
14	SCREWDRIVER 1 (NO.2)	99003-10000	001
15	SCREWDRIVER 2 (NO.3)	99003-20000	001
16	SCREWDRIVER 3 (NO.2)	99003-30000	001
17	GRIP	99003-50000	001
18	HANDLE (12MM)	99006-12000	001
19	WRENCH, EYE (19MM)	99006-19000	001
20	BAG, TOOL	89101-ME5-670	
	(replaces	99008-02000)	001

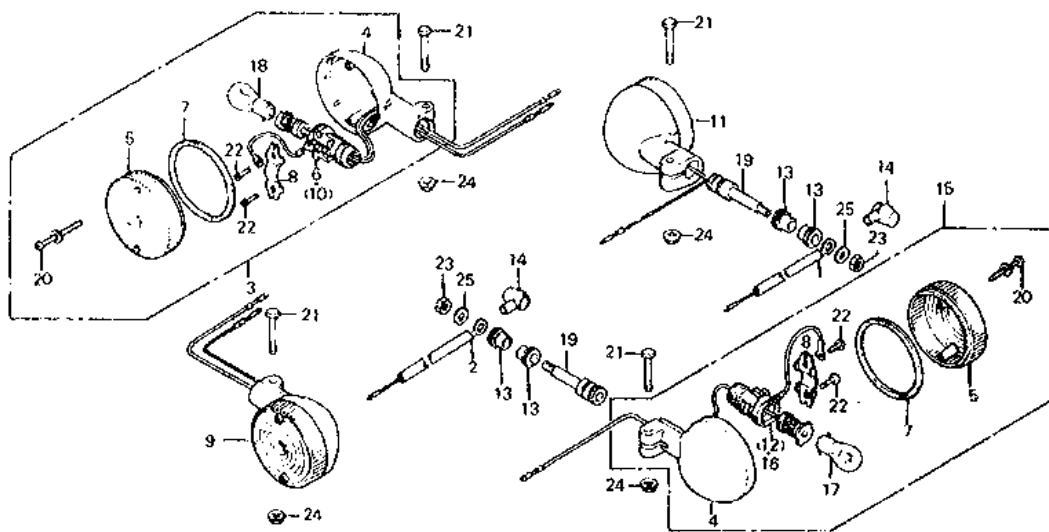
Transmission



◀FWD

REF#	PART		#REQ
01	MAINSHAFT (15T)	23211-415-010	001
02	PLATE, OIL GUIDE	23219-415-000	001
03	COUNTERSHAFT	23220-415-000	001
04	GEAR (41T)	23421-413-000	001
05	BUSH (20MM)	23422-413-000	001
06	GEAR (20T)	23431-413-000	001
07	GEAR (37T)	23441-413-000	001
08	GEAR (24T)	23451-413-000	001
09	GEAR (34T)	23461-413-000	001
10	GEAR (27T)	23471-415-000	001
11	GEAR (31T)	23481-MA1-000	001
12	GEAR (29T)	23491-415-000	001
13	GEAR (27T)	23501-449-000	001
14	COLLAR, COUNTERSHAFT	23522-415-000	001
15	WASHER (25MM)	90451-413-000	004
16	WASHER (20MM)	90452-413-000	002
17	WASHER (25MM)	90452-415-000	001
18	CIRCLIP (25MM)	90601-300-000	003
19	BEARING (20MM)	91022-415-008	001
20	BEARING (6205)	96100-62050-00	001
20	BEARING (6205)	96100-62050-10	001
21	BEARING (6305)	96100-63051-00	001
22	BEARING (6204U)	96140-62040-00	001

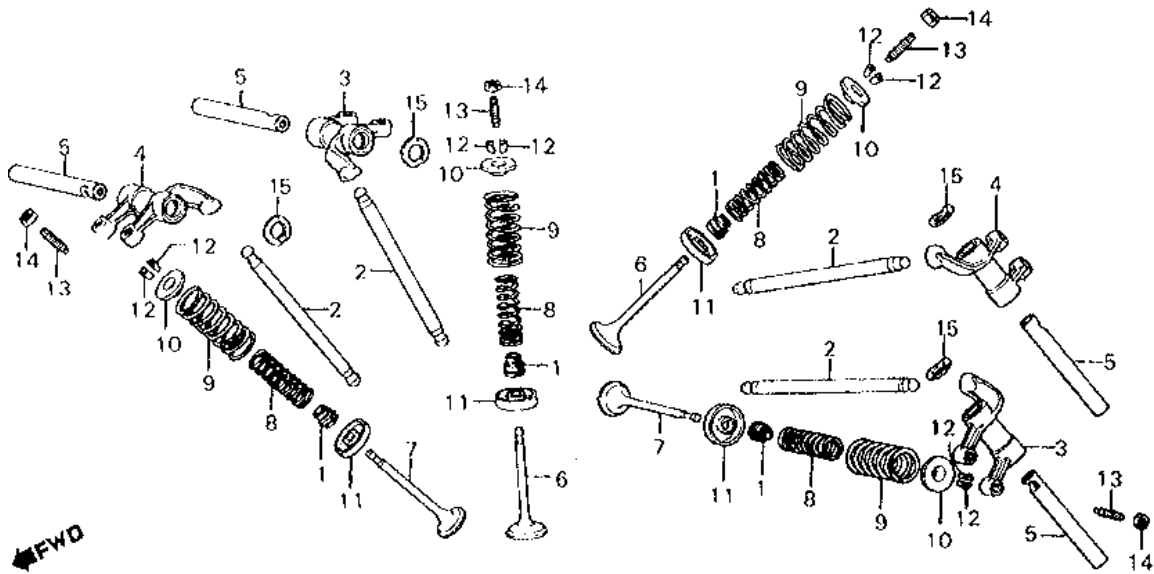
Turn Signals



←FWD

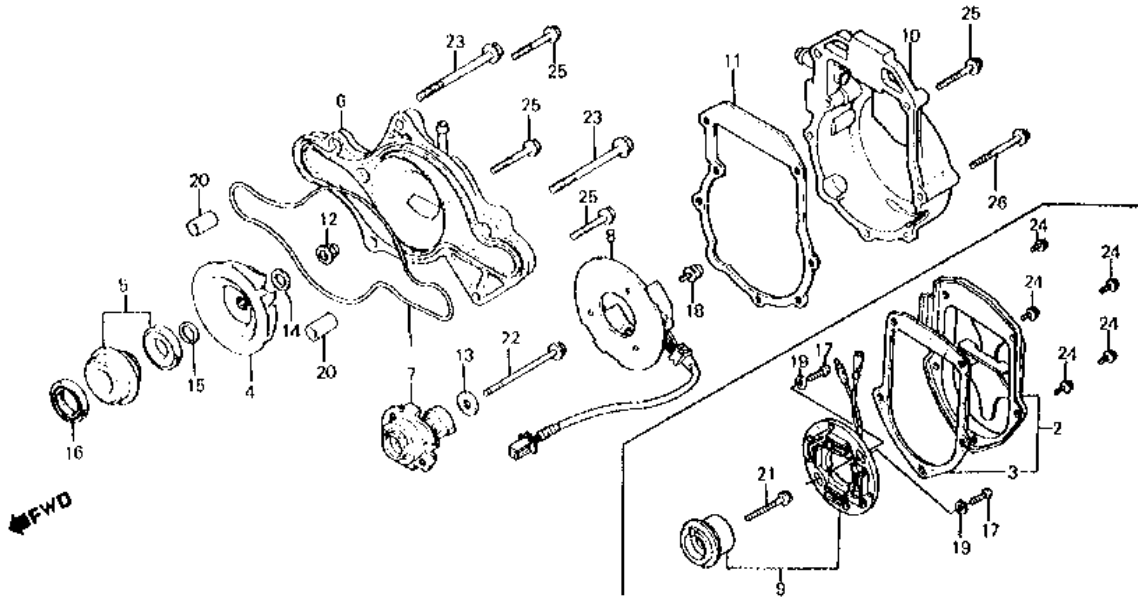
REF#	PART		#REQ
01	WIRE B	33621-413-000	001
02	SUB-WIRE A	32111-449-000	001
03	TURN SIGNAL, R. FR.	33400-461-679	
	(replaces	33400-377-671)	
	(replaces	33400-461-670)	001
04	BASE, R. FR.	33401-377-671	004
05	LENS, FR.	33402-377-671	004
06	SOCKET, R. FR.	33405-461-670	
	(replaces	33405-377-671)	001
07	GASKET	33406-377-671	004
08	HOLDER, FR.	33407-377-671	004
09	TURN SIGNAL, R. FR.	33400-461-679	
	(replaces	33400-377-671)	
	(replaces	33400-461-670)	
	(replaces	33450-377-671)	001
10	SOCKET, R. FR.	33405-461-670	
	(replaces	33455-377-671)	001
11	TURN SIGNAL, R. RR.	33600-449-670	001
12	SOCKET, R.	33610-449-670	001
13	RUBBER, RR.	33606-449-000	004
14	CVR, GROUND TERMINAL	33625-449-000	002
15	TURN SIGNAL, L. RR.	33650-449-670	001
16	SOCKET, L.	33660-449-670	001
17	BULB (12V23W32CP)	34905-268-671	002
18	BULB (12V23/7W)	34901-504-003	002
18	BULB (12V23/8W)	34906-313-671	002
19	BOLT, RR.	90155-415-770	002
20	SCREW, PAN (4X25)	93500-04025-0A	
	(replaces	90192-377-671)	008
21	BOLT, HEX. (6X35)	93101-06035-0B	
	(replaces	93000-06035-02)	
	(replaces	93000-06035-0B)	004
21	BOLT, HEX. (6X35)	93101-06035-0B	004
22	SCREW, PAN (3X8)	93500-03008-0H	008
23	NUT, HEX. (10MM)	94001-10000-0S	002
24	NUT, FLANGE (6MM)	94050-06000	004
25	WASHER, PLAIN (10MM)	94101-10000	002

Valves & Rocker Arms



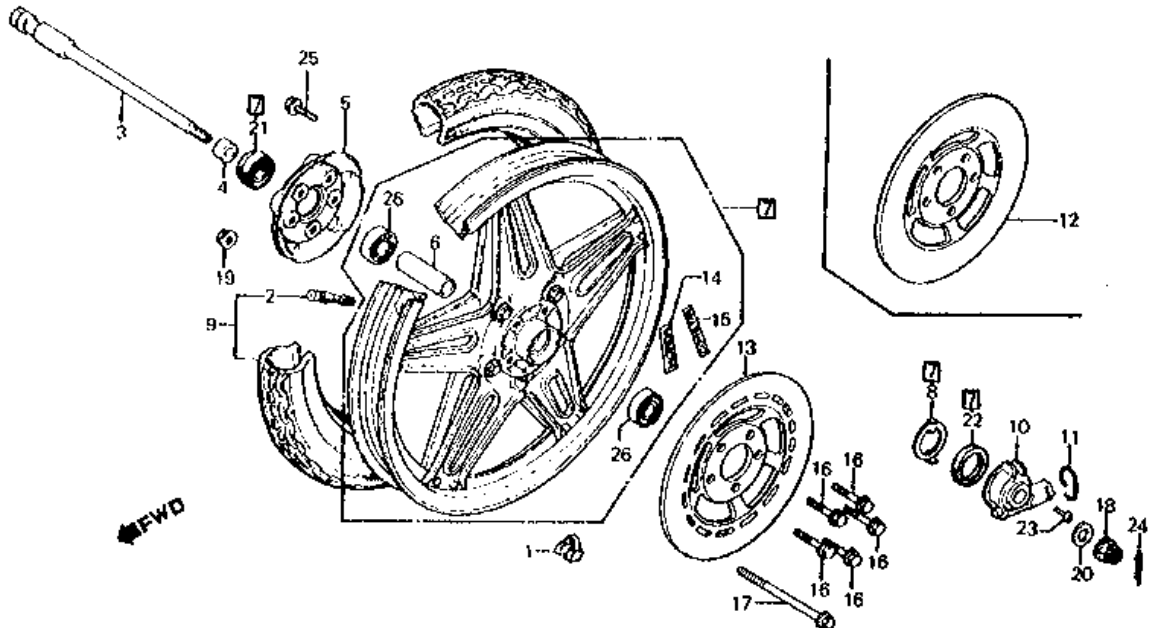
REF#	PART		#REQ
01	SEAL, VALVE STEM	12209-MB9-003	
		(replaces 12209-300-003)	008
02	ROD, PUSH	14410-415-000	004
03	ARM A, ROCKER	14420-MA1-000	002
03	ARM A, ROCKER	14420-ME7-000	002
05	SHAFT, ROCKER ARM	14450-MG0-000	
		(replaces 14450-415-010)	004
06	VALVE, IN.	14711-415-000	004
07	VALVE, EX.	14721-415-000	004
08	SPRING, VALVE	14751-415-005	008
09	SPRING, VALVE	14761-415-005	008
10	RETAINER, VLV SPR	14771-551-020	008
11	SEAT, VALVE SPRING	14775-410-010	
		(replaces 14775-300-000)	008
12	COTTER, VALVE	14781-551-000	016
13	SCREW, TAPPET ADJ.	90012-415-000	008
14	NUT, TAPPET ADJ.	90206-250-000	
		(replaces 90205-300-000)	008
15	WASHER, WAVE (1.5MM)	90405-415-000	004

Water Pump & Ignition Pulse Generator



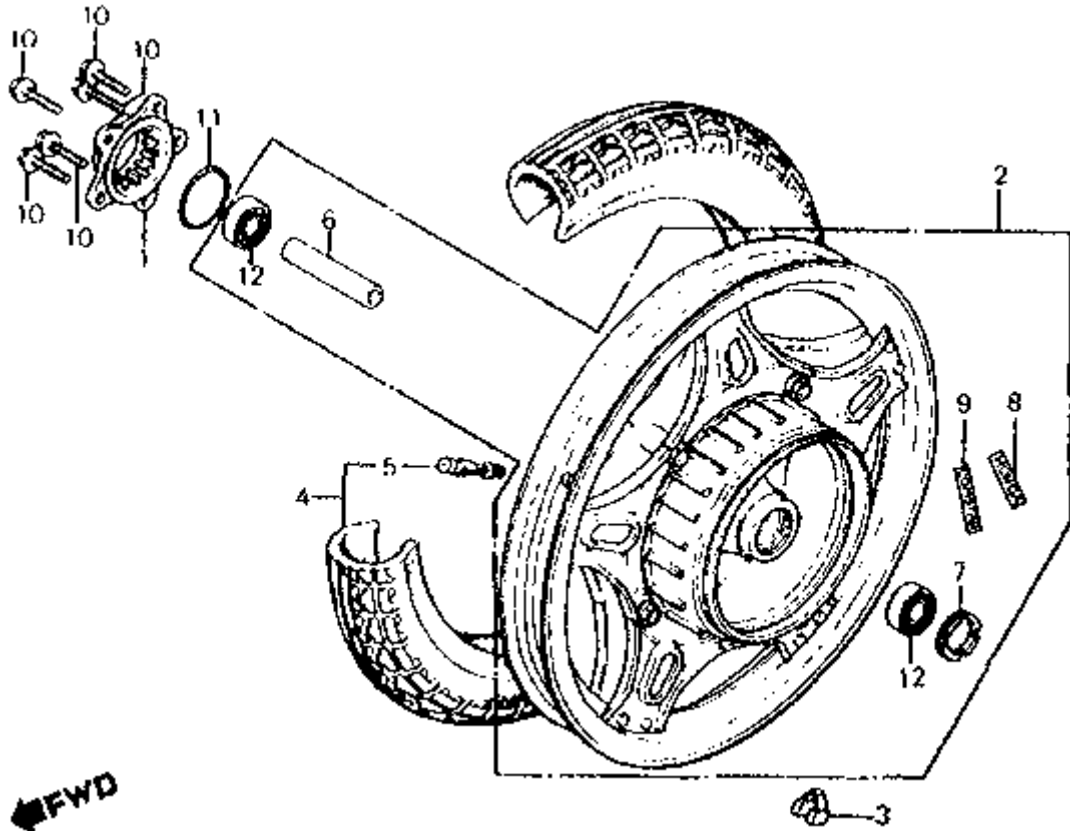
REF#	PART		#REQ
01	GASKET	11396-415-000	001
04	IMPELLER, WATER PUMP	19215-415-010	001
05	SEAL, MECHANICAL	19217-611-000	001
06	COVER, WATER PUMP	19221-415-000	001
07	ADVANCER, SPARK	30220-MA1-731	
	(replaces	30220-MA1-730)	001
08	GENERATOR, PULSE	30300-MA1-154	001
10	COVER, PULSER	30372-MA1-010	
	(replaces	30372-MA1-730)	001
11	GASKET A	30373-MA1-306	
	(replaces	30373-MA1-000)	001
12	NUT, CAP (6MM)	90201-415-000	001
13	WASHER	90417-115-000	001
14	WASHER (6MM)	90441-706-000	001
15	WASHER (10MM)	90453-415-000	001
16	OIL SEAL (18X28X6)	91202-283-013	001
18	SCREW-WASHER (6X12)	93891-06012-00	002
20	PIN, DOWEL (10X16)	94301-10160	002
22	BOLT, FLANGE (6X60)	95701-06060-00	
	(replaces	95700-06060-00)	001
23	BOLT, FLANGE (8X65)	95701-08065-00	
	(replaces	95700-08065-00)	002
25	BOLT, FLANGE (6X25)	96000-06025-00	006
25	BOLT, FLANGE (6X25)	96001-06025-00	006
26	BOLT, FLANGE (6X40)	96001-06040-00	
	(replaces	96000-06040-00)	003

Wheel, Front & Brake Disc



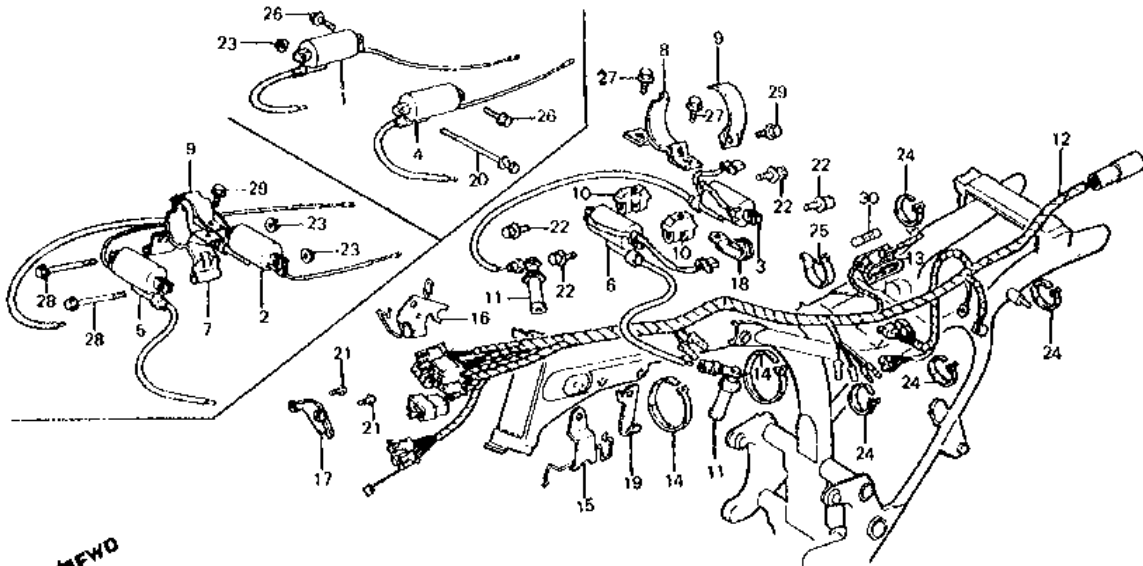
REF#	PART		#REQ
01	WEIGHT (20G)	42705-410-000	AR
01	WEIGHT (30G)	42706-410-000	AR
02	VALVE, RIM	42753-425-003	
	(replaces	42753-425-004)	001
03	AXLE, FR. WHEEL	44301-449-750	001
05	COVER, FR. WHEEL	44607-449-000	001
06	COLLAR, FR.	44620-286-000	001
07	WHEEL, FR.	44650-413-940	001
08	RETAINER, GEAR BOX	44680-410-000	001
09	TIRE (3.50S19) (4PR)	44710-MC9-671	
	(replaces	44710-449-751)	001
09	TIRE, FR. (3.50S19)	44710-460-842	
	(replaces	44710-449-752)	001
10	BOX ASSY.	44800-461-771	001
11	CLIP	44810-461-771	001
12	DISK, FR. BRAKE	45251-MA1-000	001
17	BOLT, FLANGE (8X90)	90155-449-750	005
19	NUT, FLANGE (8MM)	90309-428-731	005
21	OIL SEAL (26X42X7)	91252-230-003	
	(replaces	91252-230-005)	001
22	DUST SEAL (40X50X5)	91258-410-013	
	(replaces	91258-410-003)	
	(replaces	91258-410-006)	001
26	BEARING (6302Z)	96120-63020-10	002

Wheel, Rear



01	FLANGE, FINAL DRIVEN	42610-415-000	001
02	WHEEL, RR.	42650-449-611	001
03	WEIGHT (20G)	42705-410-000	AR
03	WEIGHT (30G)	42706-410-000	AR
04	TIRE (130/90-16)	42710-449-751	001
04	TIRE (130/90-16)	42710-461-752	
		(replaces 42710-449-752)	
		(replaces 42710-461-751)	
		(replaces 42710-461-772)	001
05	VALVE, RIM	42753-425-003	
		(replaces 42753-425-004)	001
06	COLLAR, FR.	44620-410-000	001
07	RETAINER, FR.	44643-300-000	001
10	BOLT, SPROCKET	90128-402-000	005
11	O-RING (54X2.4)	91302-KF0-003	
		(replaces 91357-415-003)	001
12	BEARING (6302UU)	96150-63020-10	
		(replaces 96140-63020-10)	002

Wire Harness & Ignition Coils



REF#	PART		#REQ
03	COIL, R. IGNITION	30501-449-830	001
06	COIL, L. IGNITION	30502-MA1-003	
		(replaces 30502-449-830)	001
08	BRACKET A	30505-449-830	001
09	BRACKET B	30506-449-750	001
10	BRACKET C	30507-449-830	002
11	CAP ASSY. A	30700-415-010	
		(replaces 30700-415-000)	002
12	WIRE HARNESS	32100-449-840	001
13	CASE, FUSE (5A)	32125-463-770	001
14	BAND, CABLE	32161-402-000	002
15	CLIP	32812-449-770	001
17	PROTECTOR, WIRE	35114-371-000	001
18	CLIP, THROTTLE CABLE	50732-413-000	001
19	CLIP, THROTTLE CABLE	50732-415-000	001
21	SCREW, PAN (3X8)	93500-03008-0A	
		(replaces 93500-03008-1A)	002
22	SCREW-WASHER (5X25)	93891-05025-08	004
24	BAND A2, CABLE	95014-61200	004
25	BAND B1, CABLE	95014-62100	001
27	BOLT, FLANGE (6X16)	95701-06016-08	
		(replaces 95700-06016-08)	
		(replaces 95900-06016-08)	002
29	BOLT, FLANGE (8X20)	95701-08020-08	
		(replaces 95700-08020-08)	
		(replaces 95701-08020-18)	001
30	FUSE B (5A)	98200-20500	002