

1983 CX650C Parts Manual

The data contained herein was collected from sources on the Internet freely available to the general public.

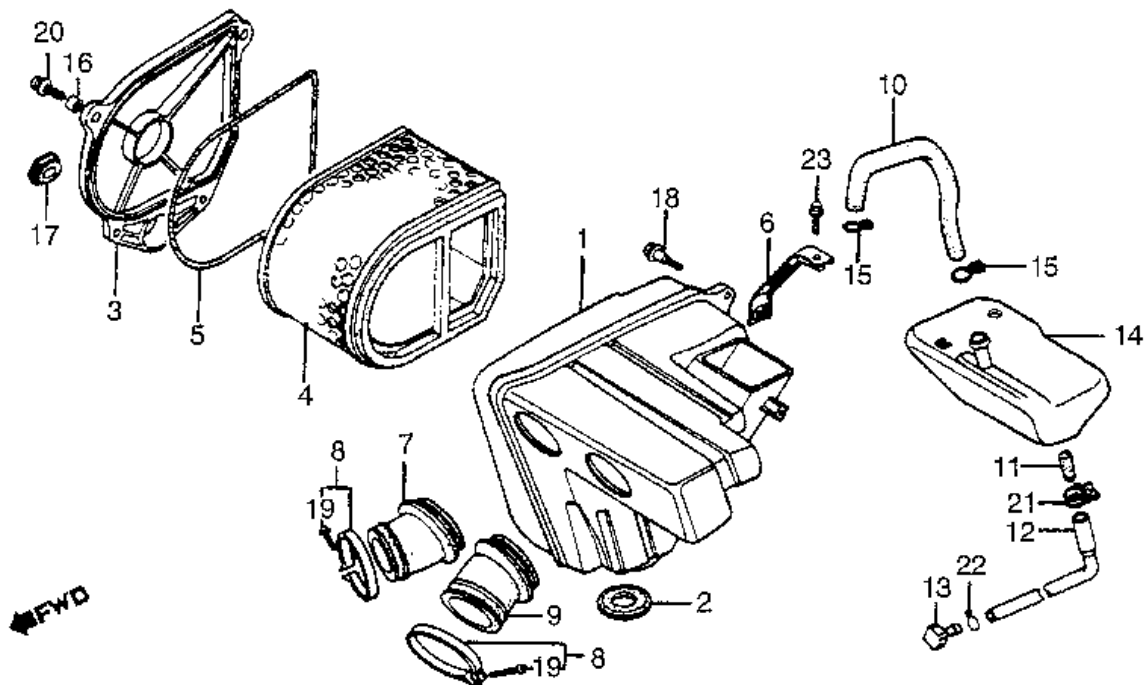
Disclaimer: The information contained herein is believed to be accurate but the user of this data assumes all risk associated with its usage.

Table of Contents

Air Cleaner.....	4
Alternator & Starter Clutch.....	5
Battery & Sidecovers	6
Block, Cylinder.....	7
Brake Caliper	9
Brake Lines, Front & Master Cylinder & Lever.....	10
Brake Panel, Rear & Rear Axle	11
Camshaft & Tachometer Gear	12
Camshaft Chain & Tensioner.....	13
Carburetors.....	14
Clutch.....	16
Clutch Cover & Oil Filter	17
Coolant Reserve Tank & Engine Hangers	18
Crankshaft & Pistons	19
Cylinder Head, Left	20
Cylinder Head, Right	21
Cylinder Head Covers.....	22
Electrical Plate & Modules	23
Emblems	24
Engine Cover, Front (Transmission Cover).....	25
Engine Cover, Rear.....	26
Exhaust System.....	27
Fender, Front.....	29
Fender, Rear	30
Final Shaft.....	32
Footpegs.....	33
Forks	35
Frame	37
Fuel Tank & Petcock	38
Gasket Kit A	40
Gasket Kit B.....	41
Handlebar & Top Bridge & Fuse Panel & Lockset	42
Handlebar Controls & Mirrors.....	43
Headlight.....	44
Instruments: Speedometer & Tachometer & Lights	45
Oil Pan	47
Oil Pump & Primary Drive Gear	48
Pedal, Brake & Shift Pedal	49
Radiator & Cooling Fan & Grille	50
Rear End.....	51
Seat.....	53
Shifter Drum & Forks	54
Shock Absorbers, Rear.....	55

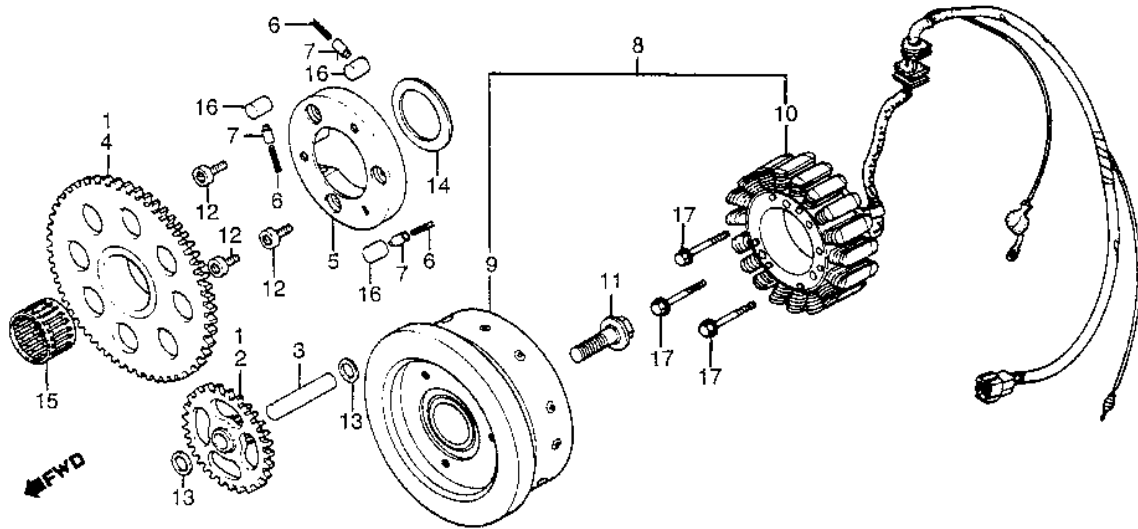
Stand, Center & Side Stand	56
Starter Motor	57
Steering Stem & Horns	58
Swingarm	59
Tail Light	61
Thermostat & Coolant Pipes & Hoses	62
Tools	63
Transmission	64
Turn Signals	65
Valves & Rocker Arms	66
Water Pump & Ignition Pulse Generator	67
Wheel, Front & Brake Disc	68
Wheel, Rear	69
Wire Harness & Ignition Coils	70

Air Cleaner



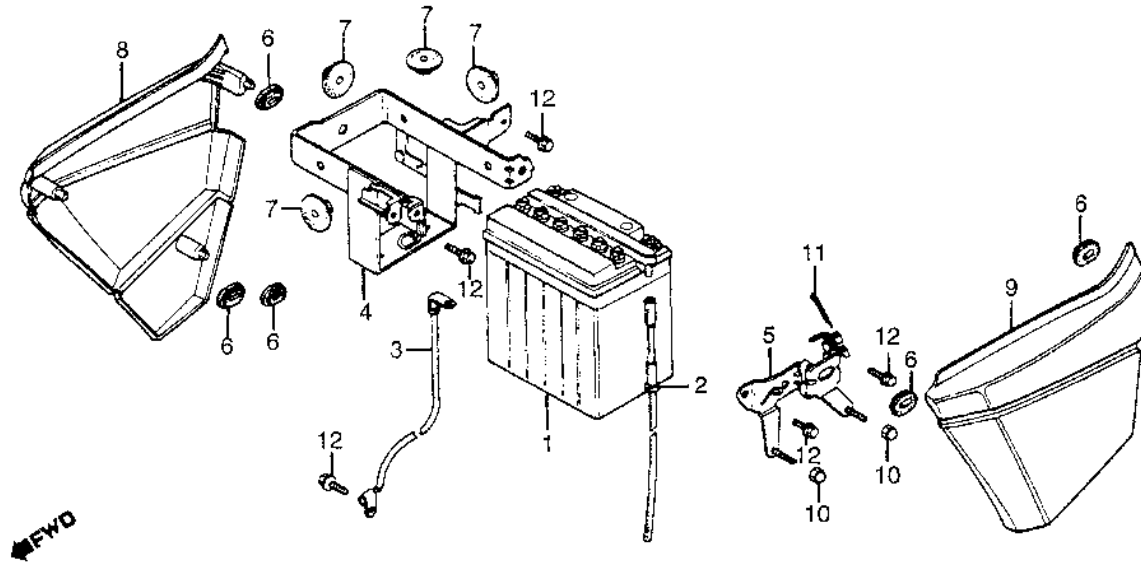
REF#	PART		#REQ
01	HOUSING, AIR CLEANER	17205-ME8-000	001
02	RUB, BREATHER TANK	17212-MF5-000	
	(replaces	17211-ME8-000)	001
03	COVER, A/CLNR HSG	17212-ME8-000	001
04	ELEMENT, AIR CLEANER	17220-ME8-000	001
05	SEAL	17222-MN4-405	
	(replaces	17226-ME8-000)	001
06	STAY	17231-ME8-000	001
07	TUBE, R.	17254-ME8-300	001
08	BAND, A/CLNR TUBE	17256-425-010	
	(replaces	17256-358-000)	002
09	TUBE, L.	17264-ME8-300	001
10	TUBE, BREATHER	17336-ME8-000	001
11	FILTER	17337-323-300	001
12	TUBE	17338-ME8-300	001
13	PLUG, BREATHER TUBE	17370-419-700	001
14	TANK, STORAGE	17551-ME8-000	001
15	CLIP (16MM)	18534-634-670	002
16	COLLAR, CHAIN GUARD	40523-958-000	004
17	GROMMET, SIDE COVER	83551-MA6-000	001
18	BOLT, FLANGE (6X20)	90113-449-000	001
19	SCREW, PAN (4X25)	93500-04025-0A	002
20	SCREW-WASHER (6X20)	93891-06020-00	004
21	CLIP, TUBE (A15)	95002-01150	001
22	CLIP, TUBE (B12.5)	95002-02130	001
23	BOLT, FLANGE (6X12)	95700-06012-08	001
23	BOLT, FLANGE (6X12)	95701-06012-08	001

Alternator & Starter Clutch



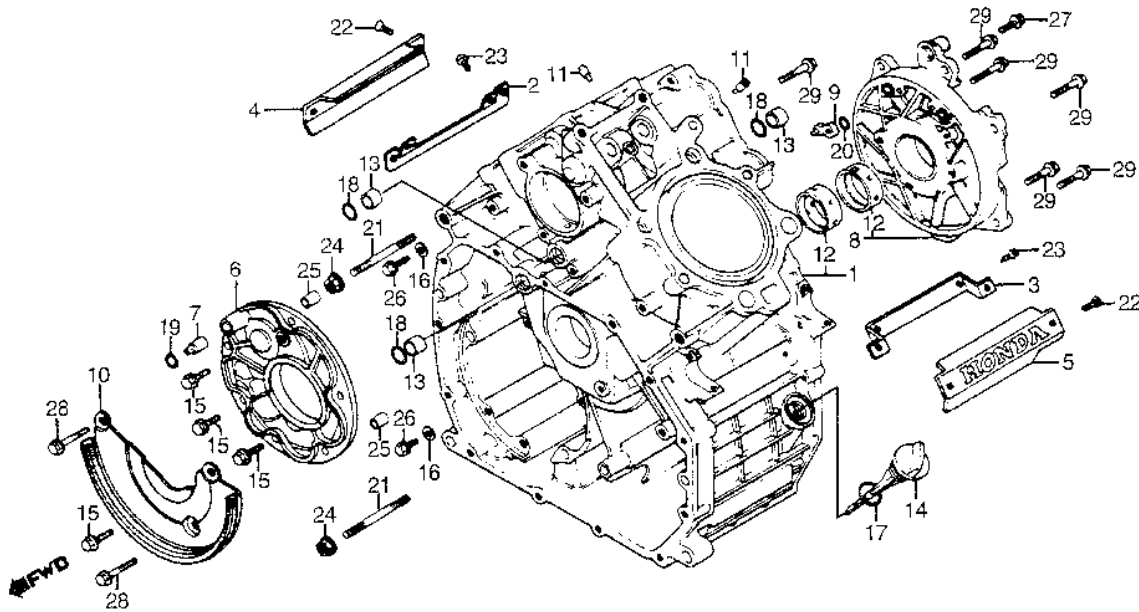
REF#	PART		#REQ
01	GEAR SET, STARTER	28100-415-305	001
02	GEAR	28102-415-010	001
03	SHAFT	28106-415-000	001
04	GEAR	28110-MF5-000	
		(replaces 28110-415-010)	001
05	CLUTCH, STARTER	28120-415-000	001
06	SPRING	28125-516-030	003
07	CAP	28126-415-000	003
08	ALTERNATOR ASSY.	31100-MA1-731	001
09	ROTOR	31110-MA1-731	001
10	STATOR	31120-MA1-005	001
11	BOLT (12X30)	90002-415-003	001
12	BOLT, SOCKET 8MM	90010-KCJ-690	
		(replaces 90010-415-000)	003
13	WASHER (12MM)	90451-708-000	002
14	WASHER (37MM)	90454-415-000	001
15	BEARING (32MM)	91021-415-005	001
16	ROLLER (15X13)	91101-516-000	003
17	BOLT, FLANGE (6X40)	95701-06040-00	
		(replaces 95700-06040-00)	003

Battery & Sidecovers



REF#	PART		#REQ
01	BATTERY (YB14-A2)	31500-MW3-720	
		(replaces 31500-MB1-671)	
		(replaces 31500-MB1-672)	001
02	TUBE	31502-ME8-000	001
03	CABLE	32601-ME8-000	001
04	BAND A, BATTERY	50327-ME8-000	001
05	BAND B, BATTERY	50328-ME8-000	001
06	GROMMET, A/CLNR HSG	83551-300-000	005
07	RUBBER, BATTERY BOX	83618-323-000	008
08	COVER, R. *R114CU*	83640-ME8-000ZA	001
08	CVR, R. SIDE *NH1Z*	83640-ME8-000ZB	001
09	COVER, L. *R114CU*	83740-ME8-000ZA	001
09	CVR, L. SIDE *NH1Z*	83740-ME8-000ZB	001
10	NUT, CAP (6MM)	94021-06020	
		(replaces 94021-06020-0S)	
		(replaces 94022-06020)	002
11	PIN, COTTER (3.0X45)	94201-30450	
		(replaces 94201-30400)	001
12	BOLT, FLANGE (6X10)	95700-06010-08	005
12	BOLT, FLANGE (6X10)	95701-06010-08	005

Block, Cylinder



Crankshaft bearing selection

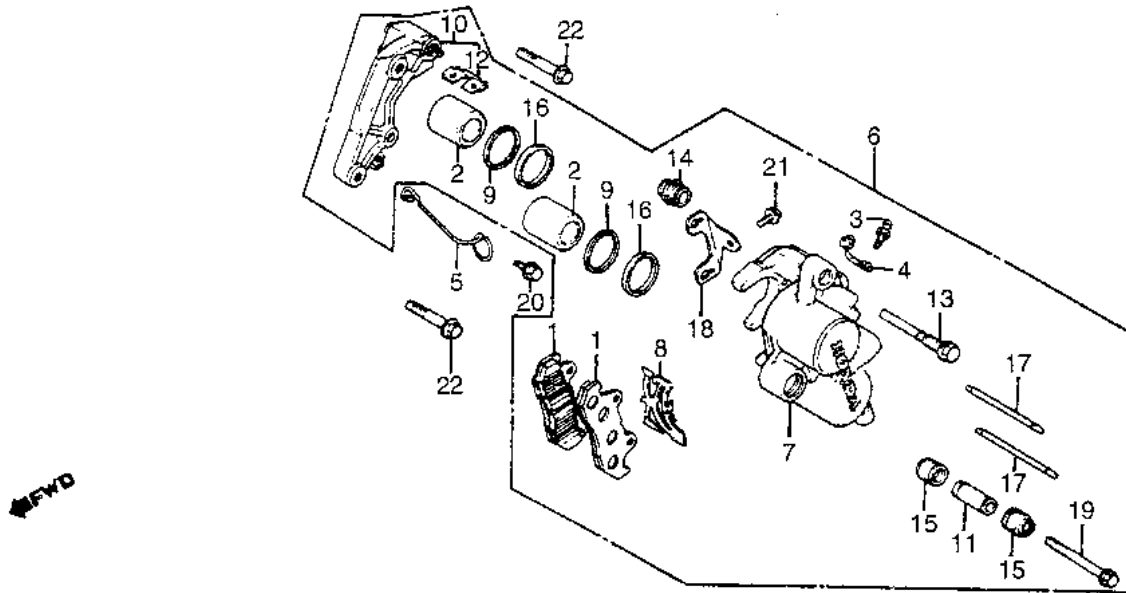
(Oil clearance 30~60 μ m)

Cylinder block and bearing cap I.D. 50 ϕ		Crankshaft O.D. 46 ϕ	
		0 +0.010	+0.010 +0.020
A	0 -0.010	13325-MC7-305 C (Brown)	13324-MC7-305 B (Black)
B	-0.010 -0.020	13324-MC7-305 B (Black)	13323-MC7-305 A (Blue)

REF#	PART		#REQ
01	BLOCK, CYLINDER	11100-ME2-010	001
01	BLOCK, CYLINDER	11100-ME2-020	001
02	SPACER, R. EMBLEM	11102-ME2-000	001
03	SPACER, L. EMBLEM	11103-ME2-000	001
04	EMBLEM, R.	11104-MG0-000	001
05	EMBLEM, L.	11105-MG0-000	001
06	HOLDER, TRANSMISSION	11131-MC7-000	001
07	ORIFICE (8MM)	11132-MC7-000	001
08	CAP, CRANKSHAFT	11140-ME2-000	001
09	JET, R. OIL	11146-ME2-000	001
10	SEPARATOR, OIL	11365-ME2-000	001
11	VALVE	12901-413-000	002
12	BEARING A, MAIN	13323-MC7-305	002
12	BEARING B, MAIN	13324-MC7-305	002
12	BEARING C, MAIN	13325-MC7-305	002
13	COLLAR, O-RING	15155-300-000	003

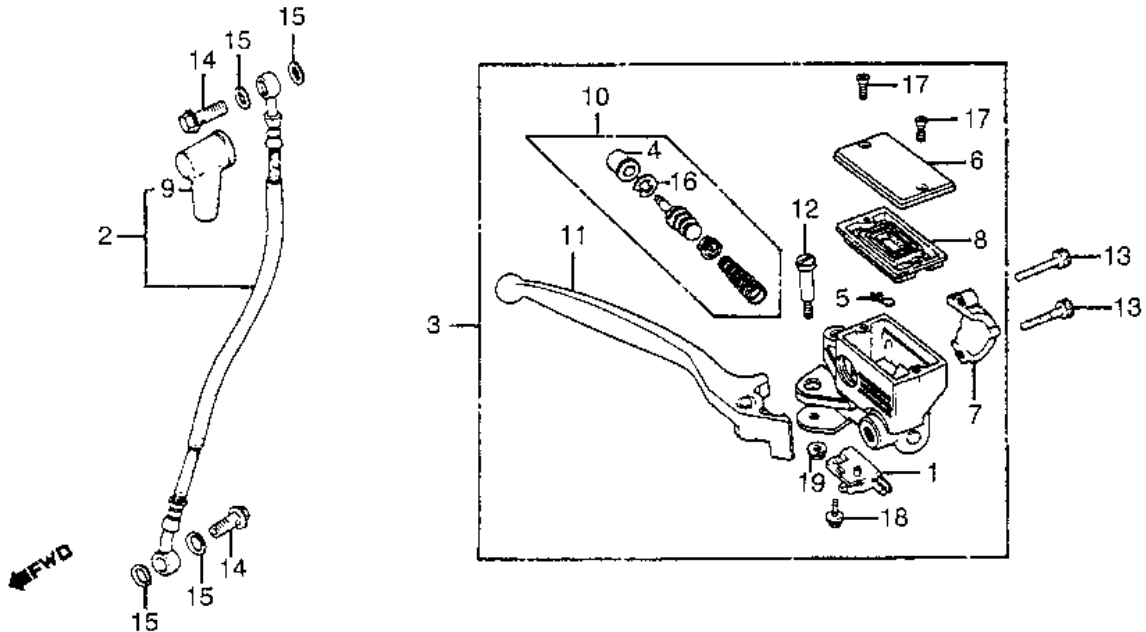
14	DIPSTICK, OIL	15650-MK7-670	
	(replaces	15650-449-000)	001
15	BOLT, FLANGE (6X20)	90003-MB2-000	
	(replaces	90003-MC7-000)	004
16	WASHER (12MM)	90461-357-000	002
17	O-RING (22X3.0)	91307-425-003	
	(replaces	91301-250-000)	001
18	O-RING (13.6X2.4)	91301-268-020	003
19	O-RING (8X1.7)	91306-HB3-003	
	(replaces	91303-001-000)	001
20	O-RING (8.2X1.5)	91308-MC7-000	001
21	BOLT, STUD (10X90)	92700-10090-0B	002
22	SCREW, OVAL (4X8)	93700-04008-0G	004
23	SCREW, TAPPING (4X8)	93901-34120	004
24	NUT, FLANGE (10MM)	94050-10000	002
25	PIN, DOWEL (8X14)	94301-08140	002
26	BOLT, FLANGE (6X12)	95701-06012-00	
	(replaces	95700-06012-00)	002
27	BOLT, FLANGE (6X16)	95701-06016-00	
	(replaces	95700-06016-00)	001
28	BOLT, FLANGE (6X32)	95701-06032-00	
	(replaces	95700-06032-00)	002
29	BOLT, FLANGE (8X25)	95701-08025-00	
	(replaces	95700-08025-00)	007

Brake Caliper



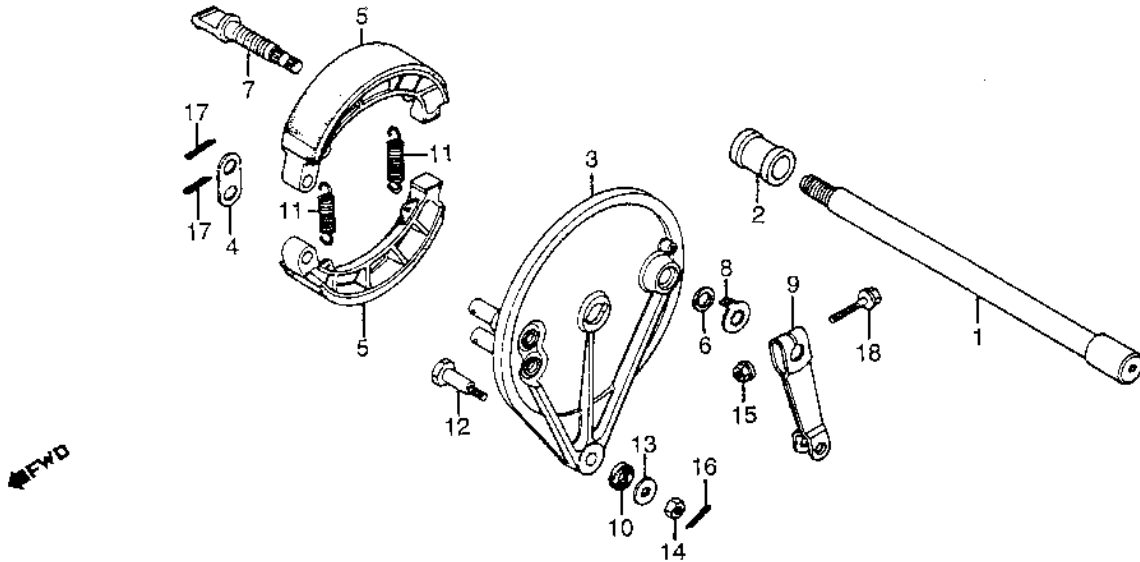
REF#	PART		#REQ
01	PAD, RR.	43105-MJ6-014 (replaces 43105-MC7-007) (replaces 43105-MC7-014) (replaces 43105-MJ6-004)	002
02	PISTON	43107-MA7-006	002
03	SCREW, BLEEDER	43352-568-003	001
04	CAP, BLEEDER	43353-461-771	001
05	CLAMP	44832-ME9-000	001
06	CALIPER, L. FR.	45100-ME4-016 (replaces 45100-ME4-006) (replaces 45100-ME4-007)	001
07	CALIPER, L.	45101-MB9-781	001
08	SPRING, PAD	45108-MA3-006	001
09	DUST SEAL	45109-MA7-006	002
10	BRACKET, L. FR.	45110-MA5-006	001
11	SLEEVE	45111-MA3-006	001
12	RETAINER, BRACKET	45112-445-631	001
13	PIN, BOLT	45131-MA3-006	001
14	BOOT B	45133-MA3-006	001
15	BOOT, PIN	45133-166-016	002
16	SEAL, PISTON	45209-MA7-006	002
17	PIN, HANGER	45215-MA3-006	002
18	PLATE	45217-MA3-006	001
19	BOLT, FLANGE (8X49)	90180-MA3-006	001
20	BOLT, FLANGE (6X10)	95701-06010-00 (replaces 95700-06010-00)	001
21	BOLT, FLANGE (6X10)	95701-06010-07 (replaces 95700-06010-07)	001
22	BOLT, FLANGE (10X40)	95800-10040-00	002
22	BOLT, FLANGE (10X40)	95801-10040-00	002
22	BOLT, FLANGE	95814-10040-00	002
NI	BRAKE PAD KIT	431A0-MC7-02	001

Brake Lines, Front & Master Cylinder & Lever



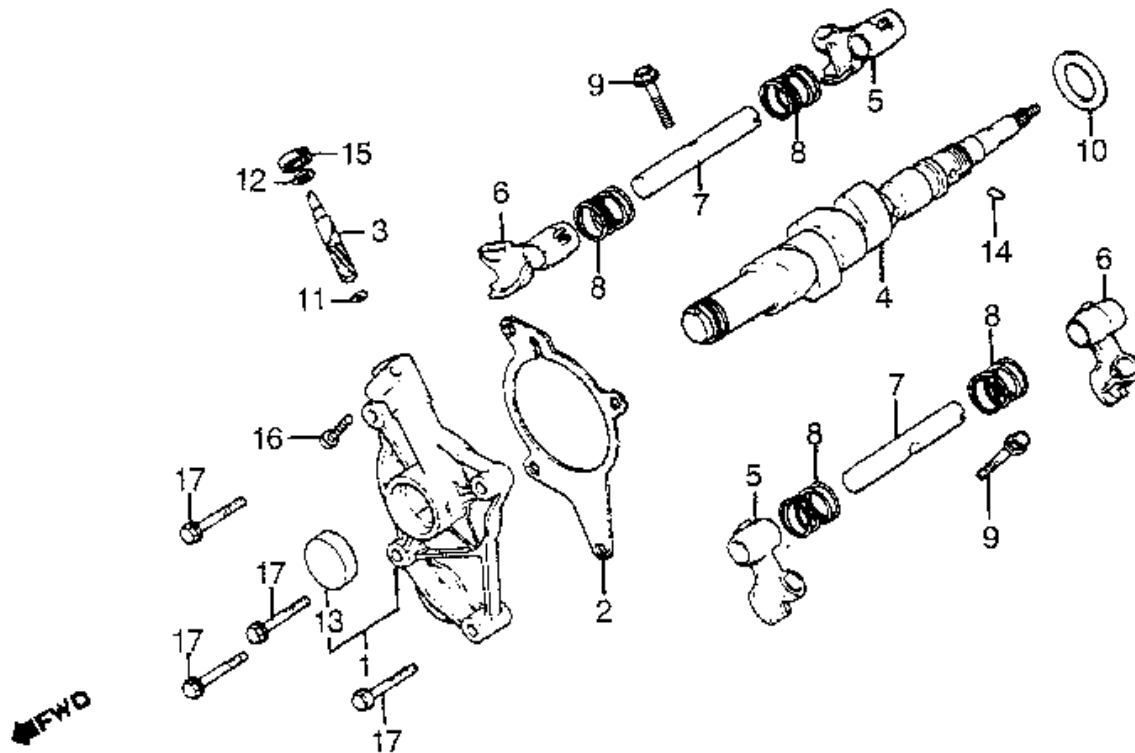
REF#	PART		#REQ
01	SWITCH, FR. STOP	35340-MA5-671	001
02	HOSE, FR. BRAKE	45126-ME8-672	
		(replaces 45126-ME8-671)	001
03	MASTER CYLINDER, FR.	45500-ME8-673	
		(replaces 45500-ME8-671)	001
04	BOOT	45504-410-003	001
05	PROTECTOR	45512-MA6-006	001
06	CAP	45540-MA6-621	001
07	HOLDER	45517-MB0-006	001
08	DIAPHRAGM	45520-MA5-672	
		(replaces 45520-MA5-671)	001
09	BOOT	45522-422-000	001
10	MASTER CYLINDER SET	45530-MA4-671	001
11	LEVER, R. HANDLEBAR	53175-MA6-016	
		(replaces 53175-MA6-006)	001
12	BOLT, R.	90114-MA5-671	001
13	BOLT, SOCKET (6X23)	90117-MB0-000	002
14	BOLT, OIL (10X22)	90145-KM3-751	
		(replaces 90145-961-010)	
		(replaces 90145-KE8-000)	
		(replaces 90145-KM3-750)	002
15	WASHER, OIL BOLT	90545-300-000	004
16	CIRCLIP	90651-MA5-671	001
17	SCREW, FLAT (4X12)	93600-04012-0G	
		(replaces 93600-04012-1G)	002
18	SCREW-WASHER (4X12)	93893-04012-08	
		(replaces 93893-04012-18)	001
19	NUT, FLANGE (6MM)	94050-06000	001

Brake Panel, Rear & Rear Axle



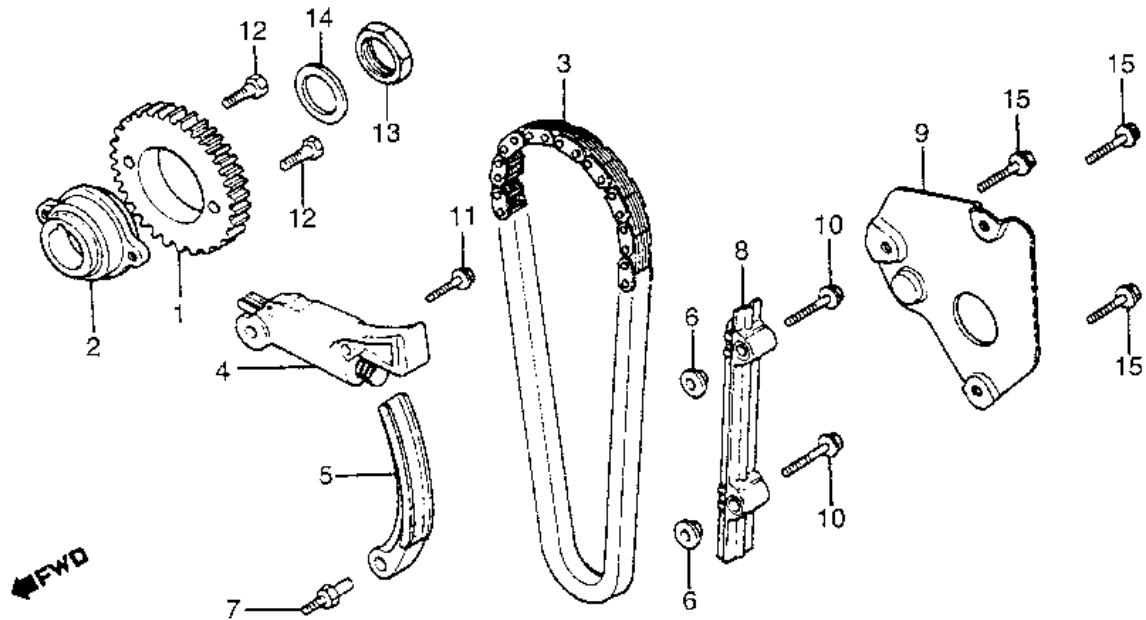
REF#	PART		#REQ
01	AXLE, RR. WHEEL	42301-ME8-000	001
02	COLR, RR. AXLE SIDE	42313-ME8-000	001
03	PANEL, RR.	43100-ME2-000	001
04	WASHER, ANCHOR PIN	43102-319-000	
	(replaces 43106-222-300)		001
05	SHOE, BRAKE	43120-Mw3-671	
	(replaces 43120-415-000)		002
06	DUST SEAL, BRAKE CAM	43134-300-000	001
07	CAM, RR. BRAKE	43141-MB0-010	
	(replaces 43141-MB0-000)		001
08	INDICATOR, RR. BRAKE	43145-415-000	001
09	ARM, RR. BRAKE	43410-415-750	001
10	RUBBER	43434-286-000	001
11	SPRING, FR.	45133-329-000	002
12	BOLT, RR.	90127-393-000	001
13	WASHER A	90524-030-000	
	(replaces 90505-425-000)		001
14	NUT, HEX. (8MM)	94001-08000-0S	001
15	NUT, FLANGE (8MM)	94050-08000	001
16	PIN, COTTER (2.0X35)	94201-20350	
	(replaces 94201-20180)		
	(replaces 94201-20200)		
	(replaces 94201-20250)		
	(replaces 94201-20280)		
	(replaces 94201-20320)		001
16	PIN, COTTER (2.0X22)	94201-29220	001
16	PIN, SPLIT (2.0X22)	94201-20220	001
17	PIN, COTTER (2.5MM)	94201-25300	
	(replaces 94201-25200)		
	(replaces 94201-25250)		002
18	BOLT, FLANGE (8X40)	95701-08040-00	
	(replaces 95700-08040-00)		001
NI	SHOE KIT, BRAKE	06430-Mw3-671	
	(replaces 06430-415-000)		
	(replaces 431A2-415-000)		001

Camshaft & Tachometer Gear



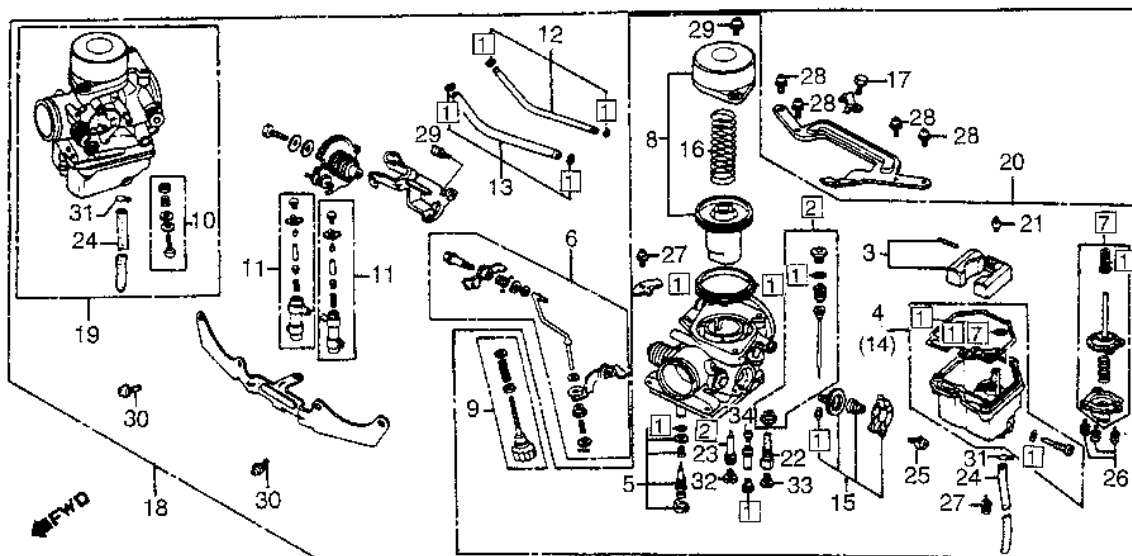
REF#	PART		#REQ
01	HOLDER, CAMSHAFT	12220-ME2-000	001
02	GASKET	12230-415-306	
		(replaces 12230-449-700)	001
03	GEAR, TACHOMETER	12431-415-010	001
04	CAMSHAFT	14100-ME2-000	001
05	ARM A, ROCKER	14441-415-010	002
06	ARM B, ROCKER	14442-415-010	002
07	SHAFT, ROCKER ARM	14451-ME7-000	
		(replaces 14451-415-000)	002
08	SPRING A	14453-415-000	004
09	BOLT, SPECIAL (6X30)	90008-415-000	002
10	WASHER (26MM)	90407-415-000	001
11	WASHER	90441-044-300	001
12	WASHER (6.7MM)	90458-324-000	001
13	COLLAR (28MM)	90702-ME2-000	001
14	ROLLER (5X8.5)	91105-415-000	001
15	OIL SEAL (6X14.5X5)	91211-415-003	
		(replaces 91211-415-004)	001
16	SCREW, PAN (5X20)	93500-05020-0G	001
17	BOLT, FLANGE (6X28)	96001-06028-00	
		(replaces 96000-06028-00)	004

Camshaft Chain & Tensioner



REF#	PART		#REQ
01	SPROCKET, CAM	14321-415-000	001
02	BOSS, CAM SPROCKET	14322-415-000	001
03	CHAIN, CAM	14401-MA1-013	001
04	TENSIONER, CAM CHAIN	14500-MC7-010	001
05	TENSIONER, CAM CHAIN	14511-MC7-000	001
06	COLLAR (6X14.7)	14515-428-000	002
07	PIN	14538-MC7-000	001
08	GUIDE, CAM CHAIN	14620-MC7-000	001
09	PLATE	14623-MC7-000	001
10	BOLT, HEX. (6X30)	90011-415-000	002
11	BOLT, FLANGE (8X32)	90015-MC7-000	001
12	BOLT (7X17)	90081-415-000	002
13	NUT, LOCK (20MM)	90241-MJ8-000	
	(replaces	90207-415-000)	001
14	WASHER, LOCK	90432-121-000	001
15	BOLT, FLANGE (6X16)	95701-06016-00	
	(replaces	95700-06016-00)	003

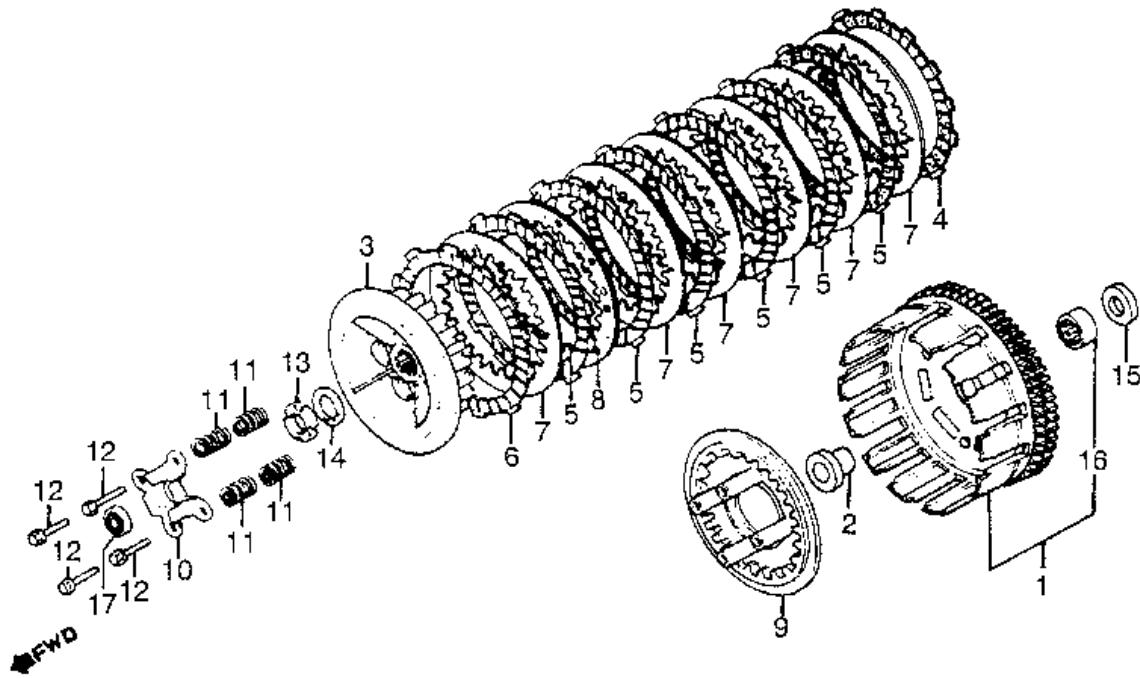
Carburetors



REF#	PART	#REQ
01	GASKET SET (replaces 16010-ME2-305)	002
02	NEEDLE SET, JET	002
03	FLOAT SET (replaces 16013-413-851)	002
04	CHAMBER SET, FLOAT	001
05	SCREW SET A (replaces 16016-KC2-970)	002
06	ROD SET, PUMP	001
07	DIAPHRAGM SET, PUMP	001
08	PISTON SET, VACUUM	002
09	SCREW SET B	001
10	SCREW SET C (replaces 16029-PC6-005)	001
11	HOLDER SET, ADJ.	002
12	JOINT SET, FUEL	001
13	JOINT SET, FUEL	001
14	CHAMBER SET C, FLOAT (replaces 16045-425-871)	001
15	VALVE SET, AIR CUT (replaces 16048-KB7-901)	002
16	SPRING	002
17	BOLT	001
18	CARBURETOR ASSY. (replaces 16100-ME8-671)	001
19	CARBURETOR ASSY., R.	001
20	CARBURETOR ASSY., L.	001
21	VALVE, FLOAT	002
22	HOLDER, NEEDLE JET	002
23	NOZZLE, MAIN	002
24	TUBE (replaces 16199-KG4-405)	002
25	SCREW-WASHER (4X10)	004
26	SCREW-WASHER (4X12)	003
27	SCREW-WASHER (4X16)	008
28	SCREW-WASHER (5X12)	004
29	SCREW-WASHER (5X16)	005
30	SCREW-WASHER (6X14)	004

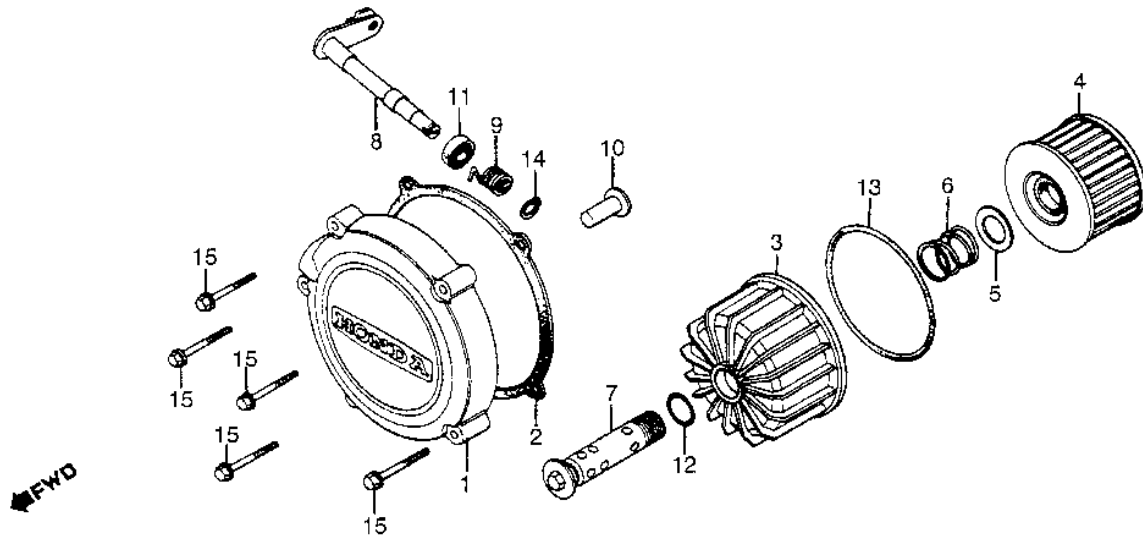
31	CLIP, TUBE (B6.5)	95002-02650	002
32	JET, MAIN (#78)	99101-GHB-0780	
		(replaces 99101-393-0780)	002
33	JET, MAIN (#122)	99101-GHB-1220	
		(replaces 99101-393-1220)	
		(replaces 99102-393-1220)	002
34	JET, SLOW (#45)	99103-MA1-0450	002

Clutch



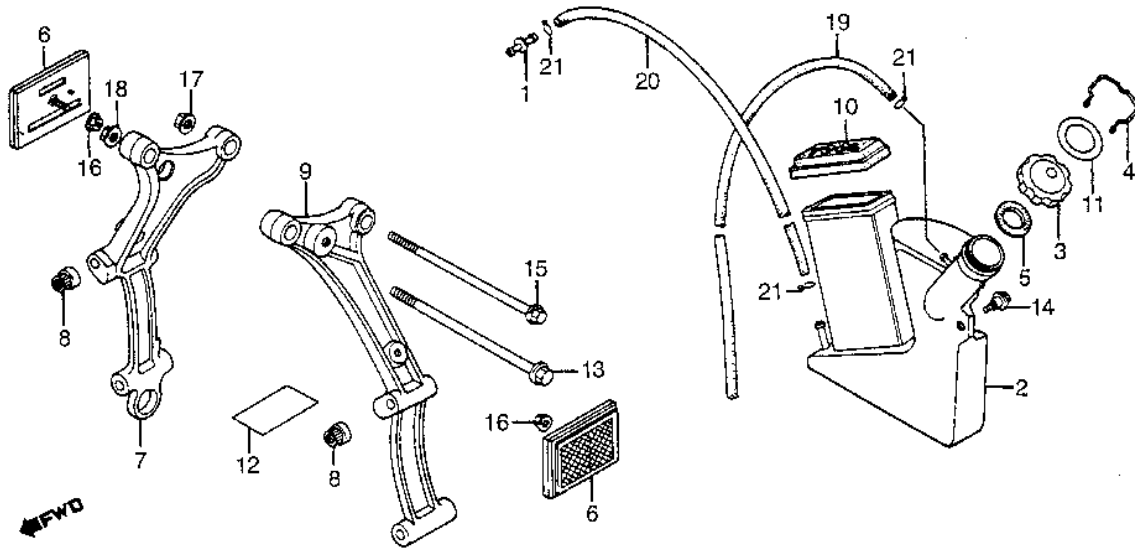
REF#	PART		#REQ
01	CLUTCH (OUTER)	22100-ME2-000	001
02	GUIDE, CLUTCH	22116-ME7-000	
		(replaces 22116-ME2-000)	001
03	CENTER, CLUTCH	22120-ME2-000	001
04	DISK, CL FRICTION	22201-286-010	001
05	DISK, CL FRICTION	22201-415-306	
		(replaces 22201-415-000)	006
06	DISK B, CL FRICTION	22202-392-000	
		(replaces 22202-390-000)	001
07	PLATE B, CLUTCH	22321-329-000	006
08	PLATE B, CLUTCH	22322-390-000	001
09	PLATE, CLU PRESS	22350-ME2-000	001
10	PLATE, CLUTCH LIFTER	22361-415-000	001
11	SPRING, CLUTCH	22401-ME2-000	004
12	BOLT (6X22)	90050-357-000	004
13	NUT, LOCK (20MM)	90204-426-000	001
14	WASHER, LOCK	90432-121-000	001
15	WASHER (25MM)	90453-ME2-000	001
16	BEARING (32X42X20)	91021-ME2-003	001
17	BEARING (6000)	96100-60000-00	001

Clutch Cover & Oil Filter



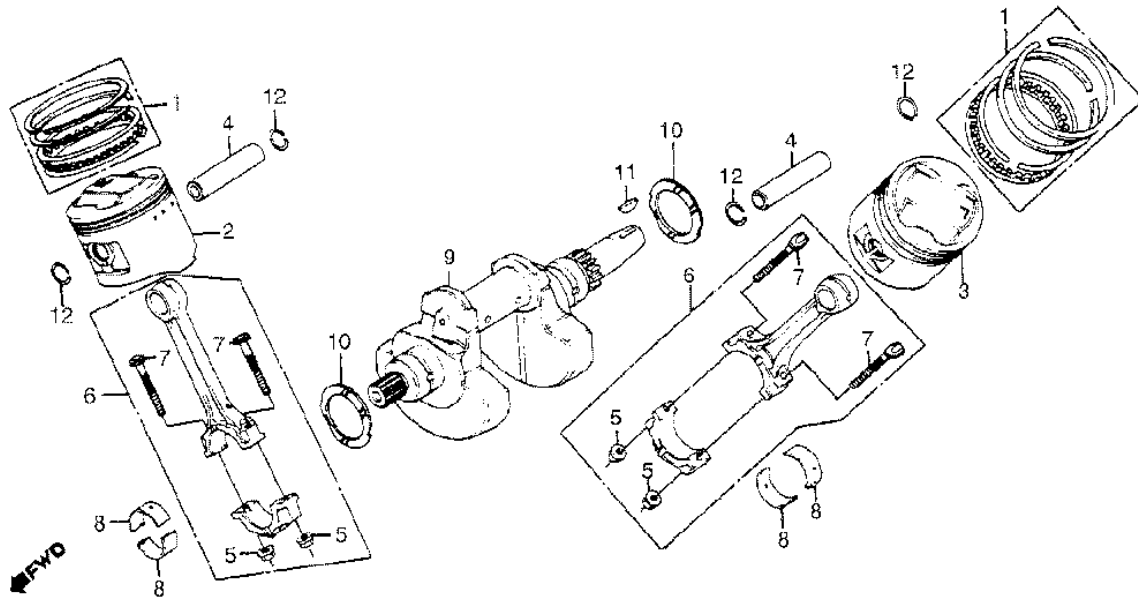
REF#	PART		#REQ
01	COVER, CLUTCH	11370-449-000	001
02	GASKET, CLUTCH COVER	11372-449-306	
	(replaces	11372-449-700)	001
03	CASE, OIL FILTER	15411-449-000	001
04	ELEMENT, OIL FILTER	154A1-413-005	001
05	SEAT	15414-300-000	001
06	SPRING	15415-413-000	001
07	BOLT	15420-MA6-000	
	(replaces	15420-415-000)	001
08	SHAFT, CLUTCH LEVER	22811-MG0-000	001
09	SPRING, CLUTCH LEVER	22815-413-000	001
10	ROD, CLUTCH LIFTER	22847-415-000	001
11	OIL SEAL (12X18X4)	91201-706-003	001
12	O-RING (15X2.5)	91302-377-000	001
13	O-RING (81X4.5)	91315-MA6-003	
	(replaces	91311-415-000)	001
14	CIRCLIP (10MM)	94510-10000	001
15	BOLT, FLANGE (6X28)	96001-06028-00	
	(replaces	96000-06028-00)	005
15	BOLT, FLANGE (6X28)	96001-06028-00	005

Coolant Reserve Tank & Engine Hangers



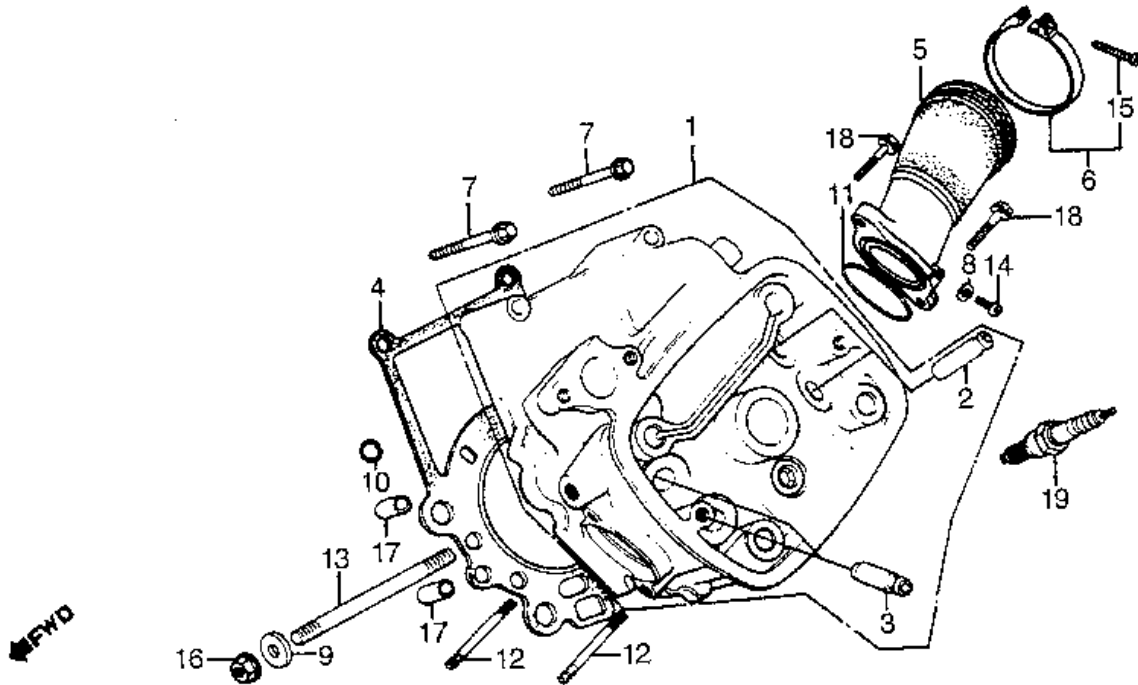
REF#	PART		#REQ
01	JOINT, BREATHER TUBE	17359-419-670	001
02	TANK, RESERVE	19103-ME8-000	001
03	CAP, RESERVE TANK	19104-415-000	001
04	CABLE, CAP LOCK	19105-415-000	001
05	GASKET, RESERVE TANK	19106-415-000	001
06	REFLECTOR, FR.	33741-449-000	002
07	BRKT, R. FR. ENG HGR	50310-ME8-000	001
08	CAP, FR. ENG HGR	50311-MA1-730	002
09	BRKT, L. FR. ENG HGR	50320-ME8-000	001
10	CAP, TOOL BOX	83520-ME8-000	001
11	LABEL, RESERVE TANK	87507-415-670	001
12	LABEL	87508-MA1-770	001
13	BOLT, FLG (12X155)	90111-ME8-000	001
14	BOLT, FLANGE (6MM)	90111-162-000	002
15	BOLT, FLG (10X155)	90108-GE1-670	
	(replaces	90112-ME8-000)	001
16	NUT, FLANGE (6MM)	94050-06080	002
17	NUT, FLANGE (10MM)	94050-10000	001
18	NUT, FLANGE (12MM)	94050-12000	001
19	BULK HOSE (7.5X8000)	95001-75008-60M	001
20	BULK HOSE (7.5X8000)	95001-75008-60M	001
21	CLIP, TUBE (B12)	95002-02120	003

Crankshaft & Pistons



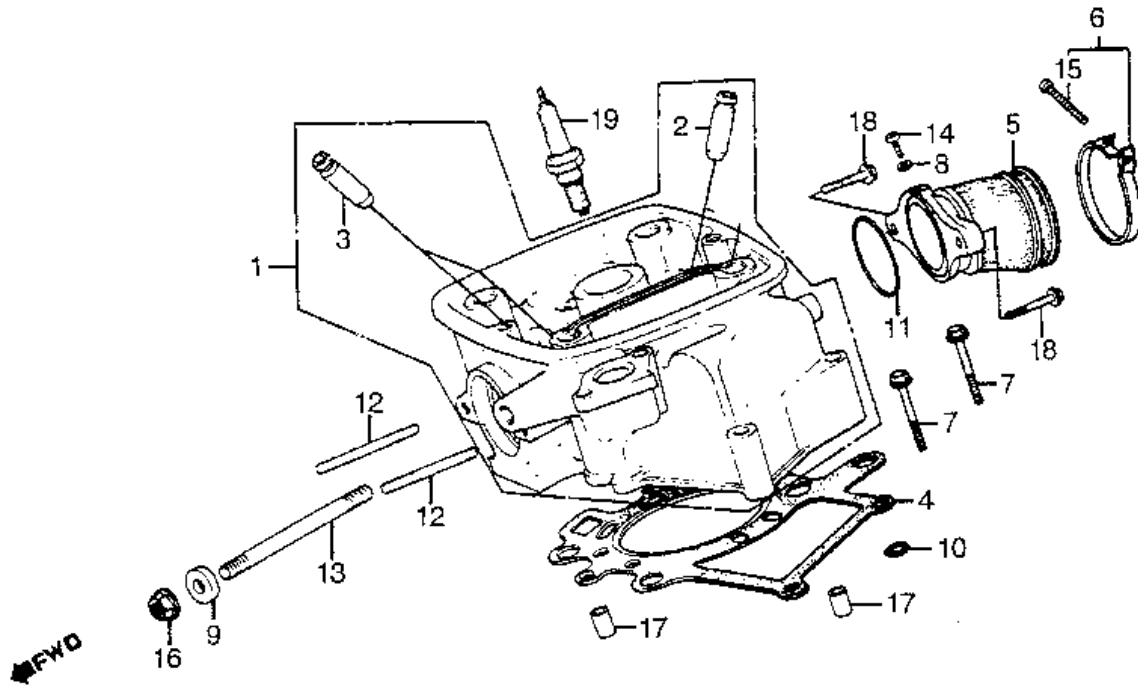
REF#	PART		#REQ
01	RING SET (STD)	13011-ME2-004	002
01	RING SET (OS 0.25)	13021-ME2-004	002
01	RING SET (OS 0.50)	13031-ME2-004	002
02	PISTON, R. (STD)	13101-ME2-000	001
02	PISTON, R. (0. 25)	13103-ME2-000	001
02	PISTON, R. (0. 50)	13105-ME2-000	001
03	PISTON, L. (STD)	13102-ME2-000	001
03	PISTON, L. (0. 25)	13104-ME2-000	001
03	PISTON, L. (OS 0.50)	13106-ME2-000	001
04	PIN, PISTON	13111-ME2-000	002
05	NUT, CONNECTING ROD	13205-ME2-000	004
06	ROD, CONNECTING	13210-ME2-000	002
07	BOLT, CONNECTING ROD	13213-ME2-000	004
08	BEARING B, CONN ROD	13216-ME2-003	004
08	BEARING C, CONN ROD	13217-ME2-003	004
08	BEARING D, CONN ROD	13218-ME2-003	004
08	BEARING E, CONN ROD	13219-ME2-003	004
08	BEARING F, CONN ROD	13220-ME2-003	004
09	CRANKSHAFT	13300-ME2-000	001
10	WASHER, CRANK SIDE	13326-ME2-003	002
11	KEY (25X18)	13331-357-000	001
12	CLIP (21MM)	94601-21000	004

Cylinder Head, Left



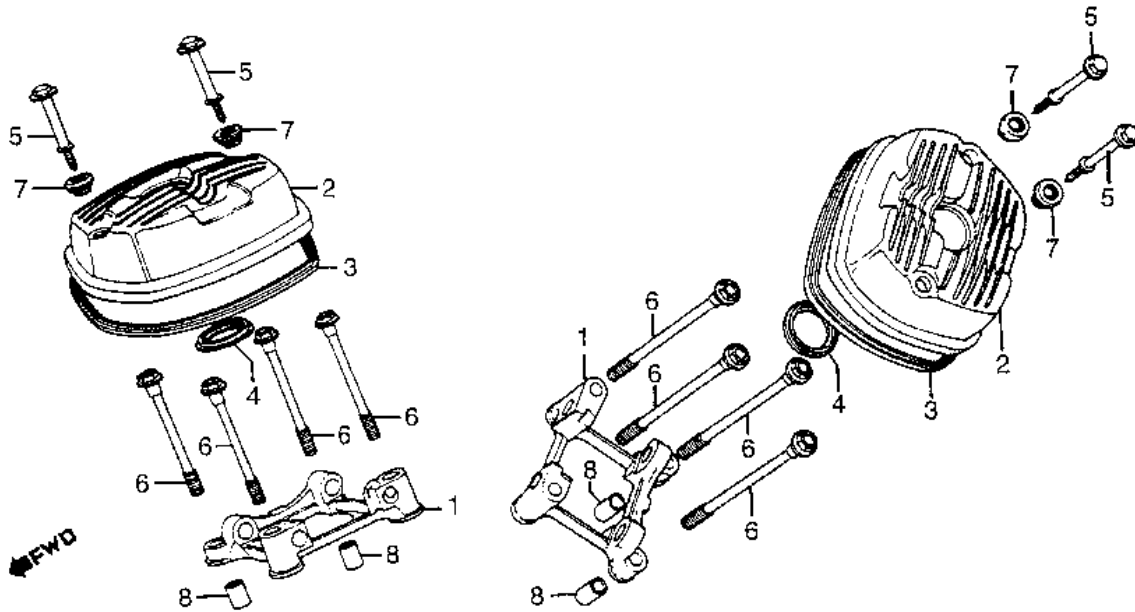
REF#	PART		#REQ
01	CYLINDER HEAD, L.	12210-ME2-000	001
02	GUIDE, IN VALVE	12233-MG8-405	
		(replaces 12231-415-305)	002
03	GUIDE, IN VALVE	12233-MG8-405	
		(replaces 12241-MA1-305)	002
04	GASKET, CYL HD	12251-ME2-405	
		(replaces 12251-ME2-000)	001
05	INSULATOR, L. CARB	16221-ME2-000	001
06	BAND (56)	95018-56200	
		(replaces 17255-356-000)	
		(replaces 90651-GHB-710)	001
07	BOLT, FLANGE (8X55)	90068-415-000	
		(replaces 90068-ME2-000)	002
08	WASHER (5MM)	90452-323-000	001
09	WASHER (10X24)	90516-187-000	
		(replaces 90455-MA1-000)	001
10	O-RING (6.9X1.5)	91302-044-013	001
11	O-RING (40X2.4)	91325-413-830	
		(replaces 91325-567-005)	001
12	BOLT, STUD (6X55)	92700-06055-0B	002
13	BOLT, STUD (10X80)	92900-10080-0B	
		(replaces 92700-10100)	001
14	SCREW, PAN (5X8)	93500-05008-0A	001
15	SCREW, PAN (5X20)	93500-05020-0G	001
16	NUT, FLANGE (10MM)	94050-10000	001
17	PIN, DOWEL (8X14)	94301-08140	002
18	BOLT, FLANGE (6X22)	96001-06022-00	
		(replaces 96000-06022-00)	002
19	S/PLG (DPR8EA-9)	98069-58916	001
19	S/PLG (X24EPR-U9)	98069-58926	001
19	S/PLG (DPR9EA-9)	98069-59916	001
19	S/PLG (X27EPR-U9)	98069-59926	001

Cylinder Head, Right



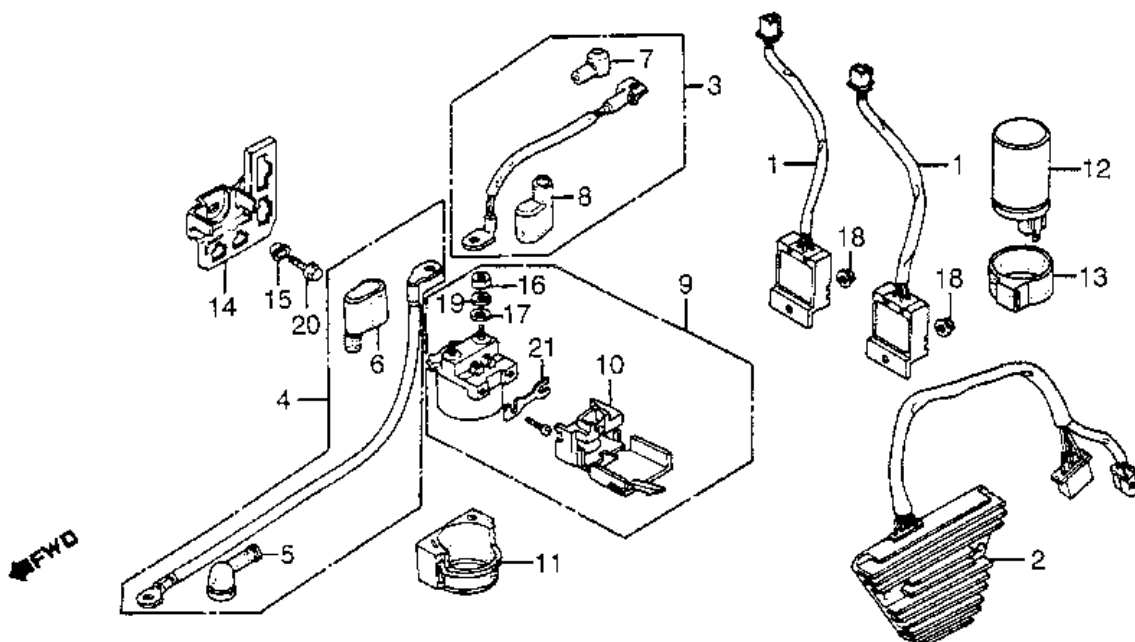
REF#	PART		#REQ
01	CYLINDER HEAD, R.	12200-ME2-000	001
02	GUIDE, IN VALVE	12233-MG8-405	
		(replaces 12231-415-305)	002
03	GUIDE, IN VALVE	12233-MG8-405	
		(replaces 12241-MA1-305)	002
04	GASKET, CYL HD	12251-ME2-405	
		(replaces 12251-ME2-000)	001
05	INSULATOR, R. CARB	16211-ME2-000	001
06	BAND (56)	95018-56200	
		(replaces 17255-356-000)	
		(replaces 90651-GHB-710)	001
07	BOLT, FLANGE (8X55)	90068-415-000	
		(replaces 90068-ME2-000)	002
08	WASHER (5MM)	90452-323-000	001
09	WASHER (10X24)	90516-187-000	
		(replaces 90455-MA1-000)	001
10	O-RING (6.9X1.5)	91302-044-013	001
11	O-RING (40X2.4)	91325-413-830	
		(replaces 91325-567-005)	001
12	BOLT, STUD (6X55)	92700-06055-0B	002
13	BOLT, STUD (10X80)	92900-10080-0B	
		(replaces 92700-10100)	001
14	SCREW, PAN (5X8)	93500-05008-0A	001
15	SCREW, PAN (5X20)	93500-05020-0G	001
16	NUT, FLANGE (10MM)	94050-10000	001
17	PIN, DOWEL (8X14)	94301-08140	002
18	BOLT, FLANGE (6X22)	96001-06022-00	
		(replaces 96000-06022-00)	002
19	S/PLG (DPR8EA-9)	98069-58916	001
19	S/PLG (X24EPR-U9)	98069-58926	001
19	S/PLG (DPR9EA-9)	98069-59916	001
19	S/PLG (X27EPR-U9)	98069-59926	001

Cylinder Head Covers



REF#	PART		#REQ
01	HOLDER	12215-ME7-000	
		(replaces 12215-415-000)	002
02	COVER, CYLINDER HEAD	12311-ME2-000	002
03	GASKET, HEAD COVER	12328-415-000	002
04	GASKET, PLUG HOLE	12329-415-000	002
05	BOLT, SPECIAL (6X60)	90016-MC7-000	004
06	BOLT, FLG (12X150)	90021-415-000	008
07	RUBBER, SETTING	90541-371-000	004
08	PIN, DOWEL (14X20)	94301-14200	004

Electrical Plate & Modules



REF#	PART		#REQ
01	MODULE, IGN CONT	30400-MA4-601	
		(replaces 30400-461-155)	002
02	RECTIFIER, REGULATOR	31600-ME8-000	001
03	CABLE	32401-ME8-000	001
04	CABLE, STARTER MOTOR	32410-ME2-000	001
05	COVER	32411-230-000	
		(replaces 32411-253-000)	001
06	COVER	32412-ME2-000	001
07	COVER, BATTERY	32414-ME8-000	001
08	COVER A	32415-425-000	001
09	SWITCH	35851-MJ0-000	
		(replaces 35850-ME8-007)	001
10	COVER, FUSE	35852-ME8-007	001
11	RUB, SHOCK ABSORBER	35856-MB0-007	001
12	RELAY, TURN SIGNAL	38301-MG9-681	
		(replaces 38301-MB0-004)	001
13	SUSPENSION	38306-292-000	001
14	PLATE, ELECTRIC	50340-ME8-000	001
15	COLLAR	90522-170-700	001
16	NUT, HEX. (6MM)	94002-06000-0S	002
17	WASHER, PLAIN (6MM)	94101-06800	002
18	NUT, FLANGE (6MM)	94050-06080	002
19	WASHER, SPRING (6MM)	94111-06800	002
20	BOLT, FLANGE (6X12)	95700-06012-08	001
20	BOLT, FLANGE (6X12)	95701-06012-08	001
21	FUSE F (30A)	98200-53000	002

Emblems



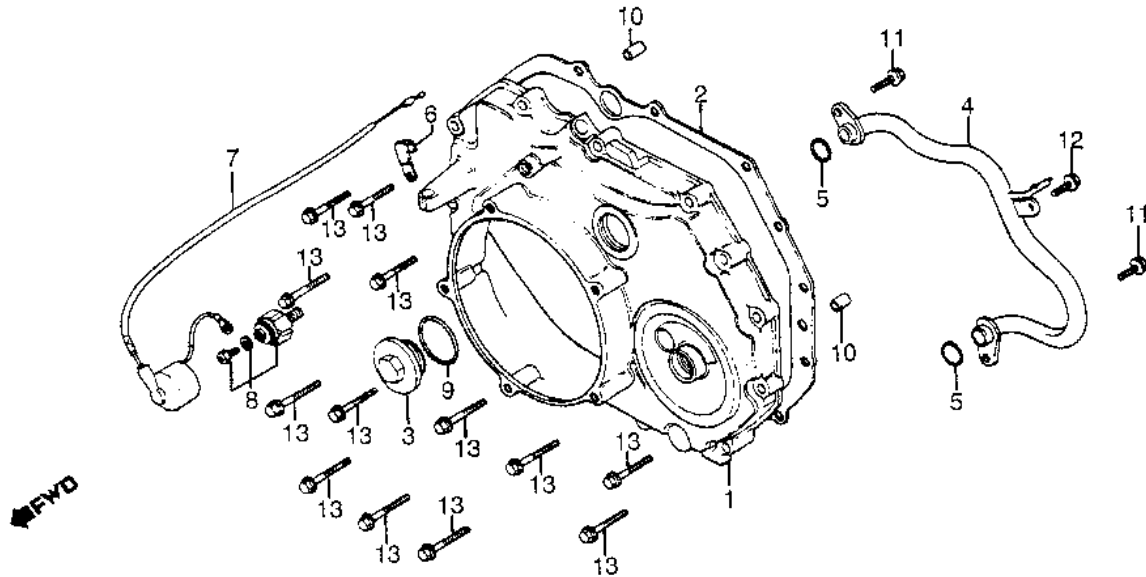
1
(2)



3

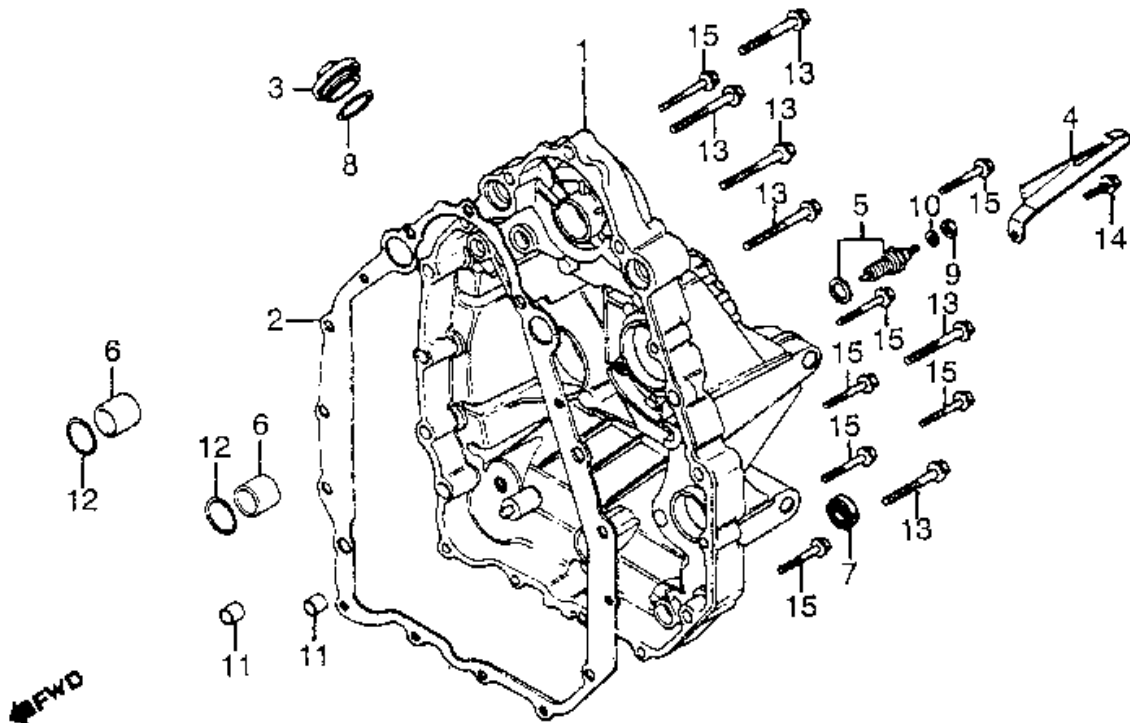
REF#	PART		#REQ
01	EMBLEM, R. FUEL TANK	17531-ME9-300	001
02	EMBLEM, L. FUEL TANK	17532-ME9-300	001
03	EMBLEM, RR. (TYPE1)	87125-ME8-000ZA	002
03	EMBLEM, RR. (TYPE2)	87125-ME8-000ZB	002

Engine Cover, Front (Transmission Cover)



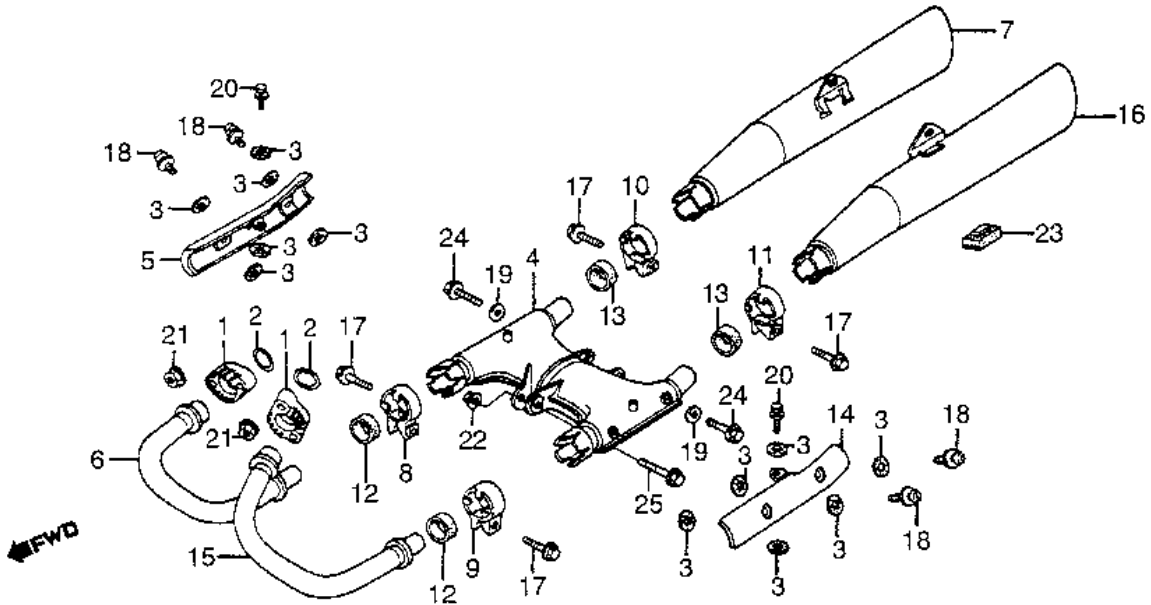
REF#	PART		#REQ
01	COVER, TRANSMISSION	11360-ME2-000	001
02	GASKET, TRANS CVR	11391-ME2-306	
	(replaces	11391-ME2-000)	001
03	CAP	12363-MC7-000	001
04	PIPE, OIL PASSAGE	15142-ME2-000	001
05	O-RING (11.8X2.4)	91302-ZE9-003	
	(replaces	16997-357-003)	
	(replaces	91302-ZE9-000)	
	(replaces	91320-HA5-000)	
	(replaces	91320-HA5-003)	002
05	O-RING (11.8X2.4)	91320-MJ6-003	002
06	CLAMP, CABLE	32111-323-000	001
07	SUB-WIRE	32103-KAZ-000	
	(replaces	32117-MA1-730)	001
08	SWITCH, OIL PRESSURE	35500-MJ4-024	
	(replaces	35500-MB9-004)	
	(replaces	35500-MJ0-004)	
	(replaces	35500-MJ4-004)	
	(replaces	35500-MJ4-014)	001
09	O-RING (27.5X2.6)	91302-001-710	
	(replaces	91302-001-000)	001
10	PIN, DOWEL (8X14)	94301-08140	002
11	BOLT, FLANGE (6X14)	95701-06014-00	
	(replaces	95700-06014-00)	002
12	BOLT, FLANGE (6X14)	96001-06014-00	
	(replaces	96000-06014-00)	001
13	BOLT, FLANGE (6X28)	96001-06028-00	
	(replaces	96000-06028-00)	013

Engine Cover, Rear



REF#	PART		#REQ
01	COVER, RR.	11310-ME2-000	001
02	GASKET, RR. COVER	11394-449-306	
	(replaces	11394-449-701)	001
03	CAP	12363-MC7-000	001
04	GUIDE, NEUTRAL CABLE	31140-415-000	001
05	SWITCH, NEUTRAL	35600-413-023	
	(replaces	35600-413-003)	
	(replaces	35600-413-013)	001
06	COLLAR (22.2MM)	90701-415-000	002
07	OIL SEAL (14X26X6)	91251-ZW5-003	
	(replaces	91201-023-020)	
	(replaces	91203-023-020)	001
08	O-RING (27.5X2.6)	91302-001-710	
	(replaces	91302-001-000)	001
09	NUT, HEX. (4MM)	94001-04000-0S	001
10	WASHER, SPRING (4MM)	94111-04800	001
11	PIN, DOWEL (10X16)	94301-10160	002
12	O-RING (23X2.8)	94608-50000	002
13	BOLT, FLANGE (8X40)	95701-08040-00	
	(replaces	95700-08040-00)	006
14	BOLT, FLANGE (6X14)	96001-06014-00	
	(replaces	96000-06014-00)	001
15	BOLT, FLANGE (6X32)	96001-06032-00	
	(replaces	96000-06032-00)	007

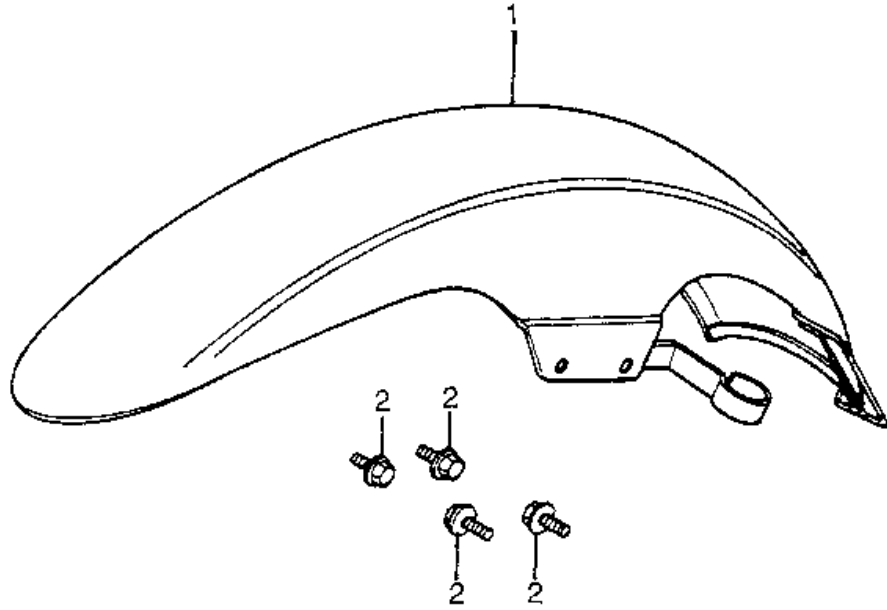
Exhaust System



REF#	PART		#REQ
01	JOINT, EX. PIPE	18231-415-000	002
02	GASKET, EX. PIPE	18291-286-306	
	(replaces	18291-286-000)	002
03	GASKET, PROTECTOR	18292-MM9-740	
	(replaces	18292-415-000)	
	(replaces	18292-KF9-900)	012
04	PRE CHAMBER	18310-ME8-611	
	(replaces	18310-ME8-671)	001
05	PROTR, R. CHAMBER	18315-ME8-003	001
06	PIPE, R. EX.	18320-ME8-611	
	(replaces	18320-ME8-671)	001
07	MUFFLER, R.	18330-ME8-405	
	(replaces	18330-ME8-671)	001
08	BAND, R. FR. MUFFLER	18373-413-000	001
09	BAND, L. FR. MUFFLER	18374-413-000	001
10	BAND, R. RR. MUFFLER	18375-413-000	001
11	BAND, L. RR. MUFFLER	18376-413-000	001
12	GASKET, MUFFLER	18392-MK4-000	
	(replaces	18391-317-000)	
	(replaces	18391-317-010)	002
13	GASKET, RR. MUFFLER	18392-MG7-750	
	(replaces	18392-413-000)	002
14	PROTR, L. CHAMBER	18415-ME8-003	001
15	PIPE, L. EX.	18420-ME8-611	
	(replaces	18420-ME8-671)	001
16	MUFFLER, L.	18430-ME8-405	
	(replaces	18430-ME8-671)	001
17	BOLT, FLANGE (8X37)	90118-471-000	004
18	SCREW-WASHER	90136-415-750	004
19	WASHER, LOCK	90401-MA1-000	002
20	BOLT-WASHER (6X12)	93401-06012-00	002
20	BOLT-WASHER (6X12)	93491-06012-00	002
21	NUT, FLANGE (6MM)	94050-06000	004
22	NUT, FLANGE (8MM)	94050-08080	001
23	RUBBER A	95011-61000	001
24	BOLT, FLANGE (8X20)	95701-08020-08	

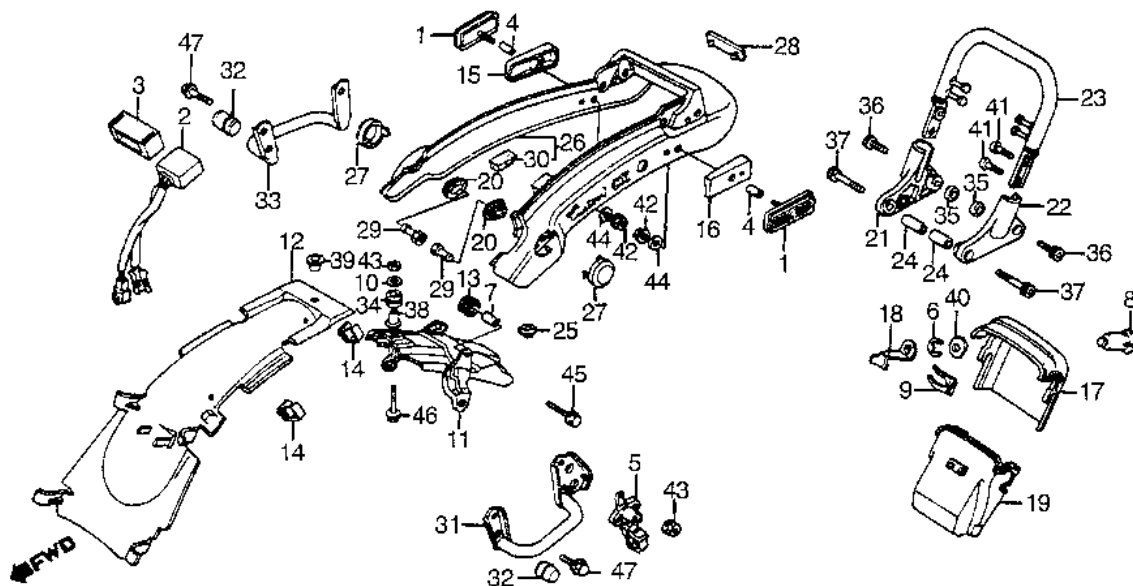
		(replaces 95700-08020-08)	
		(replaces 95701-08020-18)	002
25	BOLT, FLANGE (8X50)	95700-08050-08	001
25	BOLT, FLANGE (8X50)	95701-08050-08	001

Fender, Front



REF#	PART		#REQ
01	FENDER, FR.	61100-ME8-405	
		(replaces 61100-ME8-000)	001
02	BOLT, FLANGE (6X14)	95701-06014-08	
		(replaces 95700-06014-08)	004

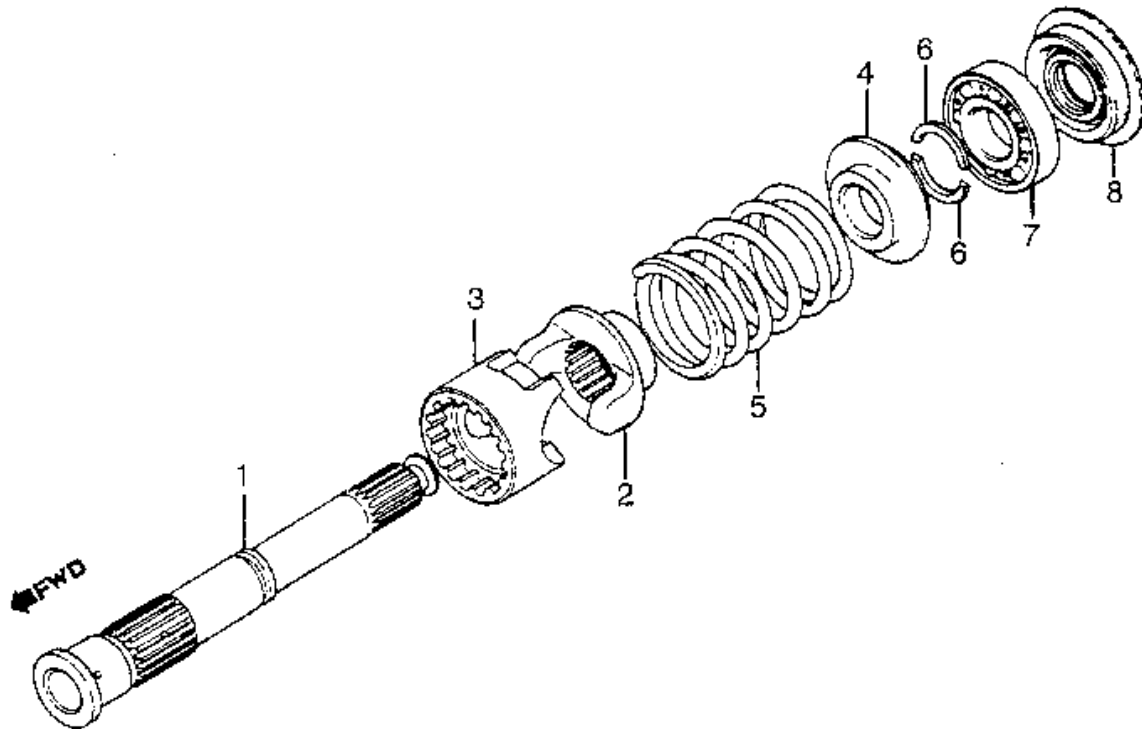
Fender, Rear



REF#	PART		#REQ
01	REFLECTOR, REFLEX	33741-ME8-003	002
02	SENSOR, STOP & TAIL	35550-ME8-670	001
03	SUSPENSION	35552-ME8-000	001
04	COLLAR	37312-061-810	002
05	HOLDER ASSY., HELMET	50710-MB1-871	
	(replaces 50710-MB1-701)		001
	(replaces 50710-MB1-870)		001
06	E-CLIP	73146-538-000	001
07	COLLAR, SEAT LOCK	77112-397-770	002
08	LOCK ASSY., LID	77210-460-902	001
09	SPRING	77211-460-900	001
10	WASHER, SEAT SETTING	77302-124-000	001
11	FENDER A, RR.	80100-ME8-000	001
12	FENDER B, RR.	80105-ME8-000	001
13	RUBBER B, RR. FENDER	80106-028-010	002
14	CLAMP, CABLE	80110-147-000	002
15	BASE, R.	80111-ME8-670	001
16	BASE, L.	80112-ME8-670	001
17	LID, TAIL BOX	83501-ME8-000	001
18	PLATE, LOCK	83502-ME8-000	001
19	BOX ASSY., TAIL	83515-ME8-000	001
20	GROMMET, A/CLNR HSG	83551-GE2-000	004
21	BRACKET, R. RR. GRIP	83601-ME8-000	001
22	BRACKET, L. RR. GRIP	83602-ME8-000	001
23	PIPE, RR. GRIP	83603-ME8-000	001
24	COLLAR, RR. GRIP	83605-ME8-000	002
25	RUBBER, BATTERY BOX	83618-323-000	001
26	COWL, RR. *R114CU*	837A3-ME8-000ZA	001
26	COWL SET, RR. *NH1Z*	837A3-ME8-000ZB	001
27	CAP, RR. SHOCK TOP	83731-ME8-000	002
28	EMBLEM, RR. COWL	83732-ME8-000	001
29	STAY, RR. COWL	83733-ME8-000	004
30	RUBBER, RR. COWL	83735-ME8-300	002
31	PIPE, L. GRIP	84100-ME8-000	001
32	RUBBER, RR.	84104-422-000	002
33	PIPE, R. GRIP	84110-ME8-000	001
34	RUBBER	84703-425-000	001

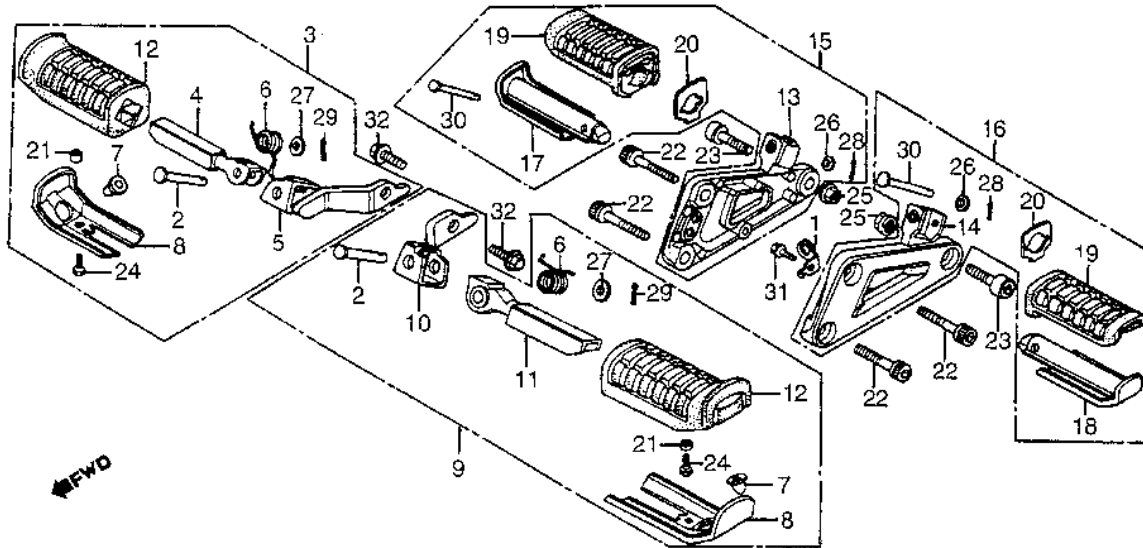
35	COLR, MIRROR SETTING	88315-GA7-000	002
36	BOLT, SOCKET (8MM)	90116-125-782	002
37	BOLT, SOCKET (8X42)	0166-ME8-000	002
38	COLLAR (6.2X12)	90501-425-000	001
39	WASHER, RR. COVER	90506-425-000	001
40	WASHER (10MM)	90535-MA3-000	001
41	SCREW, PAN (6X18)	93500-06018-0A	
	(replaces	93500-06018)	004
42	NUT, FLANGE (5MM)	94050-05080	002
43	NUT, FLANGE (6MM)	94050-06080	003
44	WASHER, PLAIN (5MM)	94101-05800	002
45	BOLT, FLANGE (6X25)	95700-06025-08	002
45	BOLT, FLANGE (6X25)	95701-06025-08	002
46	BOLT, FLANGE (6X32)	95701-06032-08	
	(replaces	95700-06032-08)	001
47	BOLT, FLANGE (8X14)	95701-08014-08	
	(replaces	95700-08014-08)	004

Final Shaft



REF#	PART		#REQ
01	SHAFT, FINAL	23521-MG0-000	001
02	LIFTER, DAMPER	23721-MA1-000	001
03	CAM, DAMPER	23722-MC7-000	001
04	STOPPER	23731-371-000	001
05	SPRING, DAMPER	23732-MA1-000	001
06	WASHER	23733-371-000	002
07	BEARING (62/22)	91002-PL0-018	
		(replaces 91002-PL0-008)	
		(replaces 91005-634-004)	
		(replaces 91005-634-008)	
		(replaces 91005-657-003)	
		(replaces 91005-657-004)	
		(replaces 91005-657-008)	001
08	OIL SEAL (22X36X7)	91202-MC7-000	
		(replaces 91202-415-003)	
		(replaces 91202-415-004)	001

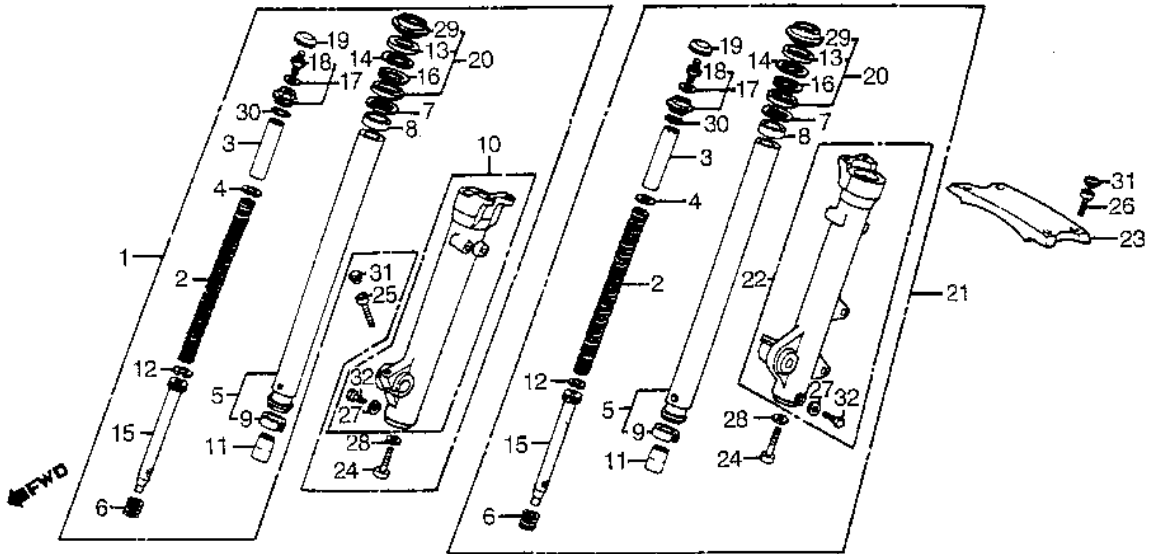
Footpegs



REF#	PART		#REQ
01	STAY, STOP SWITCH	35358-ME8-000	001
02	PIN, STEP BAR JOINT	50603-033-010	
	(replaces 50603-033-000)		002
03	FOOTPEG, R. MAIN	50610-ME8-000	
	(replaces 50610-ME8-305)		001
04	BAR, R. FOOTPEG	50612-ME8-000	001
04	BAR, R. FOOTPEG	50612-ME8-305	001
05	ARM, R. FOOTPEG	50615-ME8-000	001
06	SPRING	50617-438-000	002
07	SLIDER, STEP	50618-MB1-000	002
08	STOPPER, STEP RUBBER	50619-MB0-000	002
09	FOOTPEG, L. MAIN	50620-ME8-000	001
09	FOOTPEG, L. MAIN	50620-ME8-305	001
10	ARM, L. FOOTPEG	50625-ME8-000	001
11	BAR, L. FOOTPEG	50642-ME8-000	001
11	BAR, L. FOOTPEG	50642-ME8-305	001
12	RUBBER, FOOTPEG	50661-ME8-000	002
12	RUBBER, MAIN FOOTPEG	50661-ME8-305	002
13	HOLDER, R.	50680-ME8-000	001
14	HOLDER, L.	50690-ME8-000	001
15	FOOTPEG, R. PILLION	50700-ME8-000	001
16	FOOTPEG, L. PILLION	50705-ME8-000	001
17	BAR, R. PILLION STEP	50711-MB1-000	001
18	BAR, L.	50712-MB1-000	001
19	RUBBER, PILLION STEP	50713-MB1-000	002
20	WASHER, PILLION STEP	50714-MB1-000	002
21	COLR, BUZZER SETTING	61309-303-810	002
22	BOLT, SOCKET (8X28)	90105-MA6-750	
	(replaces 90105-422-000)		004
23	BOLT, SOCKET (10X25)	90117-ME8-000	002
24	BOLT, HEX. (6X16)	92101-06016-0A	
	(replaces 92000-06016-0A)		
	(replaces 92100-06016-0A)		002
25	NUT, FLANGE (10MM)	94050-10000	002
26	WASHER, PLAIN (6MM)	94101-06800	
	(replaces 94101-06000)		
	(replaces 94101-06080)		002
27	WASHER, PLAIN (8MM)	94101-08000	002

28	PIN, COTTER (1.6X10)	94201-16100	002
29	PIN, COTTER (1.6X25)	94201-16250	
	(replaces 94201-16150)		002
30	PIN C	95015-83000	002
31	BOLT, FLANGE (6X10)	95701-06010-00	
	(replaces 95700-06010-00)		001
32	BOLT, FLANGE (10X20)	95701-10020-00	
	(replaces 95700-10020-00)		002

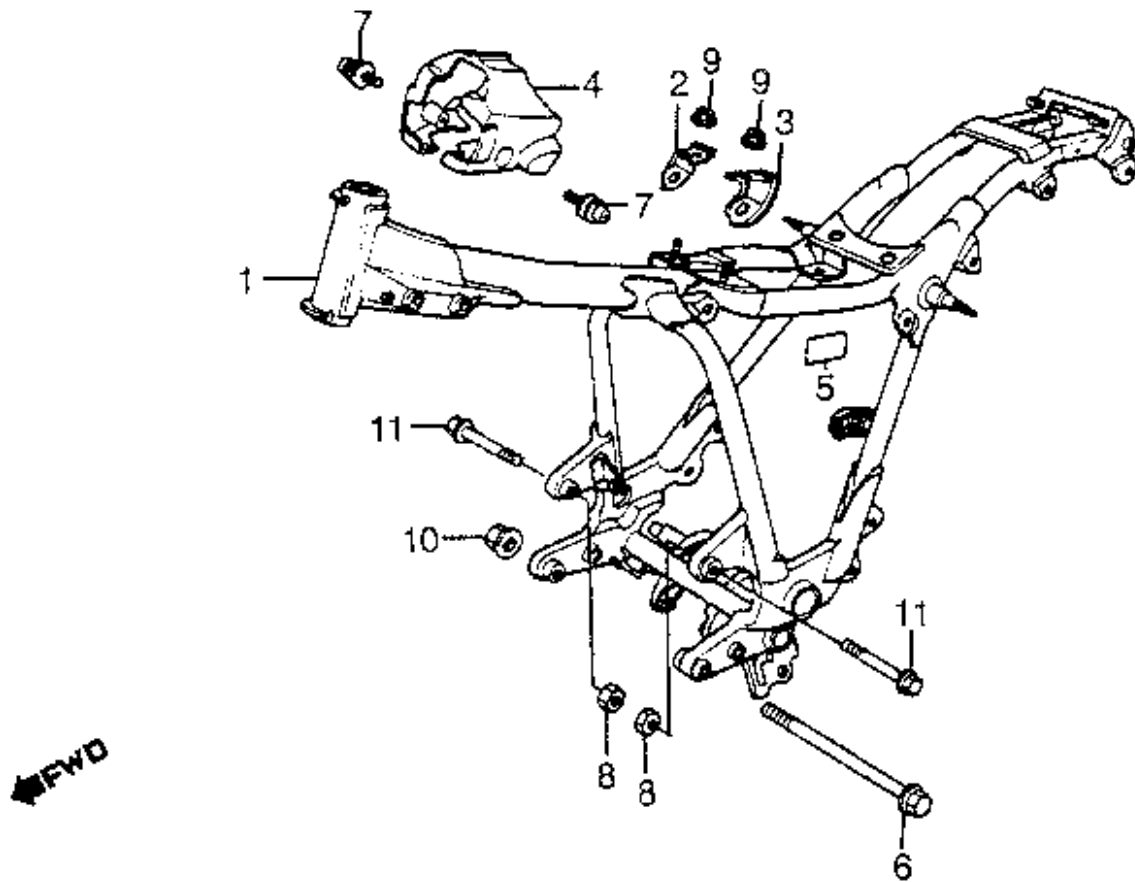
Forks



REF#	PART		#REQ
01	FORK ASSY., R. FR.	51400-ME8-672	001
02	SPRING, FR. FORK	51401-ME8-003	002
03	COLLAR, SPRING	51402-ME9-003	002
04	PLATE, SPRING JOINT	51403-ME5-003	002
05	PIPE, FR. FORK	51410-ME8-003	002
06	SPRING, REBOUND	51411-ME5-003	002
07	RING, BACK-UP	51412-463-003	002
08	BUSH, FORK PIPE	51414-463-003	002
09	SLEEVE, FORK PIPE	51415-463-003	002
10	CASE, R. (LOWER)	51421-ME8-003	001
11	PIECE, OIL LOCK	51432-463-003	002
12	RING, PISTON	51437-ME5-003	002
13	HOLDER, GREASE	51438-MB9-781	002
14	WASHER, HOLDER	51439-MB9-781	002
15	PIPE, SEAT	51440-ME8-671	002
16	CIRCLIP (INNER)	51447-463-003	002
17	BOLT ASSY., FR. FORK	51450-ME5-003	002
18	VALVE, AIR	51456-469-013	002
19	CAP, AIR VALVE	51457-MG1-003	002
20	SEAL SET, FR. FORK	51490-MB9-782	
	(replaces	51490-463-305)	
	(replaces	51490-MB9-781)	
	(replaces	51490-MG2-305)	002
21	FORK ASSY., L. FR.	51500-ME8-672	001
22	CASE, L. (LOWER)	51521-ME8-003	001
23	STABILIZER, FR. FORK	53240-MB1-050	
	(replaces	53240-MB1-010)	
	(replaces	53240-MB1-020)	
	(replaces	53240-MB1-030)	
	(replaces	53240-MB1-040)	001
24	BOLT, SOCKET (8X27)	90116-383-721	
	(replaces	90116-283-010)	002
25	BOLT, SOCKET (8X28)	90152-ME5-000	001
26	BOLT, SOCKET (8X17)	90153-MB0-405	
	(replaces	90153-MB0-000)	004
27	GASKET, FR.	90543-273-000	002
28	WASHER (8MM)	90544-283-000	002
29	DUST SEAL	91254-463-003	002

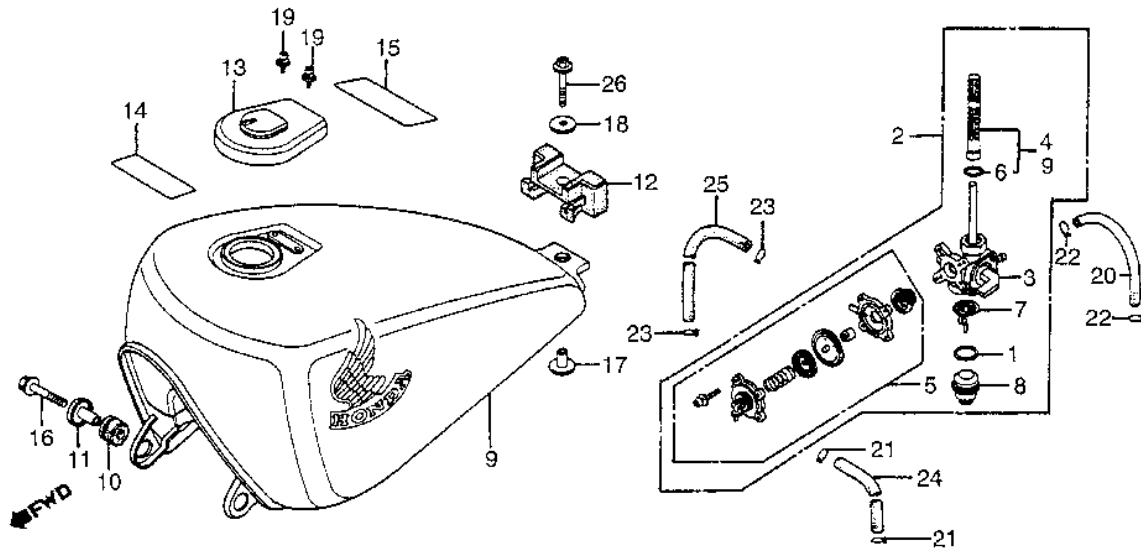
30	O-RING (29.2X3.5)	91356-MA3-661	002
31	CAP (8MM)	91455-MB0-010	
		(replaces 91455-MB0-000)	005
32	BOLT, HEX. (6X8)	92101-06008-0A	
		(replaces 92000-06008-0A)	002

Frame



REF#	PART		#REQ
01	FRAME	50100-ME8-670	001
02	STAY, R. SIDE COVER	50128-ME8-000	001
03	STAY, L. SIDE COVER	50129-ME8-000	001
04	COVER, FR. SIDE	63500-ME8-000	001
05	LABEL	87506-ME8-670	001
06	BOLT, FLG (12X308)	90110-415-000	001
07	SCREW-WASHER (5X16)	93893-05016-07	002
08	NUT, HEX. (10MM)	94030-10000	002
09	NUT, FLANGE (6MM)	94050-06080	002
10	NUT, FLANGE (12MM)	94050-12000	001
11	BOLT, FLANGE (10X70)	95801-10070-00	
	(replaces 95800-10070-00)		002

Fuel Tank & Petcock



REF#	PART		#REQ
01	O-RING (2.4X18.6)	16075-GHB-B00	001
01	GASKET SET, PETCOCK	16080-898-631	001
01	GASKET	16173-001-004	001
01	GASKET	16955-283-000	001
01	O-RING (2.4X18.6)	16075-GHB-B00	001
	(replaces 16958-011-000)		
	(replaces 16958-028-000)		
02	PETCOCK ASSY., AUTO	16950-ME8-015	001
	(replaces 16950-ME8-005)		
03	BODY, PETCOCK	16951-MA1-732	001
	(replaces 16951-MA1-731)		
04	FILTER SET, FUEL	16952-469-005	001
	(replaces 16952-422-005)		
05	COVER SET, PETCOCK	16953-ME5-005	001
	(replaces 16953-449-751)		
06	O-RING (10.6X1.3)	16195-657-300	001
	(replaces 16958-MA1-731)		
07	FILTER, CUP	16959-461-751	001
08	CUP, FUEL STRAINER	16967-GA6-671	001
09	TANK, FUEL *R114CU*	175A1-ME8-000ZA	001
09	TANK, FUEL *NH1Z*	175A1-ME8-000ZB	001
10	RUBBER, FR. TANK	17611-449-010	002
11	COLLAR, FR.	17612-449-000	002
12	RUB, RR. FUEL TANK	17613-ME8-000	001
13	CAP, FUEL FILLER	17620-MB1-033	001
	(replaces 17620-MB1-013)		
	(replaces 17620-MB1-023)		
14	LABEL, FR. (TYPEG)	87517-ME8-670ZA	001
15	LABEL *A73* (TYPEG)	87560-ME9-670ZA	001
16	BOLT, FLANGE (8X36)	90111-362-000	002
17	COLLAR	90324-MA1-000	001
18	WASHER (8.3MM)	90534-011-000	001
19	SCREW-WASHER (4X8)	93893-04008-08	002
20	BULK HOSE (7.5X8000)	95001-75008-60M	001
21	CLIP, TUBE (B7)	95002-02070	002
22	CLIP, TUBE (B12)	95002-02120	002
23	CLIP, TUBE (C6.5)	95002-35000	002
24	BULK HOSE (3.5X1000)	95005-35001-20M	001
25	BULK HOSE (3.5X1000)	95005-35001-30M	001

26 BOLT, FLANGE (8X28) 95701-08028-08
(replaces 95700-08028-08) 001

Gasket Kit A

(Image Not Available)

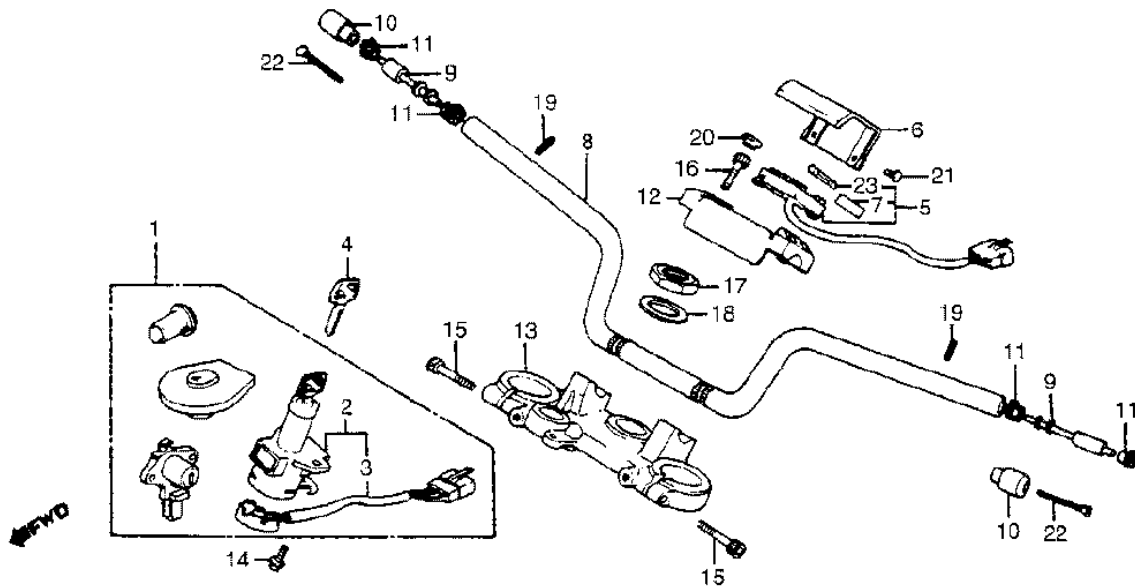
REF#	PART		#REQ
00	GASKET KIT A	061A1-ME2-405	
		(replaces 061A1-ME2-000)	001
01	SEAL, VALVE STEM	12209-MB9-003	
		(replaces 12209-300-003)	008
02	GASKET	12230-415-306	
		(replaces 12230-449-700)	001
03	GASKET, CYL HD	12251-ME2-405	
		(replaces 12251-ME2-000)	002
04	GASKET, HEAD COVER	12328-415-000	002
05	GASKET, PLUG HOLE	12329-415-000	002
06	GASKET, EX. PIPE	18291-286-306	
		(replaces 18291-286-000)	002
07	O-RING (6.9X1.5)	91302-044-013	002
08	O-RING (21.9X2.3)	91301-MB6-003	
		(replaces 91302-371-013)	
		(replaces 91302-371-023)	004
09	SEAL, WATER PIPE	91302-415-003	001
10	O-RING (53.8X3.1)	91302-657-000	001
11	O-RING (13.5X1.4)	91307-PH7-660	
		(replaces 91307-611-000)	002
12	O-RING (40X2.4)	91325-413-830	
		(replaces 91325-567-005)	002
13	O-RING (23X2.8)	94608-50000	002

Gasket Kit B

(Image Not Available)

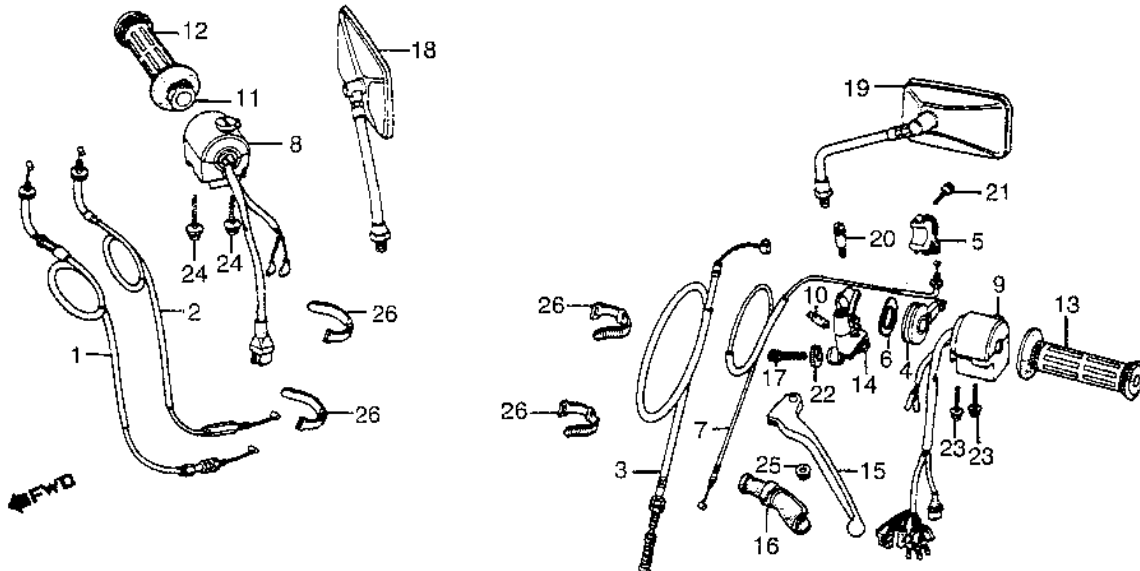
REF#	PART		#REQ
00	GASKET KIT B	061B1-ME2-T00	
		(replaces 061B1-ME2-000)	001
01	GASKET, OIL PAN	11128-ME2-306	
		(replaces 11128-ME2-000)	001
02	GASKET, CLUTCH COVER	11372-449-306	
		(replaces 11372-449-700)	001
03	GASKET, TRANS CVR	11391-ME2-306	
		(replaces 11391-ME2-000)	001
04	GASKET, RR. COVER	11394-449-306	
		(replaces 11394-449-701)	001
05	GASKET	11396-415-000	001
06	O-RING (11.8X2.4)	91302-ZE9-003	
		(replaces 16997-357-003)	
		(replaces 91302-ZE9-000)	
		(replaces 91320-HA5-000)	
		(replaces 91320-HA5-003)	002
06	O-RING (11.8X2.4)	91320-MJ6-003	002
07	GASKET, PULSER COVER	30373-MC7-306	
		(replaces 30373-MC7-000)	001
08	O-RING (22X3.0)	91307-425-003	
		(replaces 91301-250-000)	001
09	O-RING (13.6X2.4)	91301-268-020	004
10	O-RING (27.5X2.6)	91302-001-710	
		(replaces 91302-001-000)	002
11	O-RING (15X2.5)	91302-377-000	002
12	O-RING (8X1.7)	91306-HB3-003	
		(replaces 91303-001-000)	001
13	O-RING (81X4.5)	91315-MA6-003	
		(replaces 91311-415-000)	001
14	O-RING (15.3X3.5)	91363-MC7-004	001
15	O-RING (23X2.8)	94608-50000	002

Handlebar & Top Bridge & Fuse Panel & Lockset



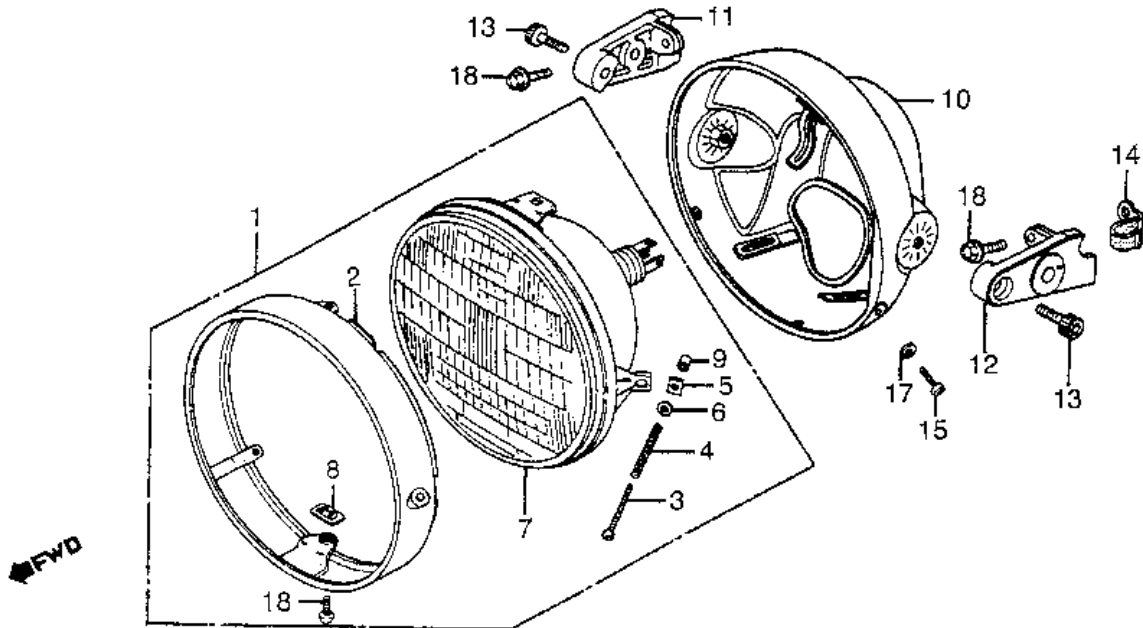
REF#	PART		#REQ
01	LOCK SET	35010-ME8-010	
		(replaces 35010-ME8-000)	001
02	SWITCH ASSY.	35100-ME8-000	001
03	BASE, CONTACT	35101-MC5-000	
		(replaces 35101-MA6-007)	001
04	KEY, BLANK (TYPE1)	35121-KW3-771	
		(replaces 35121-MA6-811)	001
04	KEY, BLANK (TYPE2)	35122-KW3-771	
		(replaces 35122-MA6-811)	001
05	PLATE ASSY., FUSE	38200-ME8-000	001
06	COVER, FUSE	38210-ME8-000	001
07	LABEL, FUSE	38215-MG5-670	001
08	HANDLEBAR	53100-ME8-670	001
09	WEIGHT B, HANDLEBAR	53101-MC7-000	002
10	WEIGHT, HANDLE	53104-ME8-670	002
11	RUB, HANDLE WEIGHT	53107-121-730	004
12	HOLDER, HANDLEBAR	53131-MF5-750	
		(replaces 53131-ME8-000)	001
13	BRIDGE, FORK TOP	53230-ME8-000	001
14	BOLT, FLANGE (8X19)	90105-KB7-000	002
15	BOLT, SOCKET (7X32)	90151-MB1-000	002
16	BOLT, SOCKET (8X32)	90154-ME9-000	004
17	NUT, STEERING STEM	90304-KA2-000	001
18	WASHER	90503-428-900	001
19	PIN, SPRING (4X21)	90751-ME8-670	002
20	CAP (8MM)	91455-MB0-010	
		(replaces 91455-MB0-000)	004
21	SCREW, FLAT (5X8)	93600-05008-0G	002
22	SCREW, OVAL (6X60)	93700-06060-0B	002
23	FUSE B (15A)	98200-21500	005

Handlebar Controls & Mirrors



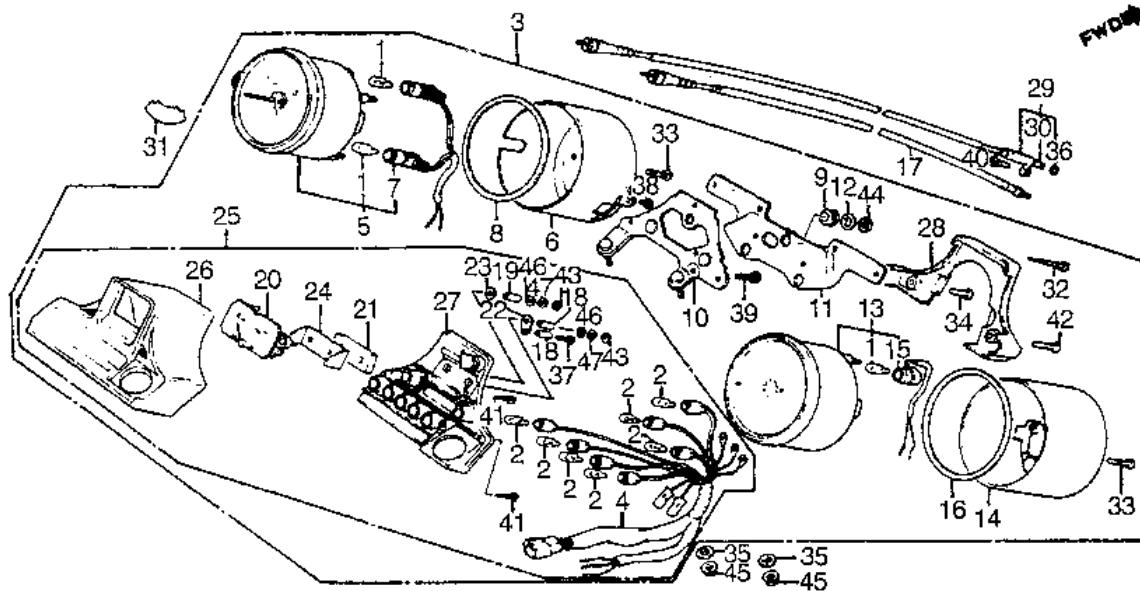
REF#	PART		#REQ
01	CABLE A, THROTTLE	17910-KK9-950	
	(replaces	17910-ME8-000)	001
02	CABLE B, THROTTLE	17920-ME8-000	001
03	CABLE, CHOKE	17950-ME8-000	001
04	LEVER, CHOKE	17962-ME8-000	001
05	HOLDER, CHOKE LEVER	17963-ME8-000	001
06	WASHER, WAVE (22MM)	17964-ME9-000	001
07	CABLE, CLUTCH	22870-ME8-000	001
08	SWITCH ASSY., STAR	35130-ME8-305	
	(replaces	35130-ME8-670)	001
09	SWITCH, TURN SIGNAL	35200-ME8-670	001
10	SWITCH, FR. LEVER	35330-413-003	001
11	PIPE, THROTTLE GRIP	53141-300-010	001
12	GRIP, R. HANDLE	53165-KR3-680	
	(replaces	53165-ME8-000)	001
13	GRIP, L. HANDLE	53166-KR3-680	
	(replaces	53166-ME8-000)	001
14	BRKT, L. HANDLEBAR	53172-ME8-000	001
15	LEVER, L. HANDLEBAR	53178-MA6-000	
	(replaces	53178-422-020)	
	(replaces	53178-MC3-700)	001
16	BOOT, HANDLEBAR	53180-425-010	001
17	BOLT, CABLE ADJ.	53192-422-000	
	(replaces	53192-425-000)	001
18	MIRROR, R.	88110-ME8-003	001
19	MIRROR, L.	88120-ME8-003	001
20	BOLT, L.	90113-438-000	001
21	BOLT, SOCKET (6X23)	90117-MB0-000	002
22	NUT, FIXING	90321-422-000	001
23	SCREW-WASHER (5X30)	93891-05030-07	002
24	SCREW-WASHER (5X35)	93891-05035-07	
	(replaces	93891-05035-17)	002
25	NUT, FLANGE (6MM)	94050-06000	001
26	BAND B1, CABLE	95014-62100	004

Headlight



REF#	PART		#REQ
01	HDLT (12V 65/45W)	33100-ME8-670	001
01	HDLT (12V 60/55W)	33100-MF5-840	001
02	RIM, HEADLIGHT	33101-MB1-003	001
03	SCREW	33103-346-670	001
04	SPRING	33107-333-000	
		(replaces 33107-MB1-671)	001
05	NUT, BEAM ADJUSTING	33117-415-003	001
06	WASHER	33119-371-003	001
07	HEADLIGHT UNIT	33120-MF5-751	
		(replaces 33120-MB1-671)	
		(replaces 33120-ME9-670)	001
08	NUT, UNIT HOLDER	33128-292-670	002
09	COVER, SCREW	33136-426-830	001
10	CASE, HEADLIGHT	61301-ME8-000	001
11	STAY, R. HEADLIGHT	61312-ME8-000	001
12	STAY, L. HEADLIGHT	61313-ME8-000	001
13	BOLT, SOCKET (8X22)	90119-KV0-000	
		(replaces 90119-MB4-000)	002
14	CLAMP, CLUTCH CABLE	91406-ME8-000	001
15	SCREW, PAN (5X8)	93500-05008-0H	002
16	SCREW, PAN (5X12)	93500-05012-0B	002
17	WASHER, SPRING (5MM)	94111-05000	002
18	BOLT, FLANGE (8X20)	95700-08020-00	002
18	BOLT, FLANGE (8X20)	95701-08020-00	002

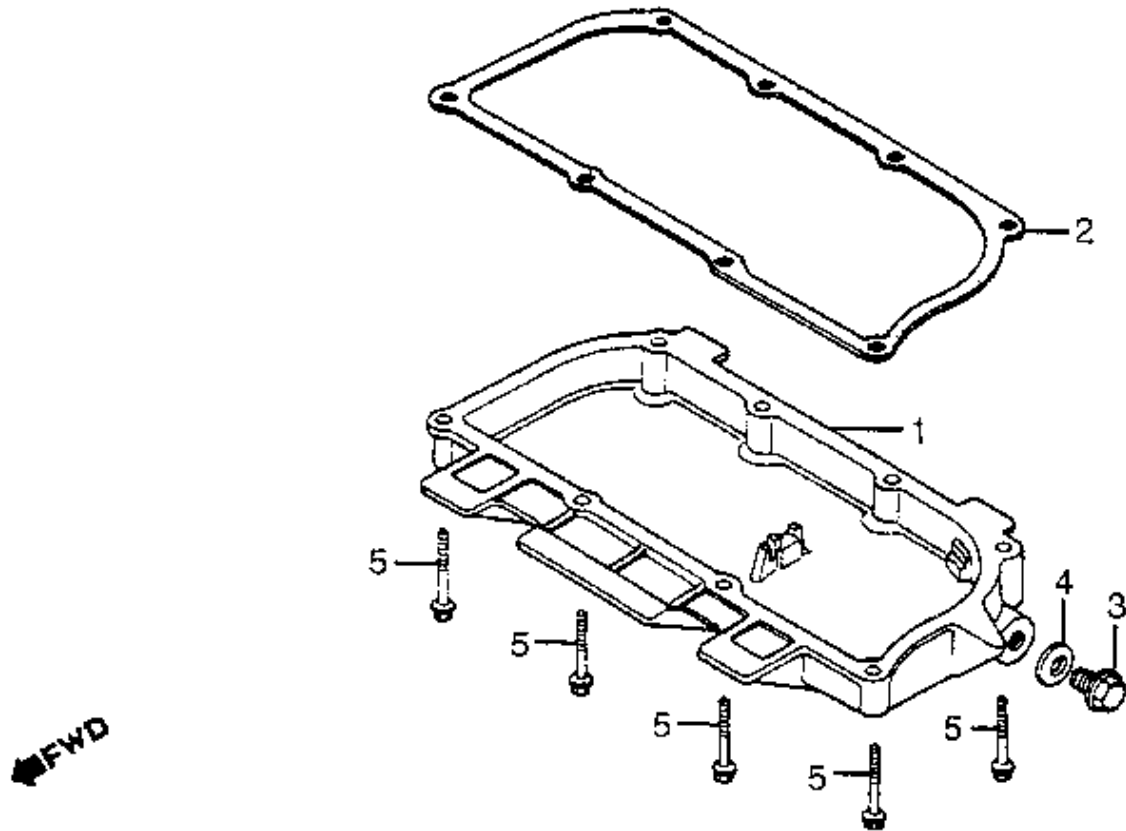
Instruments: Speedometer & Tachometer & Lights



REF#	PART		#REQ
01	BULB (12V3.4W2CP)	37237-SA5-003 (replaces 34908-GA7-701) (replaces 37102-567-009) (replaces 37237-SA5-004)	003
02	BULB (12V/3W)	34908-MB0-003 (replaces 34908-MB0-000) (replaces 34908-MB0-005)	007
03	METER, COMBINATION	37100-ME8-671	001
04	WIRE, PILOT	37105-ME8-671	001
05	SPEEDOMETER ASSY.	37200-ME4-671 (replaces 37200-ME8-671)	001
06	COVER, SPEEDOMETER	37202-ME8-008	001
07	SOCKET, SPEEDOMETER	37203-ME8-008	001
08	RUBBER, SPEEDOMETER	37204-ME8-008	001
09	RUBBER	37205-ME8-008	003
10	BRACKET A, METER	37211-ME8-008	001
11	BRACKET B, METER	37212-ME8-008	001
12	WASHER, PLAIN	37244-MA6-008	003
13	TACHOMETER ASSY.	37250-ME8-611 (replaces 37250-ME8-671)	001
14	COVER, TACHOMETER	37252-ME8-008	001
15	SOCKET, TACHOMETER	37253-ME8-008	001
16	RUBBER, TACHOMETER	37254-ME8-008	001
17	CABLE, TACHOMETER	37260-ME8-000	001
18	COLLAR B	37314-ME8-000	002
19	COLLAR A	37315-ME8-000	001
20	METER, TEMPERATURE	37450-ME8-018 (replaces 37450-ME8-008)	001
21	RUBBER	37453-ME8-008	001
22	RUBBER A	37454-ME8-008	001
23	RUBBER B	37455-ME8-008	001
24	PLATE	37456-ME8-008	001
25	BOX ASSY., PILOT	37600-ME8-671	001
26	CASE, PILOT (UPPER)	37601-ME8-671	001
27	CASE, PILOT (LOWER)	37602-ME8-671	001
28	COVER, PILOT BOX	37617-ME8-008	001
29	CABLE, SPEEDOMETER	44830-ME5-405	

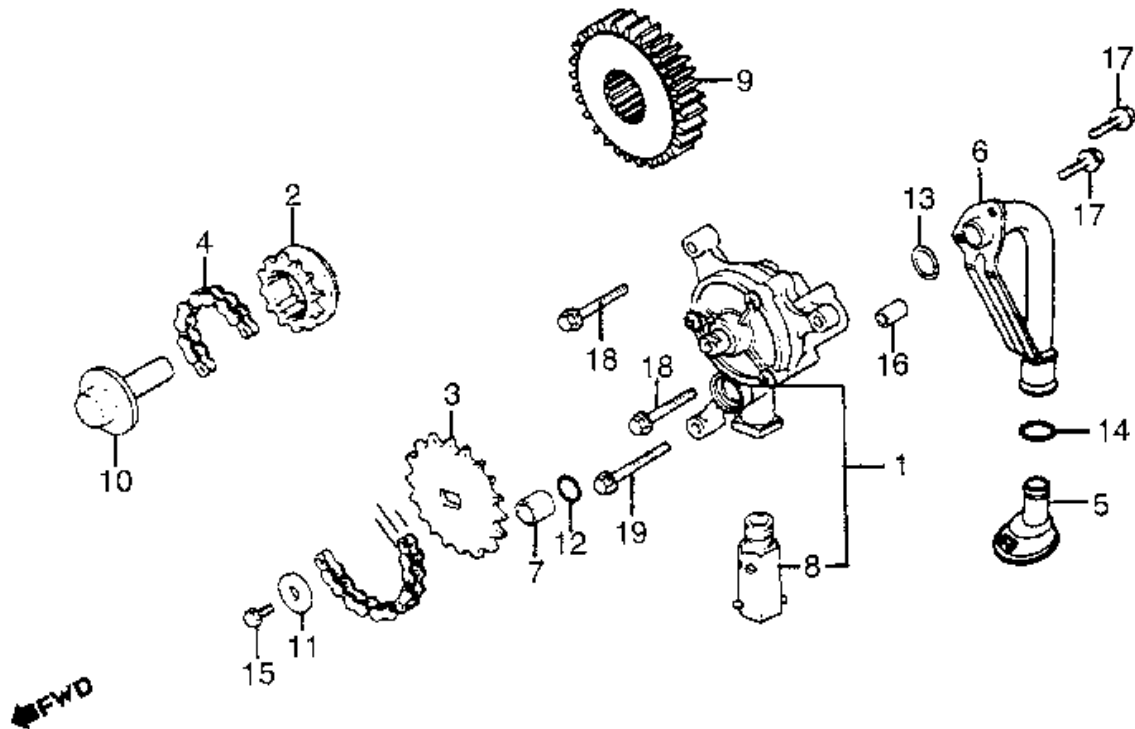
		(replaces 44830-ME5-850)	
		(replaces 44830-ME8-000)	
		(replaces 44830-MF5-000)	001
30	CABLE (INNER)	44831-KM1-000	
		(replaces 44831-ME1-670)	001
31	LABEL	87523-413-710	001
32	SCREW, TAP (4X40)	90105-ME8-000	001
33	SCREW, TRUSS (4X16)	90106-ME8-000	004
34	SCREW, TRUSS (4X35)	90107-ME8-000	001
35	WASHER (6MM)	90438-671-000	002
36	O-RING (6.8X1.9)	91306-PJ4-000	
		(replaces 91301-027-000)	
		(replaces 91310-MC7-003)	001
37	SCREW, PAN (3X16)	93500-03016-3J	001
38	SCREW, PAN (4X6)	93500-04006-0A	
		(replaces 93500-04006-1A)	002
39	SCREW, PAN (4X30)	93500-04030-0A	
		(replaces 93500-04030-1A)	001
40	SCREW, OVAL (5X16)	93700-05016-0G	001
41	SCREW, TAP (3X20)	93901-22510	002
42	SCREW, TAP (4X16)	93903-24480	001
43	NUT, HEX. (4MM)	94002-04000-0S	002
44	NUT, HEX. (6MM)	94002-06070-0S	003
45	NUT, FLANGE (6MM)	94050-06000	002
46	WASHER, PLAIN (4MM)	94101-04000	002
47	WASHER, SPRING (4MM)	94111-04000	002

Oil Pan



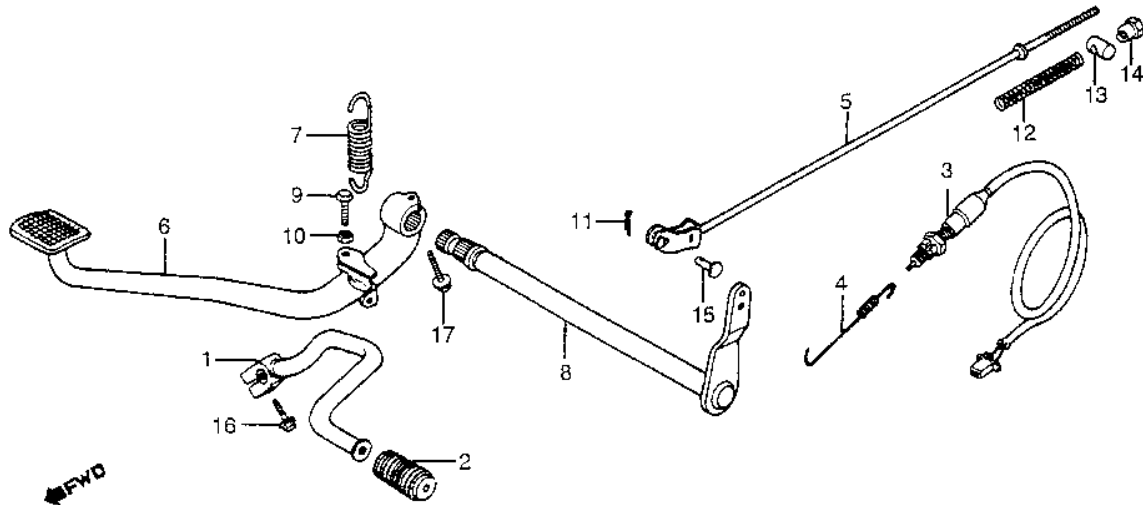
REF#	PART		#REQ
01	PAN, OIL	11121-ME2-010	001
02	GASKET, OIL PAN	11128-ME2-306	
		(replaces 11128-ME2-000)	001
03	BOLT, DRAIN (14MM)	92800-14000	001
04	WASHER, DRAIN (14MM)	94109-14000	001
05	BOLT, FLANGE (6X40)	96001-06040-00	
		(replaces 96000-06040-00)	008

Oil Pump & Primary Drive Gear



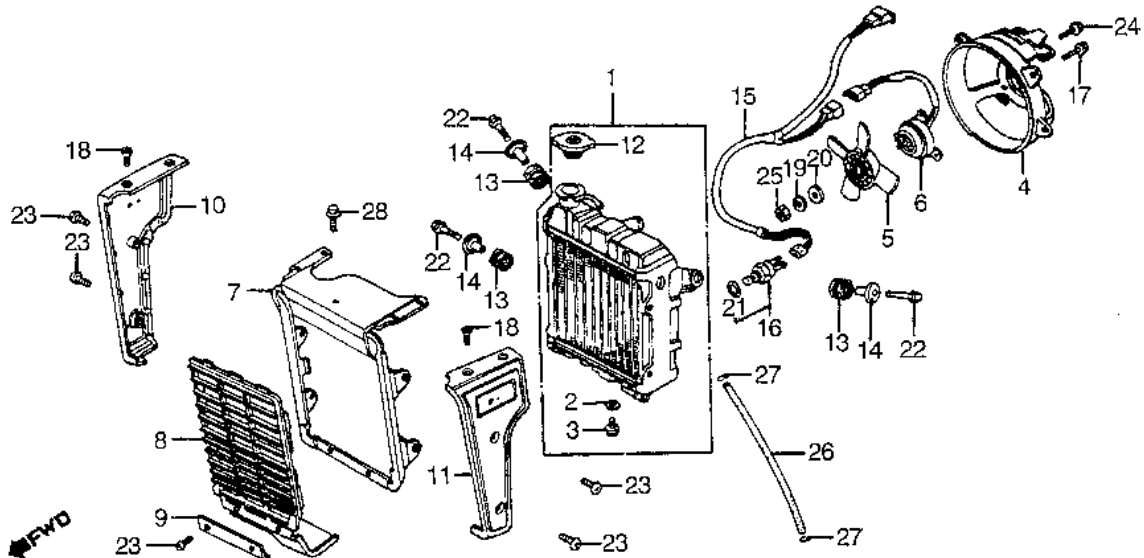
REF#	PART		#REQ
01	PUMP ASSY., OIL	15100-ME2-000	001
02	SPROCKET	15115-415-000	001
03	SPROCKET	15116-415-000	001
04	CHAIN, OIL PUMP	15140-415-003	001
05	BODY, OIL STRAINER	15141-ME2-010	001
06	PIPE, OIL STRAINER	15143-ME2-000	001
07	COLLAR, O-RING	15155-300-000	001
08	VALVE ASSY., RELIEF	15220-415-000	001
09	GEAR, PRIMARY DRIVE	23121-ME2-000	001
10	BOLT, UBS (12X28)	90013-415-000	001
11	WASHER	90486-028-000	001
12	O-RING (13.6X2.4)	91301-268-020	001
13	O-RING (15X2.5)	91302-377-000	001
14	O-RING (15.3X3.5)	91363-MC7-004	001
15	BOLT, HEX. (6X8)	92101-06008-0A	
	(replaces	92000-06008)	
	(replaces	92000-06008-0A)	001
16	PIN, DOWEL (8X14)	94301-08140	001
17	BOLT, FLANGE (6X14)	95701-06014-00	
	(replaces	95700-06014-00)	002
18	BOLT, FLANGE (6X25)	95701-06025-00	
	(replaces	95700-06025-00)	002
19	BOLT, FLANGE (6X32)	95701-06032-00	
	(replaces	95700-06032-00)	001

Pedal, Brake & Shift Pedal



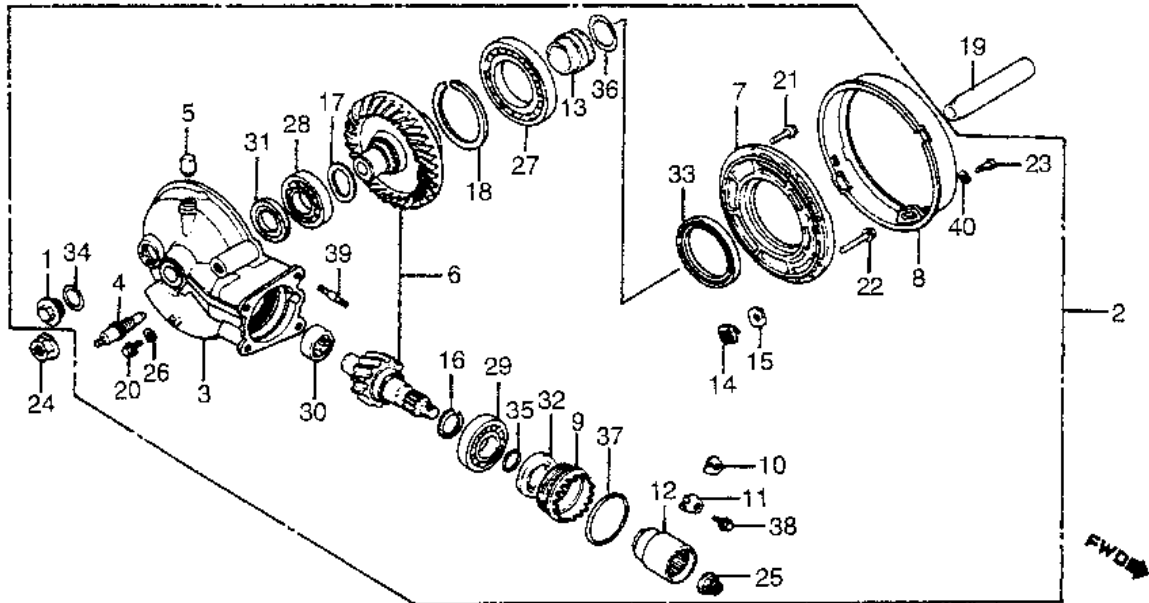
REF#	PART		#REQ
01	PEDAL, GEARSHIFT	24700-ME8-000	001
02	RUBBER, GEARSHIFT	24781-449-000	001
03	SWITCH, RR. STOP	35350-KA2-405	
		(replaces 35350-438-000)	001
		(replaces 35350-ME8-000)	001
04	SPRING, STOP SWITCH	35357-ME8-000	001
05	ROD, RR. BRAKE	43450-ME8-000	001
06	PEDAL, RR. BRAKE	46500-ME8-000	001
07	SPRING, BRAKE RETURN	46514-MR1-770	
		(replaces 46514-ME8-000)	001
08	SHAFT, RR.	46515-ME8-000	001
09	BOLT, HEX. (6X40)	92040-06040-0H	001
10	NUT, HEX. (6MM)	94001-06200-0S	
		(replaces 90310-KA3-711)	
		(replaces 94000-06000-0S)	
		(replaces 94001-06000)	
		(replaces 94001-06000-0S)	
		(replaces 94001-06008-0S)	
		(replaces 94030-06000)	001
11	PIN, SPLIT (1.6X12)	94201-16120	001
12	SPRING A, BRAKE ROD	95014-73100	001
13	JOINT, BRAKE ARM	95015-32001	001
14	NUT B	95015-42000	001
15	PIN B	95015-52000	001
16	BOLT, FLANGE (6X20)	95701-06020-00	
		(replaces 95700-06020-00)	001
17	BOLT, FLANGE (6X25)	95701-06025-00	
		(replaces 95700-06025-00)	001

Radiator & Cooling Fan & Grille



REF#	PART		#REQ
01	RADIATOR	19010-ME2-003	001
02	GASKET, DRAIN	19012-ZB5-003	
		(replaces 19012-PA0-003)	001
03	VALVE, DRAIN	19013-415-004	001
04	SHROUD	19015-ME2-003	001
05	FAN, COOLING	19020-ME2-003	001
06	MOTOR, FAN	19030-ME2-003	001
07	COVER, RADIATOR	19031-ME8-000	001
08	GRILLE, RADIATOR	19032-ME2-000	001
09	COVER, RADIATOR	19033-470-670	001
10	PLATE, R.	19035-ME8-000	001
11	PLATE, L.	19036-ME8-000	001
12	CAP, RADIATOR	19045-692-003	
		(replaces 19045-449-770)	
		(replaces 19045-634-003)	
		(replaces 19045-PA0-014)	001
13	RUBBER	19115-415-000	003
14	COLLAR	19119-449-000	003
15	SUB-WIRE HARNESS A	32102-ME8-000	001
16	SWITCH ASSY., THERMO	37760-MC7-003	001
17	BOLT-WASHER (6x10)	90042-679-003	004
18	SCREW, FLAT (6X12)	93600-06012-0B	
		(replaces 90138-415-840)	004
19	WASHER, SPRING (5MM)	90401-679-003	001
20	WASHER, PLAIN (5MM)	94103-05800	
		(replaces 90402-679-003)	001
21	O-RING (13.5X1.4)	91307-PH7-660	
		(replaces 91307-611-000)	001
22	BOLT, CAP (6X32)	92600-06032-0B	003
23	SCREW, PAN (6X12)	93500-06012-4J	006
24	SCREW-WASHER (5X10)	93893-05010-08	003
25	NUT, HEX. (5MM)	94001-05080-0S	001
26	BULK HOSE (7.5X8000)	95001-75008-60M	001
27	CLIP, TUBE (B12)	95002-02120	002
28	BOLT, FLANGE (6X10)	96001-06010-02	
		(replaces 96000-06010-02)	001

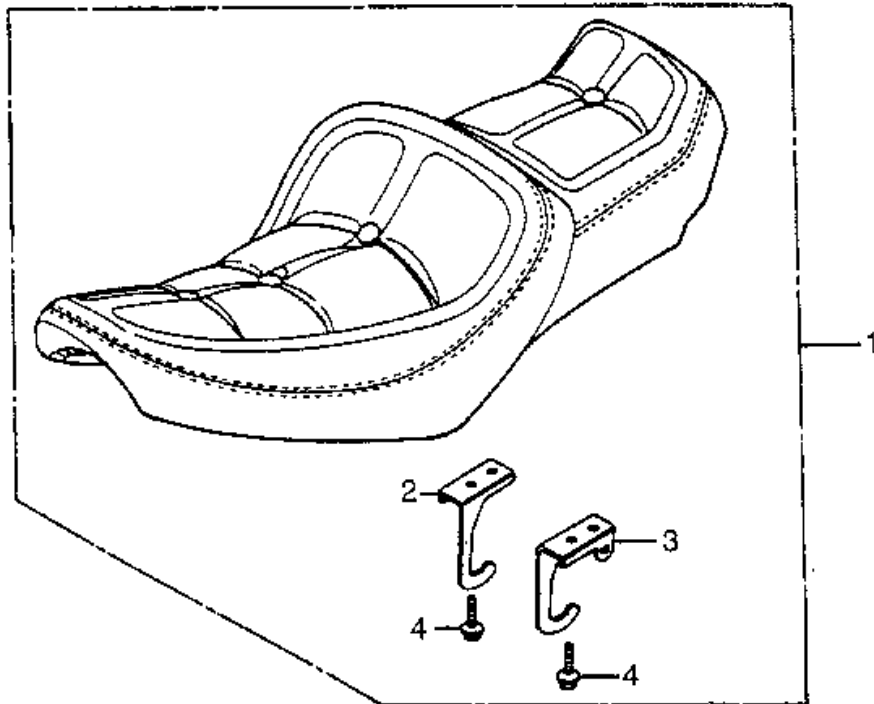
Rear End



REF#	PART		#REQ
01	CAP, VALVE ADJ.	12361-300-000	
		(replaces 12361-035-000)	
		(replaces 12361-371-980)	001
02	GEAR, FINAL DRIVEN	41300-ME8-000	001
03	CASE, FINAL GEAR	41301-ME8-000	001
04	STAY, RUBBER (LOWER)	41303-ME4-300	001
05	CAP, BREATHER	41306-MB0-020	
		(replaces 41306-MB0-010)	001
05	BREATHER ASSY.	41306-ME5-305	001
06	GEAR SET, FINAL	41310-MG0-000	001
07	COVER, GEAR CASE	41321-MG0-000	001
08	PLATE, DUST GUARD	41324-MG0-000	001
09	RETAINER, BEARING	41331-ME9-010	
		(replaces 41331-ME9-000)	001
10	LOCK A, BEARING ADJ.	41332-415-000	001
11	LOCK B, BEARING ADJ.	41333-415-000	001
12	JOINT, PINION	41410-ME9-770	
		(replaces 41410-ME9-000)	001
13	HOLDER, O-RING	41433-MB0-010	
		(replaces 41433-MB0-000)	001
14	PIN	41436-MB0-310	001
15	SHIM A (0.10)	41437-MB0-310	
		(replaces 41437-MB0-300)	AR
15	SHIM B, STOPPER PIN	41438-MB0-300	AR
16	SHIM A (1.82)	41450-MB0-000	001
16	SHIM B (1.88)	41451-MB0-000	001
16	SHIM C (1.94)	41452-MB0-000	001
16	SHIM D (2.00)	41453-MB0-000	001
16	SHIM E (2.06)	41454-MB0-000	001
16	SHIM F (2.12)	41455-MB0-000	001
16	SHIM G (2.18)	41456-MB0-000	001
17	WASHER (35X40)	41510-MB0-003	001
18	SPACER A (1.82)	41530-MB0-000	001
18	SPACER B (1.88)	41531-MB0-000	001
18	SPACER C (1.94)	41532-MB0-000	001
18	SPACER D (2.00)	41533-MB0-000	001

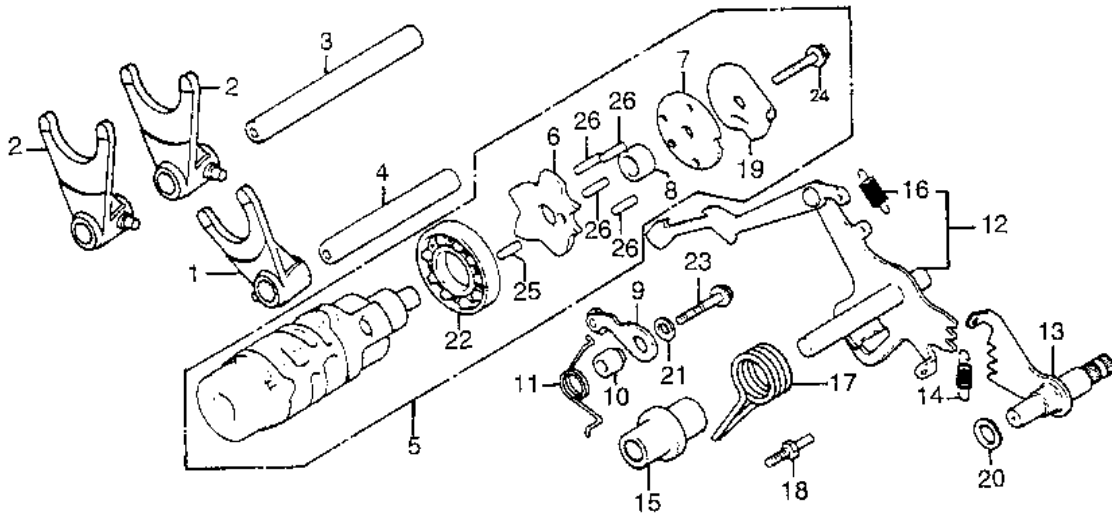
18	SPACER E (2.06)	41534-MB0-000	001
18	SPACER F (2.12)	41535-MB0-000	001
18	SPACER G (2.18)	41536-MB0-000	001
18	SPACER H (2.24)	41537-MB0-000	001
18	SPACER I (2.30)	41538-MB0-000	001
19	COLLAR B, RR.	42625-MB0-000	001
20	BOLT, SEALING (8MM)	90109-371-000	001
21	BOLT, FLANGE (8X27)	90133-MB0-000	006
22	BOLT, FLANGE (10X38)	90134-371-000	002
23	BOLT, HEX. (6X16)	90170-MB0-000	001
24	NUT, FLANGE (16MM)	90305-ME5-003	001
25	NUT, HEX. (16MM)	90381-MB0-010	
	(replaces	90381-MB0-700)	001
26	GASKET (8MM)	90471-580-000	001
27	BEARING (16012C3)	91051-MB0-005	001
28	BEARING (57/34C3)	91052-MB0-003	001
29	BEARING (6305)	91061-MB0-005	001
30	BEARING (19/16)	91062-MB0-013	
	(replaces	91062-MB0-003)	
	(replaces	91062-MB0-005)	001
31	OIL SEAL (34X50X7)	91261-MB0-003	
	(replaces	91261-MB0-000)	
	(replaces	91261-MB0-005)	001
32	OIL SEAL (39X51X7)	91262-ME9-005	
	(replaces	91262-ME9-003)	001
33	OIL SEAL (60X80X8)	91265-MB0-003	
	(replaces	91265-MB0-000)	001
34	O-RING (30.8MM)	91302-001-020	001
35	O-RING (22.1X2)	91305-679-003	
	(replaces	91355-MB0-003)	
	(replaces	91355-MB0-005)	001
36	O-RING (35.2X2.4)	91356-MB0-005	
	(replaces	91356-MB0-000)	001
37	O-RING (58.5X3.5)	91353-MB0-003	001
37	O-RING (58.5X3.5)	91359-MB0-000	
	(replaces	91359-MB0-003)	001
38	BOLT, HEX. (6X12)	92101-06012-0A	
	(replaces	92000-06012)	
	(replaces	92101-06012)	001
39	BOLT 2, STUD (8X28)	92900-08028-0E	
	(replaces	92700-08045-0E)	004
40	WASHER, PLAIN (6MM)	94101-06800	001

Seat



REF#	PART		#REQ
01	SEAT, DOUBLE	77200-KF5-010	
		(replaces 77200-ME8-000)	001
		(replaces 77200-ME8-010)	001
02	STAY, R. SEAT BELT	77203-KF5-000	001
03	STAY, L. SEAT BELT	77204-KF5-000	001
04	BOLT, FLANGE (6X16)	95701-06016-08	
		(replaces 95700-06016-08)	002

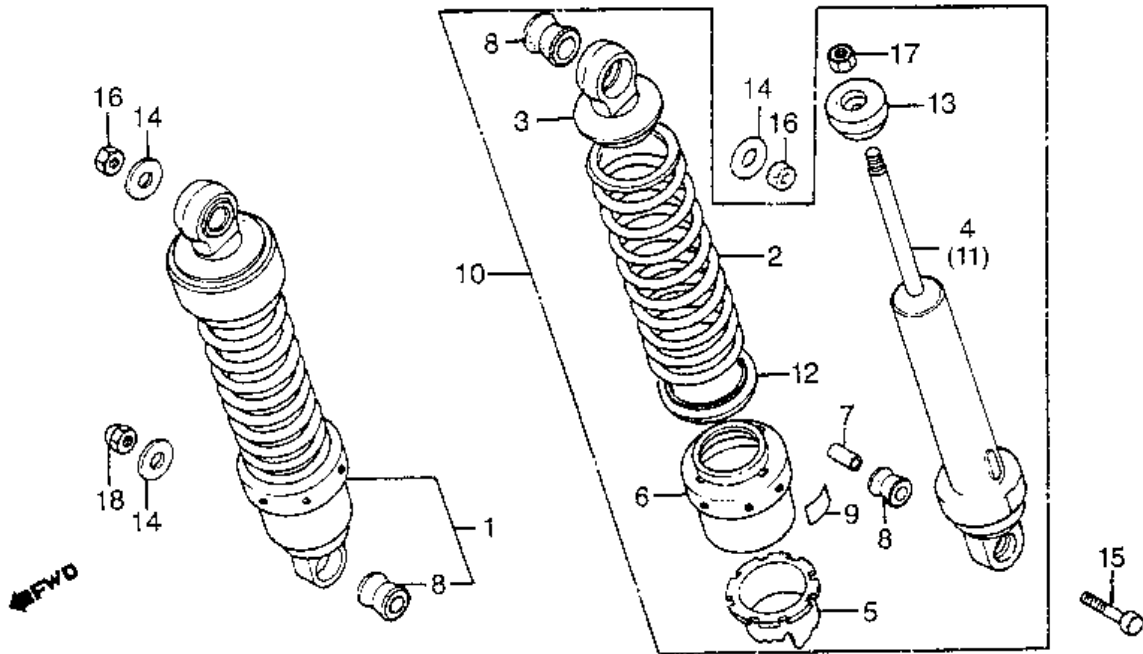
Shifter Drum & Forks



←FWD

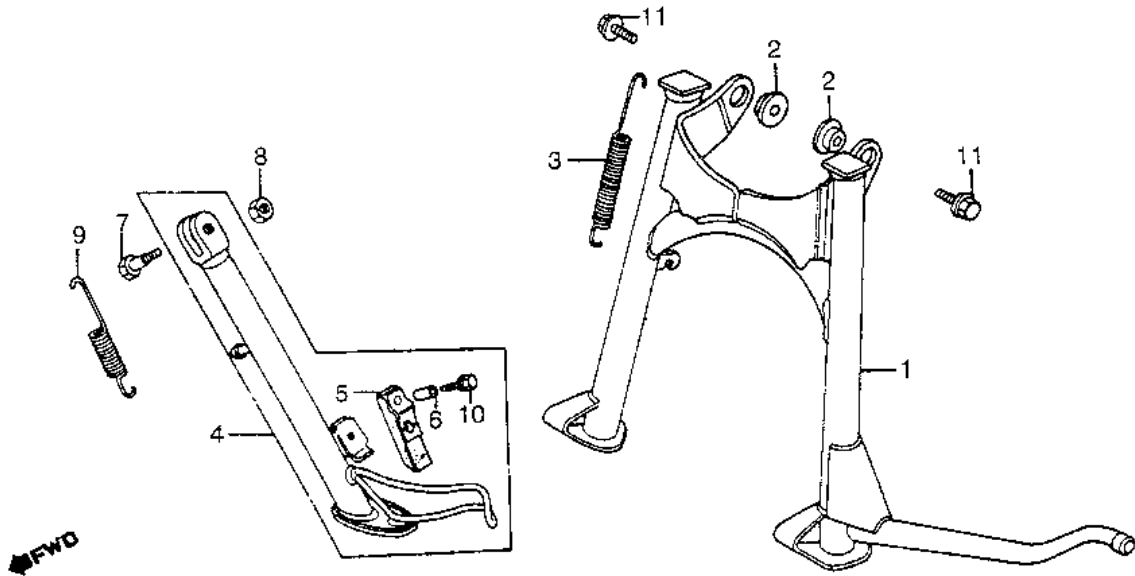
REF#	PART		#REQ
01	FORK	24216-ME2-000	001
02	FORK	24221-MC7-000	
		(replaces 24221-ME2-000)	002
03	SHAFT A	24241-MC7-000	001
04	SHAFT B	24242-MC7-000	001
05	DRUM, GEARSHIFT	24300-MC7-000	001
06	PLATE, DRUM CAM	24303-MC7-000	001
07	PLATE, DRUM CENTER	24304-415-000	001
08	COLLAR, DRUM CENTER	24305-415-000	001
09	STOPPER	24430-413-000	001
10	COLLAR	24432-413-000	001
11	SPRING, DRUM STOPPER	24435-415-000	001
12	ARM, GEARSHIFT	24610-415-000	001
12	ARM, GEARSHIFT	24610-415-010	001
13	SPINDLE, GEARSHIFT	24620-415-000	001
13	SPINDLE, GEARSHIFT	24620-415-010	001
14	SPRING, GEARSHIFT	24623-415-000	001
15	COLR, GEARSHIFT ARM	24624-415-000	001
16	SPRING	24641-216-000	001
17	SPRING	24651-333-000	001
18	PIN	24652-259-000	001
19	PLATE, POINT	35753-415-000	001
20	WASHER (12MM)	90451-708-000	001
21	WASHER	90486-028-000	001
22	BEARING (16005)	91008-374-003	001
23	BOLT, FLANGE (6X25)	95701-06025-00	
		(replaces 95700-06025-00)	001
24	BOLT, FLANGE (6X25)	95725-06025-00	001
25	ROLLER (4X11.8)	96220-40118	001
26	ROLLER (4X14)	96220-40140	004

Shock Absorbers, Rear



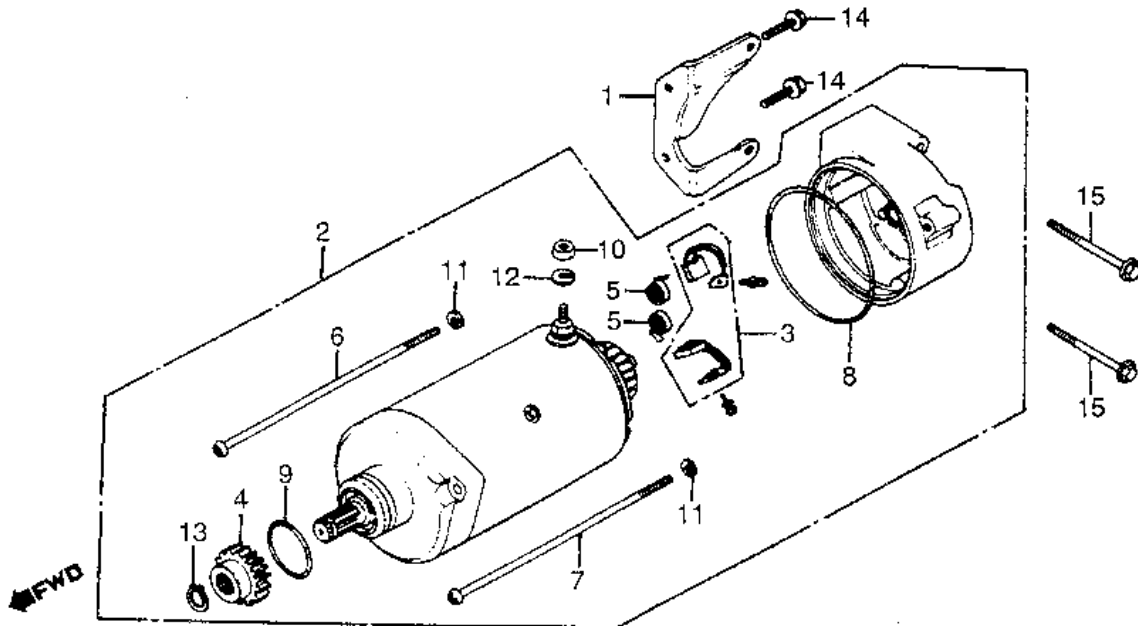
REF#	PART		#REQ
01	S/ABS ASSY., R. RR.	52400-ME8-671	001
02	SPRING, RR. SHOCK	52401-ME8-003	002
03	JOINT (UPPER)	52403-MC8-013	002
04	DAMPER, R. RR.	52410-ME8-003	001
05	ADJUSTER, SPRING	52422-ME4-003	002
06	SEAT, SPRING	52458-ME4-003	002
07	COLLAR, RR. SHOCK	52486-463-000	001
08	BUSH, RUBBER (UPPER)	52489-461-771	004
09	EMBLEM, RR. SHOCK	52495-MB1-670	002
10	S/ABS ASSY., L. RR.	52500-ME8-671	001
11	DAMPER, L. RR.	52510-ME8-003	001
12	SEAT B, SPRING	52515-ME8-003	002
13	RUBBER, STOPPER	52517-404-003	002
14	WASHER (10.3MM)	90521-292-000	003
15	BOLT, HEX. (10X32)	93201-10032-0B	
	(replaces	93200-10032-0B)	001
16	NUT, HEX. (10MM)	94001-10000-0S	002
17	NUT, HEX. (10MM)	94002-10000-0S	002
18	NUT, CAP (10MM)	94021-10020-0S	001

Stand, Center & Side Stand



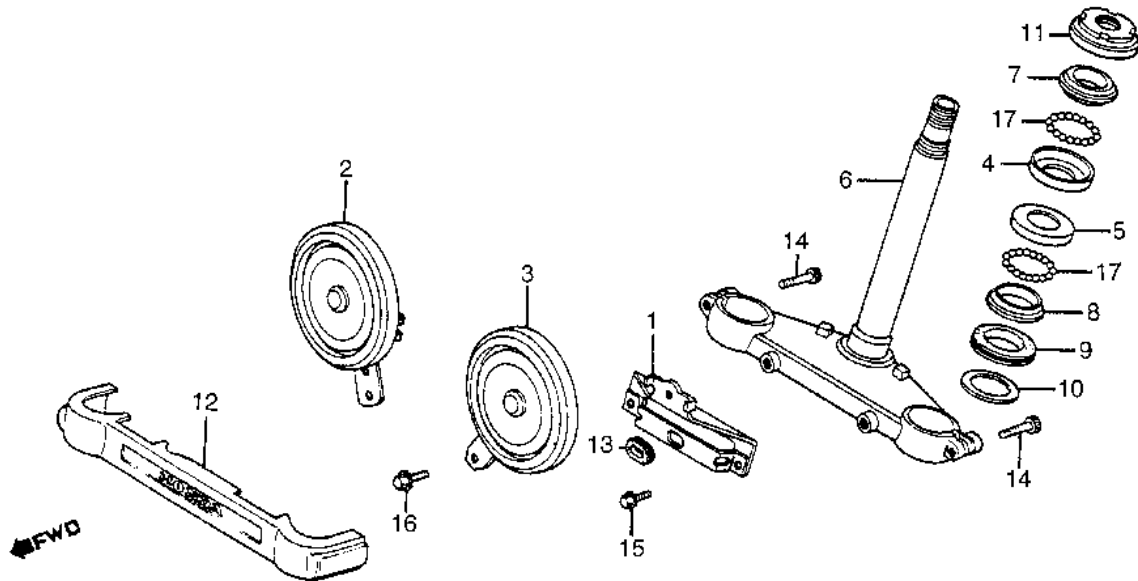
REF#	PART		#REQ
01	STAND, MAIN	50500-ME8-000	001
02	COLLAR, MAIN STAND	50503-MA1-000	002
03	SPRING, MAIN STAND	50510-ME8-000	001
04	STAND ASSY., SIDE	50540-ME8-000	001
05	RUBBER, STAND	50548-356-700	001
06	COLLAR	50549-356-700	001
07	BOLT	90108-223-000	001
08	NUT, HEX. (10MM)	94031-10000	001
09	SPRING D, SIDE STAND	95014-72402	001
10	BOLT, FLANGE (6X25)	95701-06025-00	
	(replaces	95700-06025-00)	001
11	BOLT, FLANGE (10X25)	95701-10025-08	
	(replaces	95800-10025-08)	
	(replaces	95801-10025-08)	002

Starter Motor



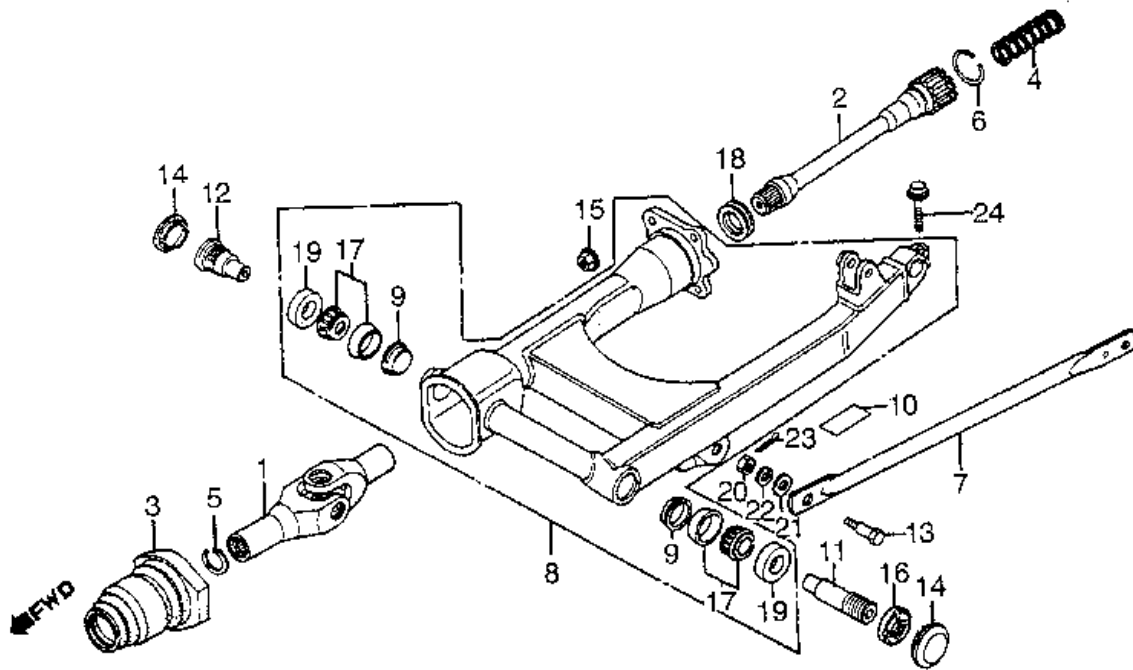
REF#	PART		#REQ
01	STAY, STARTER MOTOR	11312-415-000	001
02	MOTOR ASSY., STARTER	31200-449-405	
	(replaces 31200-449-008)		001
03	BRUSH SET, CARBON	31201-292-158	001
04	GEAR (27T)	31201-415-000	001
05	SPRING, CARBON BRUSH	31204-292-158	002
06	BOLT, START MTR CVR	31205-413-780	001
07	BOLT, START MTR CVR	31205-413-780	
	(replaces 31205-449-008)		001
08	O-RING (60X1.4)	31206-402-008	
	(replaces 31206-415-000)		001
09	O-RING (24.4X3.1)	91312-MG7-003	
	(replaces 91309-300-000)		
	(replaces 91309-425-003)		001
10	NUT, HEX. (6MM)	94002-06000-0S	
	(replaces 94002-06000)		001
11	WASHER, SPRING (5MM)	94111-05000	002
12	WASHER, SPRING (6MM)	94111-06000	001
13	CIRCLIP (11MM)	94510-11000	001
14	BOLT, FLANGE (6X18)	96001-06018-00	
	(replaces 96000-06018-00)		002
15	BOLT, FLANGE (6X35)	96001-06035-00	
	(replaces 96000-06035-00)		002

Steering Stem & Horns



REF#	PART		#REQ
01	STAY, HORN	38102-ME8-000	001
02	HORN ASSY. (HIGH)	38110-MB1-700	001
02	HORN ASSY. (HIGH)	38110-MB1-740	001
03	HORN ASSY. (LOW)	38120-MB1-740	
		(replaces 38120-MB1-700)	001
04	RACE, STEERING BALL	50301-268-010	
		(replaces 50301-268-000)	001
05	RACE, STEERING BALL	50302-268-010	
		(replaces 50302-268-000)	001
06	STEM, STEERING	53200-ME8-000	001
07	RACE, STEERING CONE	53211-268-010	
		(replaces 53211-268-000)	001
08	RACE, STEERING CONE	53212-250-010	
		(replaces 53212-250-000)	001
09	DUST SEAL	53214-250-000	001
10	WASHER	53215-250-000	001
11	THREAD	53220-KE8-010	
		(replaces 53220-ME9-000)	001
12	COVER (LOWER)	61405-ME9-000	
		(replaces 61401-ME9-000)	001
13	GROMMET, A/CLNR HSG	83551-300-000	001
14	BOLT, SOCKET (10X30)	90152-MB0-000	002
15	BOLT, FLANGE (6X12)	95701-06012-00	
		(replaces 95700-06012-00)	002
16	BOLT, FLANGE (6X14)	95701-06014-07	
		(replaces 95700-06014-07)	001
17	BALL (#8) (1/4)	96211-08000	037

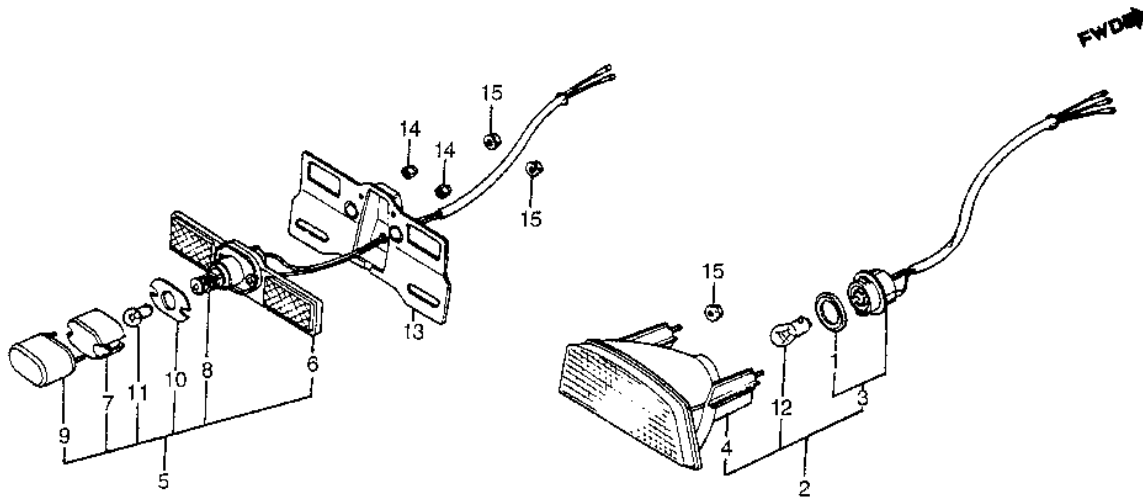
Swingarm



REF#	PART		#REQ
01	JOINT, YOKE	40200-ME8-003	001
02	SHAFT, DRIVE	40201-ME8-003	001
03	BOOT, JOINT	40207-415-000	001
04	SPRING	40215-ME9-003	001
05	RING, YOKE STOPPER	40220-ME8-000	001
06	RING, STOPPER	40221-MB0-000	001
07	ARM, RR.	43431-ME8-000	001
08	SWINGARM *NH1Z*	52110-ME8-000ZA	
	(replaces	52110-ME8-000)	001
09	PLATE, DUST SEAL	52118-415-000	002
10	LABEL, TIRE CAUTION	87505-ME8-670	001
11	BOLT, PIVOT	90121-ME8-000	001
12	BOLT, L. RR.	90124-ME5-000	001
13	BOLT, RR.	90133-286-000	001
14	CAP, R. LOCK NUT	90302-ME5-000	002
15	NUT, HEX. (8MM)	90309-357-000	004
16	NUT, LOCK (23MM)	90354-ME5-000	001
17	BEARING (30202)	91066-415-006	
	(replaces	91066-415-003)	
	(replaces	91066-415-004)	
	(replaces	91066-415-005)	002
18	OIL SEAL (27X43X7)	91261-ME9-005	001
19	OIL SEAL (20X35X5)	91266-ME5-003	
	(replaces	91266-ME5-004)	002
20	NUT, HEX. (8MM)	94001-08000-0S	001
21	WASHER, PLAIN (8MM)	94101-08000	001
22	WASHER (10MM)	94111-10000	001
23	PIN, COTTER (2.0x35)	94201-20350	
	(replaces	94201-20180)	
	(replaces	94201-20200)	
	(replaces	94201-20250)	
	(replaces	94201-20280)	
	(replaces	94201-20320)	001
23	PIN, COTTER (2.0x22)	94201-29220	001

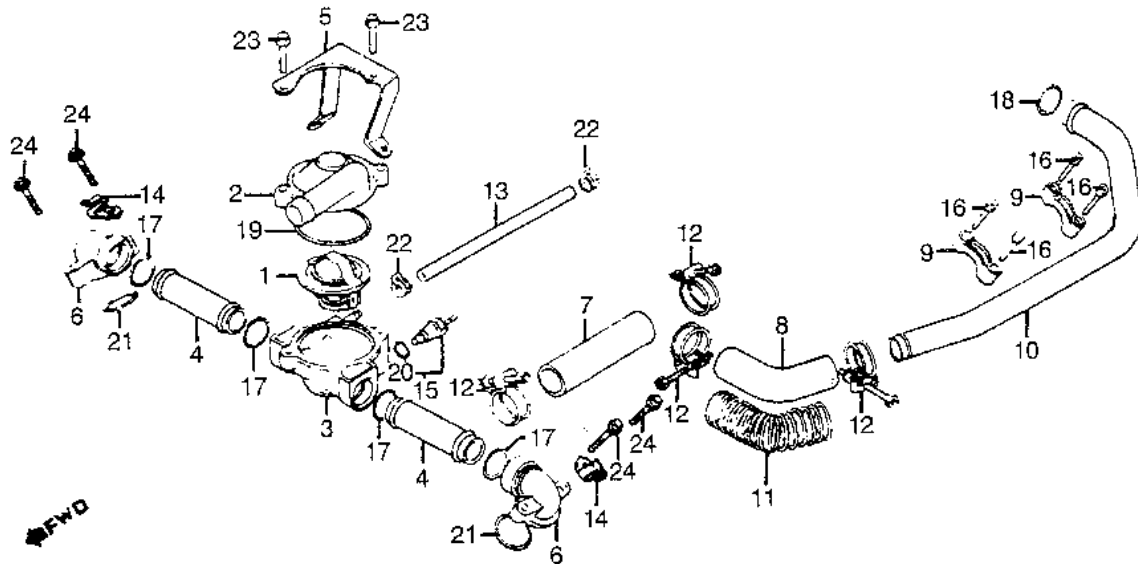
23	PIN, SPLIT (2.0X22)	94201-20220	001
24	BOLT, FLANGE (8X32)	95701-08032-07	
	(replaces	95700-08032-07)	001

Tail Light



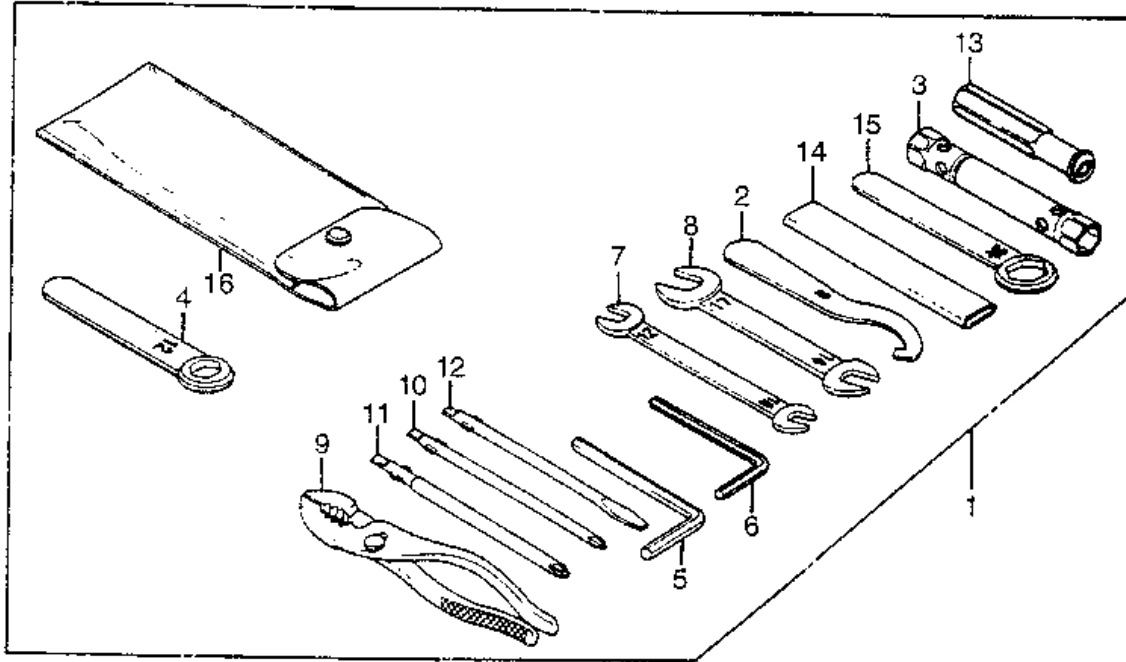
REF#	PART		#REQ
01	GASKET, SEAL	33518-SA2-003	001
02	TAILLIGHT UNIT	33701-ME8-671	001
03	SOCKET, TAILLIGHT	33706-ME8-003	001
04	CASE, TAILLIGHT	33710-ME8-003	001
05	LIGHT ASSY., LICENSE	33720-MG1-003	
	(replaces	33720-ME8-671)	001
06	BASE	33721-MB1-671	001
07	LENS, LICENSE	33722-MB1-013	
	(replaces	33722-MB1-003)	001
08	WIRE, LICENSE	33725-ME9-611	001
09	COVER	33727-MB1-003	001
10	GASKET, LENS	33729-MB1-003	001
11	BULB (12V8W4CP) (67)	34909-505-003	
	(replaces	34616-568-671)	
	(replaces	34902-500-003)	
	(replaces	34908-272-000)	
	(replaces	34909-505-610)	001
12	BULB (12V27/8W)	34906-425-771	001
13	BRKT, NUMBER PLATE	84701-ME8-670	001
14	NUT, CAP (4MM)	94021-04020-0S	002
15	NUT, FLANGE (6MM)	94050-06000	004

Thermostat & Coolant Pipes & Hoses



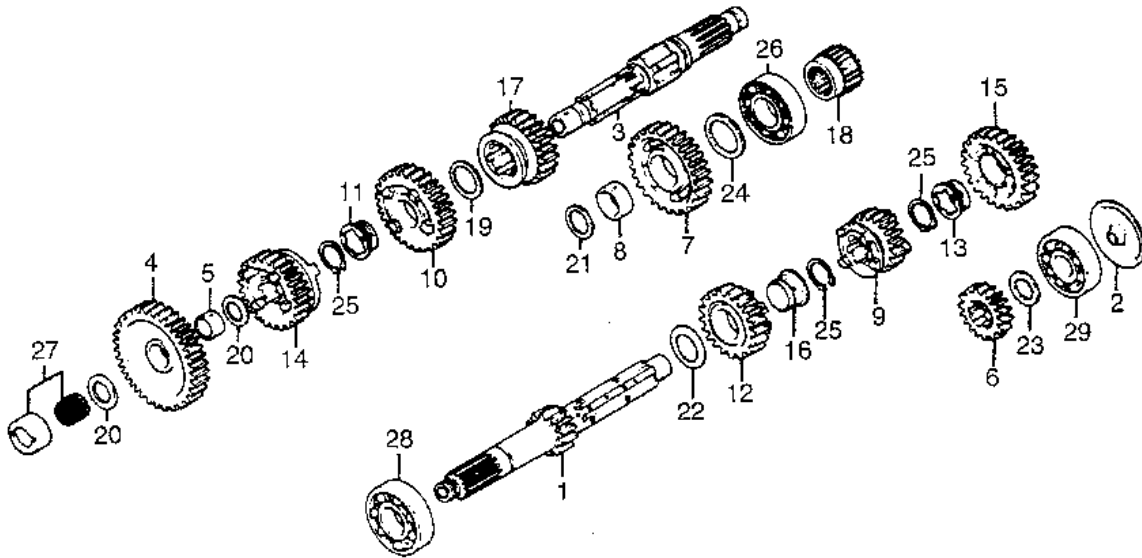
REF#	PART		#REQ
01	THERMOSTAT UNIT	19300-611-005	
		(replaces 19300-657-003)	001
02	COVER, THERMOSTAT	19315-MA1-000	001
03	CASE, THERMOSTAT	19411-415-000	001
04	PIPE, WATER (UPPER)	19414-ME2-000	002
05	STAY, THERMOSTAT	19418-ME2-000	001
06	JOINT A, WATER PIPE	19421-ME8-000	002
07	HOSE, WATER (UPPER)	19501-ME2-000	001
08	HOSE, WATER (LOWER)	19502-ME2-000	001
09	CLAMP, WATER PIPE	19503-ME2-000	002
10	PIPE, RR. WATER	19504-ME2-000	001
11	WIRE B, GUARD	19512-449-000	001
12	BAND, HOSE	19515-449-000	004
13	TUBE (5X225)	19521-ME2-000	001
14	CLIP, COIL WIRE	30753-ME2-000	002
15	SENDING UNIT	37750-611-154	001
16	BOLT, SPECIAL (5X22)	90089-415-000	004
17	O-RING (21.9X2.3)	91301-MB6-003	
		(replaces 91302-371-013)	
		(replaces 91302-371-023)	004
18	SEAL, WATER PIPE	91302-415-003	001
19	O-RING (53.8X3.1)	91302-657-000	001
20	O-RING (13.5X1.4)	91307-PH7-660	
		(replaces 91307-611-000)	001
21	O-RING (23X2.8)	94608-50000	002
22	CLIP, TUBE (D10.5)	95002-41050-08	002
23	BOLT, FLANGE (6X25)	95701-06025-00	
		(replaces 95700-06025-00)	002
24	BOLT, FLANGE (6X25)	96000-06025-00	004
24	BOLT, FLANGE (6X25)	96001-06025-00	004

Tools



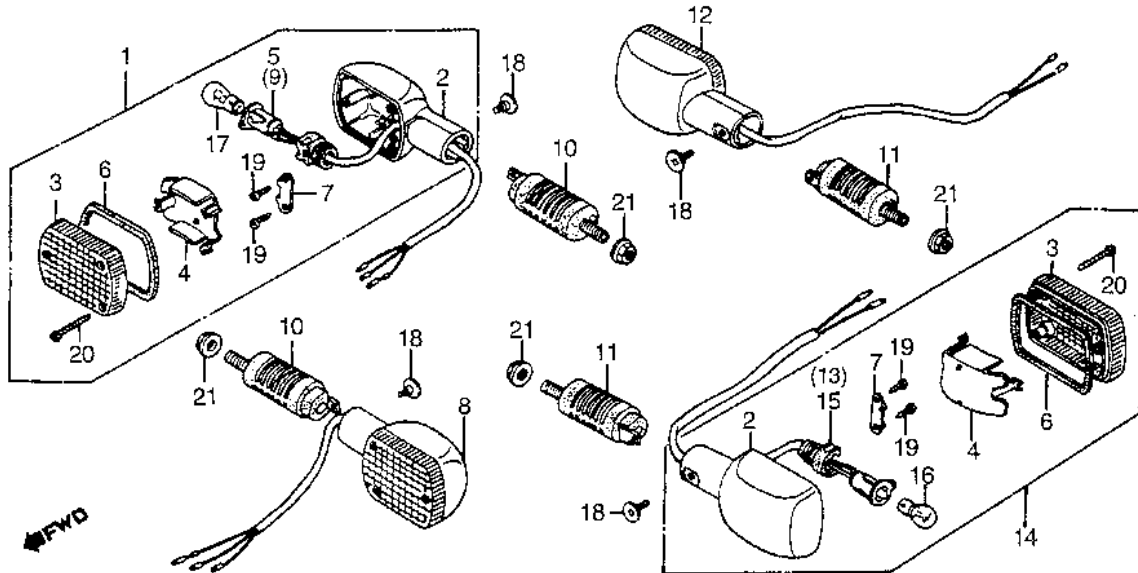
REF#	PART		#REQ
01	TOOL SET	89010-ME8-000	001
02	WRENCH, PIN	89215-404-670	001
03	WRENCH (18.5X17)	89216-415-000	001
04	WRENCH, EYE (12MM)	89217-415-000	001
05	WRENCH, HEX. (6MM)	89221-371-000	001
06	WRENCH, HEX. (5MM)	89221-429-000	001
07	SPANNER (10X12)	99001-10120	001
08	SPANNER (14X17)	99001-14170	001
09	PLIERS (135)	99002-13500	001
10	SCREWDRIVER 1 (NO.2)	99003-10000	001
11	SCREWDRIVER 2 (NO.3)	99003-20000	001
12	SCREWDRIVER 3 (NO.2)	99003-30000	001
13	GRIP	99003-50000	001
14	HANDLE (12MM)	99006-12000	001
15	WRENCH, EYE (24MM)	99006-24000	001
16	BAG, TOOL	89101-ME5-670	
	(replaces	99008-02000)	001

Transmission



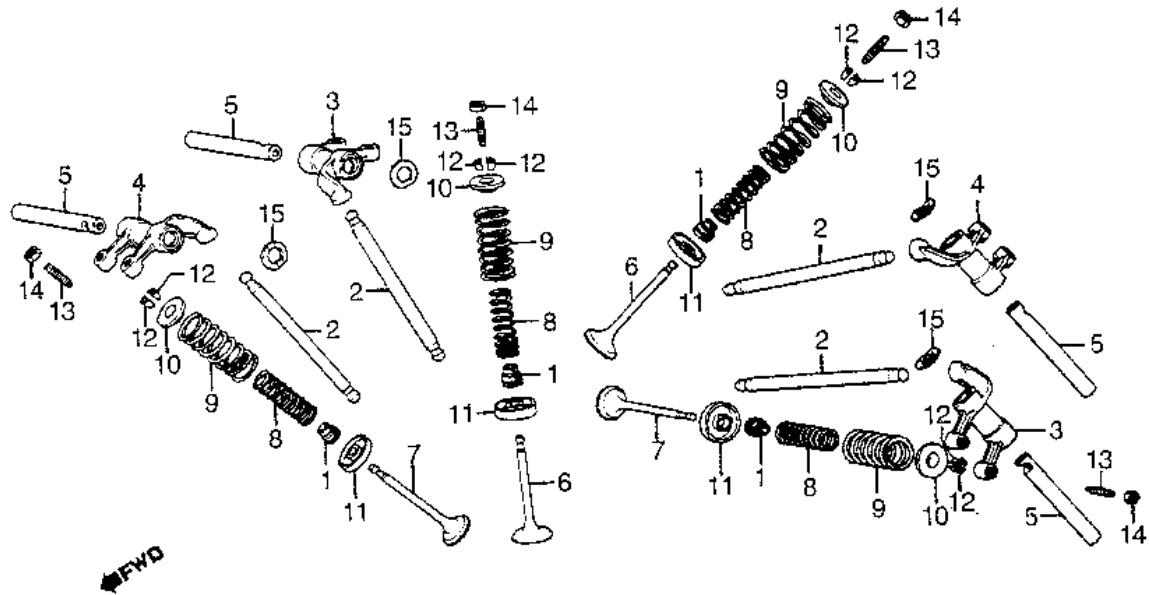
REF#	PART		#REQ
01	MAINSHAFT (16T)	23211-ME2-010	001
02	PLATE, OIL GUIDE	23219-415-000	001
03	COUNTERSHAFT, TRANS	23220-ME2-000	001
04	GEAR (40T)	23421-ME2-000	001
05	BUSH (20X24X11)	23422-MC7-000	001
06	GEAR (21T)	23431-MC7-000	001
07	GEAR (36T)	23441-ME2-000	001
08	BUSH (27.5X31X11.5)	23442-MC7-000	001
09	GEAR (25T)	23451-ME2-010	001
10	GEAR (32T)	23461-MC7-000	
		(replaces 23461-ME2-000)	
		(replaces 23461-ME7-000)	
11	BUSH (25X29X11.5)	23462-MC7-000	001
12	GEAR (28T)	23471-ME2-000	001
13	BUSH, SPLINE	23472-MC7-000	001
14	GEAR (29T)	23481-ME2-000	001
15	GEAR (31T)	23491-ME2-020	001
16	BUSH, SPLINE	23492-ME2-000	001
17	GEAR (26T)	23501-ME2-010	001
18	COLLAR, COUNTERSHAFT	23522-415-000	001
19	WASHER (25.2X34)	90446-430-000	001
20	WASHER (20X1.00)	90454-428-000	002
21	WASHER (27.5MM)	90455-MC7-000	001
22	WASHER C (25MM)	90459-357-000	001
23	WASHER A (20MM)	90461-MC7-000	001
24	WASHER A (25MM)	90466-MC7-000	001
25	CIRCLIP (25MM)	90601-300-000	003
26	BEARING (6205)	91010-MC7-003	001
26	BEARING, RADIAL BALL	91021-KV3-771	001
27	BEARING (20X34X16.8)	91023-MM4-003	
		(replaces 91022-426-008)	001
28	BEARING (6305)	96100-63051-00	001
29	BEARING (6204U)	96140-62040-00	001

Turn Signals



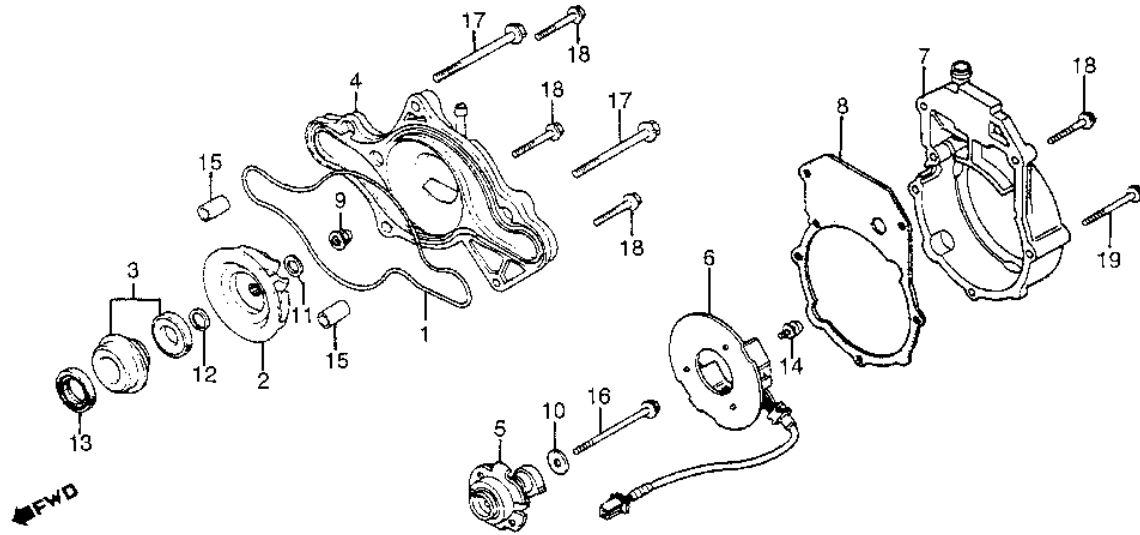
REF#	PART		#REQ
01	TURN SIGNAL, R. FR.	33400-ME8-670	001
02	BASE, TURN SIGNAL	33401-MB1-003	004
03	LENS, TURN SIGNAL	33402-MB1-003	004
04	REFLECTOR	33403-MB1-671	004
05	SOCKET, TURN SIGNAL	33405-MB1-405	001
05	WIRE, R. TURN SIGNAL	33405-MB1-671	
	(replaces	33405-ME8-670)	001
06	GASKET, LENS	33407-MB1-003	004
07	HOLDER	33408-MB1-003	004
08	TURN SIGNAL, L. FR.	33450-ME8-670	001
09	SOCKET, TURN SIGNAL	33405-MB1-405	
	(replaces	33455-MB1-671)	
	(replaces	33455-ME8-670)	001
10	STAY, FR.	33490-MB1-700	
	(replaces	33490-MB1-003)	002
11	STAY, FR.	33490-MJ1-971	
	(replaces	33490-ME5-000)	002
12	TURN SIGNAL ASSY.	33600-MG8-405	
	(replaces	33600-MB1-671)	
	(replaces	33600-MB1-679)	001
13	SOCKET, TURN SIGNAL	33605-MG8-405	
	(replaces	33605-MB1-003)	001
14	TURN SIGNAL, L. RR.	33650-ME8-670	001
15	SOCKET, TURN SIGNAL	33605-MG8-405	
	(replaces	33655-MB1-003)	
	(replaces	33655-ME8-000)	001
16	BULB (12V23W32CP)	34905-268-671	002
17	BULB (12V23/7W)	34901-504-003	002
17	BULB (12V23/8W)	34906-313-671	002
18	SCREW, SPECIAL (6X8)	90380-MB1-000	004
18	BOLT, SPECIAL (6X8)	90380-ME9-000	004
19	SCREW, TAP (4X12)	93901-34320	008
20	SCREW, TAP (4X25)	93901-34610	012
21	NUT, FLANGE (12MM)	94050-12080	004

Valves & Rocker Arms



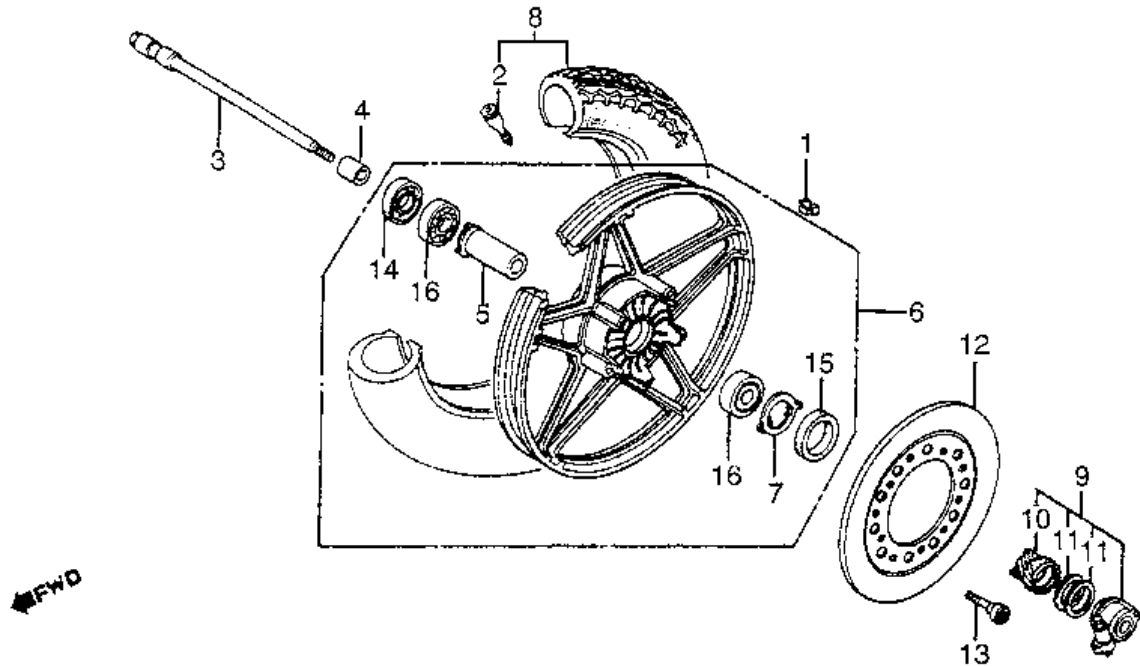
REF#	PART		#REQ
01	SEAL, VALVE STEM	12209-MB9-003	
		(replaces 12209-300-003)	008
02	ROD, PUSH	14410-ME2-000	004
03	ARM A, ROCKER	14420-MG0-000	002
04	ARM B, ROCKER	14430-MG0-000	002
05	SHAFT, ROCKER ARM	14450-MG0-000	004
06	VALVE, IN.	14711-ME2-000	004
07	VALVE, EX.	14721-415-000	004
08	SPRING, VALVE	14751-ME2-000	008
09	SPRING, VALVE	14761-415-005	008
10	RETAINER, VLV SPR	14771-551-020	008
11	SEAT, VALVE SPRING	14775-410-010	
		(replaces 14775-300-000)	008
12	COTTER, VALVE	14781-551-000	016
13	SCREW, TAPPET ADJ.	90012-414-000	008
14	NUT, TAPPET ADJ.	90206-590-000	008
15	WASHER, WAVE (1.5MM)	90405-415-000	004

Water Pump & Ignition Pulse Generator



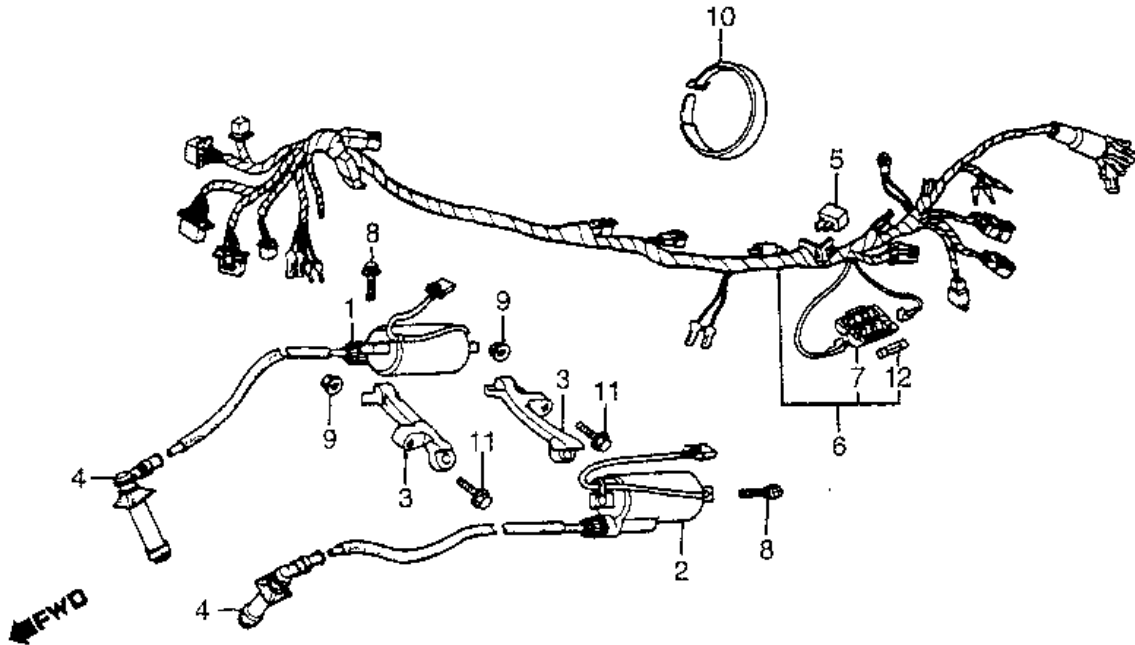
REF#	PART		#REQ
01	GASKET	11396-415-000	001
02	IMPELLER, WATER PUMP	19215-ME2-000	001
03	SEAL, MECHANICAL	19217-657-023	001
04	COVER, WATER PUMP	19221-ME2-000	001
05	ADVANCER, SPARK	30220-ME2-000	001
06	GENERATOR, PULSE	30300-MG0-154	001
07	COVER, PULSER	30372-MC7-010	001
08	GASKET, PULSER COVER	30373-MC7-306	001
	(replaces 30373-MC7-000)		
09	NUT, CAP (6MM)	90201-415-000	001
10	WASHER	90417-115-000	001
11	WASHER (6MM)	90441-706-000	001
12	WASHER (10MM)	90453-415-000	001
13	OIL SEAL (18X28X6)	91202-283-013	001
14	SCREW-WASHER (6X12)	93891-06012-00	002
15	PIN, DOWEL (10X16)	94301-10160	002
16	BOLT, FLANGE (6X60)	95701-06060-00	
	(replaces 95700-06060-00)		001
17	BOLT, FLANGE (8X65)	95701-08065-00	
	(replaces 95700-08065-00)		002
18	BOLT, FLANGE (6X25)	96000-06025-00	007
18	BOLT, FLANGE (6X25)	96001-06025-00	007
19	BOLT, FLANGE (6X40)	96001-06040-00	
	(replaces 96000-06040-00)		002

Wheel, Front & Brake Disc



REF#	PART		#REQ
01	WEIGHT (10G)	42704-MB0-000	AR
01	WEIGHT, BALANCE (20)	42705-MCF-D60	AR
	(replaces 42705-MB0-000)		AR
01	WEIGHT, BALANCE (30)	42706-MCF-D60	AR
	(replaces 42706-MB0-000)		AR
02	VALVE, RIM	42753-425-003	
	(replaces 42753-425-004)		001
03	AXLE, FR. WHEEL	44301-461-770	001
04	COLR, FR. WHEEL SIDE	44311-461-770	001
05	COLLAR, FR.	44620-MB0-000	001
06	WHEEL, FR.	44650-ME8-305	001
07	RETAINER, GEAR BOX	44680-410-000	001
08	TIRE (100/90-19)	44710-ME8-672	
	(replaces 44710-ME8-671)		001
09	BOX ASSY.	44800-MB0-013	001
10	GEAR, SPEEDOMETER	44806-MB0-003	001
11	WASHER	44809-402-000	002
12	DISK,FR BRAKE	45251-KW9-970	
	(replaces 45251-MF5-000)		001
13	BOLT, FR. (8X33)	90105-MB0-010	
	(replaces 90105-MB0-000)		005
14	DUST SEAL (22X42X7)	91252-MC7-003	001
15	DUST SEAL (40X50X5)	91258-410-013	001
16	BEARING (6302UU)	96150-63020-10	002

Wire Harness & Ignition Coils



REF#	PART		#REQ
01	COIL, R. IGNITION	30501-MA1-003	001
02	COIL, L. IGNITION	30502-MA1-003	001
03	STAY, IGNITION COIL	30505-ME8-000	002
04	CAP ASSY., PLUG	30700-ME2-000	002
05	RECTIFIER, SILICON	31700-124-003	001
06	WIRE HARNESS	32100-ME8-000	001
07	CASE, FUSE (10A)	32126-463-770	001
08	SCREW-WASHER (5X25)	93891-05025-08	004
09	NUT, FLANGE (6MM)	94050-06080	002
10	BAND A2, CABLE	95014-61200	001
11	BOLT, FLANGE (6X25)	95725-06025-08	002
12	FUSE B (10A)	98200-21000	002