

1983 CX650T Parts Manual

The data contained herein was collected from sources on the Internet freely available to the general public.

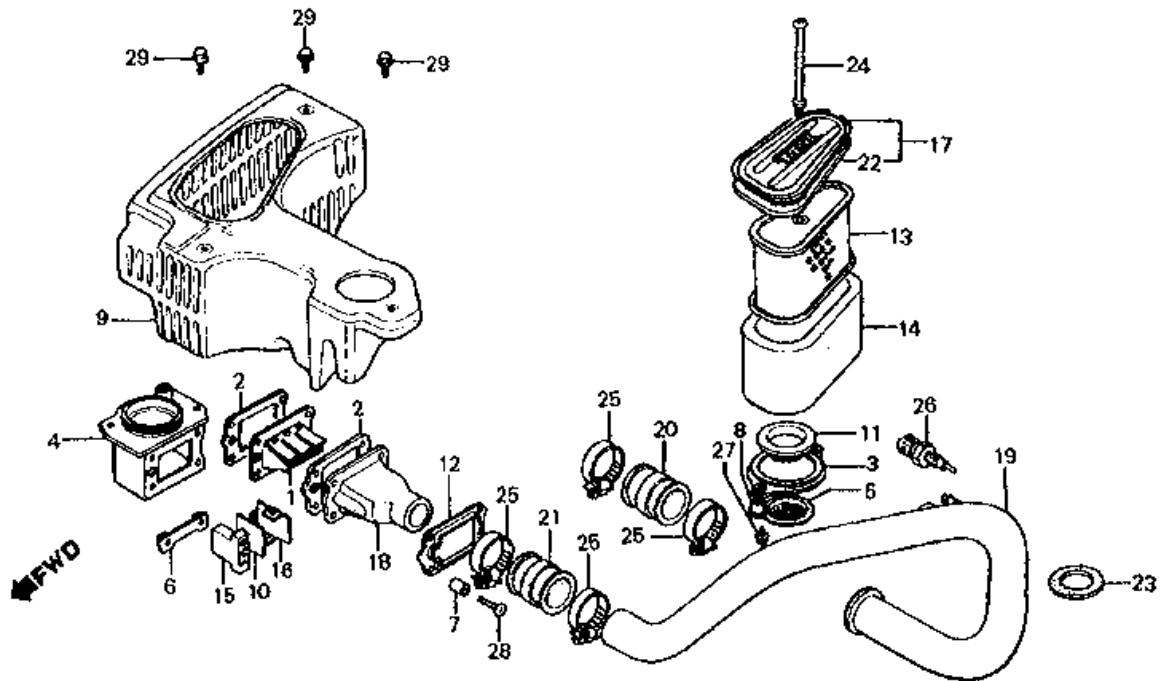
Disclaimer: The information contained herein is believed to be accurate but the user of this data assumes all risk associated with its usage.

Table of Contents

Air Cleaner.....	4
Alternator & Starter Clutch.....	5
Battery & Sidecovers	6
Block, Cylinder.....	7
Brake Caliper, Front.....	9
Brake Caliper, Rear.....	11
Brake Master Cylinder, Front	12
Brake Master Cylinder, Rear	14
Camshaft & Lower Rocker Arm.....	16
Camshaft Chain & Tensioner.....	17
Clutch.....	18
Clutch Cover & Oil Filter	19
Control Levers & Switches & Cables.....	20
Coolant Reserve Tank & Breather Separator.....	21
Crankshaft & Pistons	22
Cylinder Head, Left	23
Cylinder Head, Right	25
Cylinder Head Covers.....	26
Decals.....	27
Electrical Plate & Modules	28
Engine Cover, Front (Transmission Cover).....	29
Engine Cover, Rear.....	30
Exhaust System.....	31
Fairing.....	32
Fairing Stay.....	34
Fender, Front.....	35
Fender, Rear	36
Final Shaft.....	37
Footpegs.....	38
Forks	40
Frame	42
Fuel Pump & Tool Box.....	43
Fuel Tank & Petcock	44
Gasket Kit A	45
Gasket Kit B.....	46
Handlebar & Top Bridge & Lockset.....	47
Instruments.....	49
Light, Front Combination	51
Oil Pan	52
Oil Pump & Primary Drive Gear	53
Pedal, Brake & Shift.....	54
Radiator & Cooling Fan.....	55
Rear End.....	56

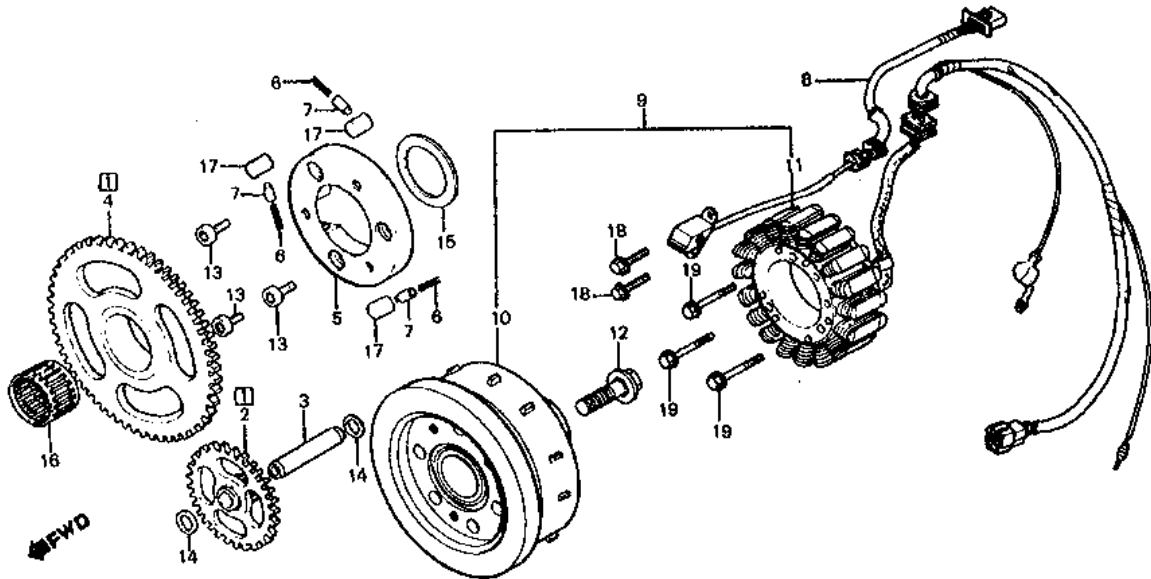
Seat & Rear Cowl	58
Shift Drum & Shift Fork	59
Shock Absorber & Rear Suspension.....	60
Stand, Center & Side Stand	62
Starter Motor	63
Steering Stem & Horns	64
Stripes	65
Swingarm	66
Tail Light	68
Thermostat & Cooling Pipes & Hoses.....	69
Throttle Body & Intake Manifold.....	70
Tools	72
Transmission.....	73
Turbo Pump	75
Turn Signals.....	77
Valves & Upper Rocker Arms.....	78
Water Pump & Ignition Pulse Generator.....	79
Wheel, Front & Brake Discs.....	80
Wheel, Rear.....	81
Windscreen & Inner Panel	82
Wire Harness & Ignition Coils	84

Air Cleaner



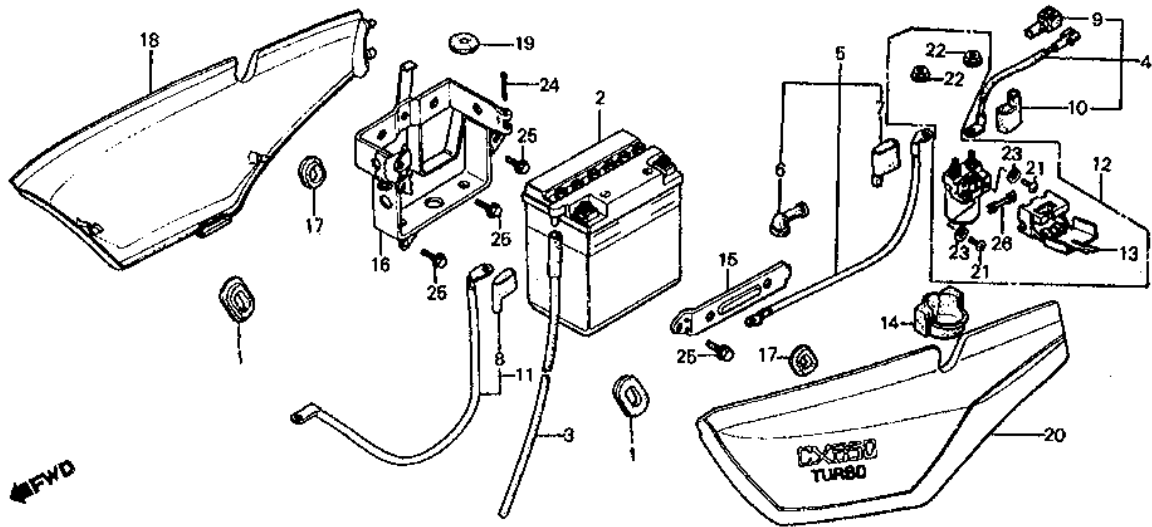
REF#	PART		#REQ
01	VALVE ASSY., REED	14200-ME7-013	
		(replaces 14200-ME7-003)	001
02	GASKET, REED VALVE	14203-ME7-000	002
03	RING, REED VALVE	17202-MC7-000	001
04	CHAMBER, REED VALVE	17203-ME7-000	001
05	NET, AIR CLEANER	17204-MC7-000	001
06	PATCH, REED VALVE	17205-ME7-000	001
07	COLLAR	17207-MC7-000	004
08	COLLAR B	17208-ME7-000	002
09	HOUSING, AIR CLEANER	17210-ME7-000	001
10	GASKET, MUFFLER	17211-MC7-000	001
11	GASKET, A/CLNR ELEM	17212-MC7-000	001
12	HOLDER, REED VALVE	17213-ME7-000	001
13	TRAP, FLAME	17216-MC7-000	001
14	ELEMENT, AIR CLEANER	17217-MC7-000	001
15	CHAMBER, MUFFLER	17218-MC7-000	001
16	CAP, MUFFLER	17219-MC7-000	001
17	COVER, AIR CLEANER	17220-ME7-000	001
18	JOINT, A/CLNR HSG	17222-ME7-000	001
19	TUBE	17223-ME7-000	001
20	JOINT A	17224-ME7-000	001
21	JOINT B	17225-ME7-000	001
22	GASKET, A/CLNR HSG	17226-MC7-000	001
23	RING	17227-ME7-000	001
24	BOLT, A/CLNR ELEM	17228-MC7-000	001
25	BAND	17256-MC7-000	004
26	SENSOR, AIR TEMP	36152-MC7-003	001
27	SCREW, PAN (4X8)	93500-04008-0A	002
28	SCREW-WASHER (4X20)	93892-04020-08	004
29	BOLT, FLANGE (6X10)	95701-06010-00	
		(replaces 95700-06010-00)	003

Alternator & Starter Clutch



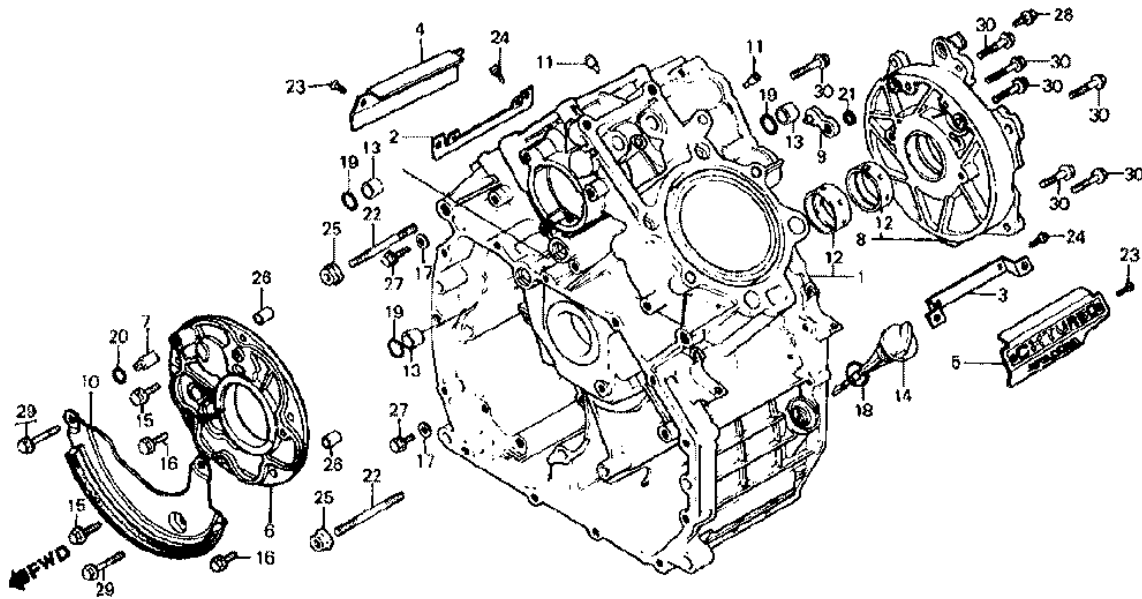
REF#	PART		#REQ
01	GEAR SET, STARTER	28100-415-305	001
02	GEAR	28102-415-010	001
03	SHAFT	28106-ME7-000	001
04	GEAR	28110-MF5-000	
		(replaces 28110-415-010)	001
05	CLUTCH, STARTER	28120-415-000	001
06	SPRING	28125-516-030	003
07	CAP	28126-516-020	003
08	GENERATOR, PULSE	30300-ME7-005	001
09	ALTERNATOR ASSY.	31100-ME7-005	
		(replaces 31100-ME7-000)	001
10	ROTOR	31110-ME7-005	
		(replaces 31110-ME7-000)	001
11	STATOR	31120-MC7-005	001
12	BOLT (12X30)	90002-415-003	001
13	BOLT, SOCKET 8MM	90010-KCJ-690	
		(replaces 90010-415-000)	003
14	WASHER (12MM)	90451-708-000	002
15	WASHER (37MM)	90454-415-000	001
16	BEARING (32MM)	91021-415-005	001
17	ROLLER (15X13)	91101-516-000	003
18	BOLT, FLANGE (6X20)	95701-06020-00	
		(replaces 95700-06020-00)	002
19	BOLT, FLANGE (6X40)	95701-06040-00	
		(replaces 95700-06040-00)	003

Battery & Sidecovers



REF#	PART		#REQ
01	GROMMET A	17247-303-000	002
02	BATTERY ASSY.	31500-425-672	
		(replaces 31500-415-601)	
		(replaces 31500-415-671)	
		(replaces 31500-425-671)	
		(replaces 31500-425-677)	
		(replaces 31500-461-770)	
		(replaces 31500-461-771)	
		(replaces 31500-461-772)	001
03	TUBE BAT, BREATHER	31502-MB1-405	
		(replaces 31502-MC7-000)	001
04	CABLE	32401-MA1-730	001
05	CABLE, STARTER MOTOR	32410-ME7-000	001
06	COVER	32411-230-000	
		(replaces 32411-253-000)	001
07	COVER	32412-426-000	001
08	COVER A	32412-443-900	001
09	COVER, TERMINAL	32414-MA1-730	001
10	COVER B	32416-460-000	001
11	CABLE	32601-ME7-000	001
12	SWITCH ASSY.	35850-MB0-007	001
13	COVER, FUSE	35852-MB0-007	001
14	RUB, SHOCK ABSORBER	35856-MB0-007	001
15	BAND B	50330-ME7-000	001
16	BOX, BATTERY	50332-MC7-000	001
17	GROMMET, A/CLNR HSG	83551-300-000	002
18	CVR SUB *NH121PA*	83610-ME7-000ZA	001
19	RUBBER, BATTERY BOX	83618-323-000	006
20	CVR SUB *NH121PA*	83710-ME7-000ZA	001
21	SCREW, PAN (4X6)	93500-04006-0H	
		(replaces 93500-04006-1H)	002
22	NUT, FLANGE (6MM)	94050-06000	002
23	WASHER, SPRING (4MM)	94111-04800	002
24	PIN, COTTER (3.0X45)	94201-30450	
		(replaces 94201-30400)	001
25	BOLT, FLANGE (6X10)	95701-06010-00	
		(replaces 95700-06010-00)	004
26	FUSE F (30A)	98200-53000	002

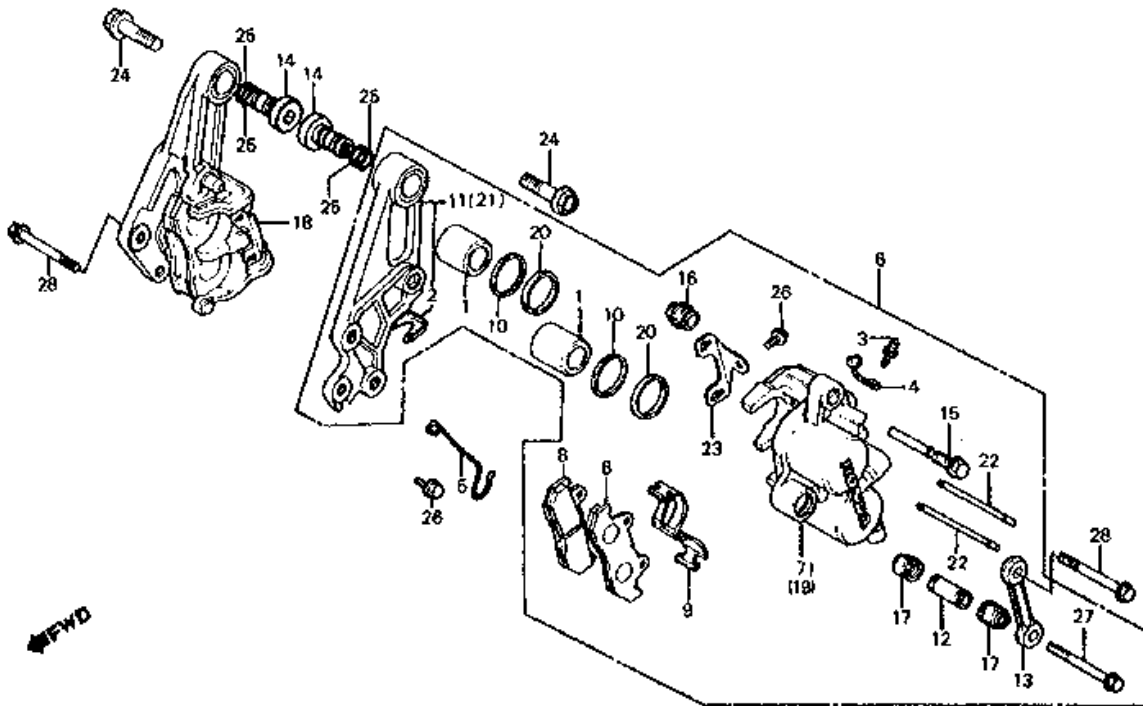
Block, Cylinder



REF#	PART		#REQ
01	BLOCK, CYLINDER	11100-ME7-000	001
02	SPACER, R. EMBLEM	11102-ME2-000	001
03	SPACER, L. EMBLEM	11103-ME2-000	001
04	EMBLEM, R.	11104-ME7-000	001
05	EMBLEM, L.	11105-ME7-000	001
06	HOLDER, TRANSMISSION	11131-MC7-000	001
07	ORIFICE (8MM)	11132-MC7-000	001
08	CAP, CRANKSHAFT	11140-ME2-000	001
09	JET, R. OIL	11146-ME2-000	001
10	SEPARATOR, OIL	11365-ME7-000	001
11	VALVE	12901-413-000	002
12	BEARING A, MAIN	13323-MC7-305	002
12	BEARING B, MAIN	13324-MC7-305	002
12	BEARING C, MAIN	13325-MC7-305	002
13	COLLAR, O-RING	15155-300-000	003
14	DIPSTICK, OIL	15650-MK7-670	
	(replaces	15650-449-000)	001
15	BOLT, FLANGE (6X20)	90003-MB2-000	
	(replaces	90003-MC7-000)	002
16	BOLT, FLANGE (7X22)	90003-ME2-000	002
17	WASHER (12MM)	90461-357-000	002
18	O-RING (22X3.0)	91307-425-003	
	(replaces	91301-250-000)	001
19	O-RING (13.6X2.4)	91301-268-020	003
20	O-RING (8X1.7)	91306-HB3-003	
	(replaces	91303-001-000)	001
21	O-RING (8.2X1.5)	91308-MC7-000	001
22	BOLT, STUD (10X60)	92700-10060-0B	002
22	BOLT, STUD (10X40)	92900-10040-0B	002
23	SCREW, OVAL (4X6)	93700-04006-0A	004
24	SCREW, TAPPING (4X6)	93901-34010	004
25	NUT, FLANGE (10MM)	94050-10080	002
26	PIN, DOWEL (8X14)	94301-08140	002
27	BOLT, FLANGE (6X12)	95701-06012-00	
	(replaces	95700-06012-00)	002
28	BOLT, FLANGE (6X16)	95701-06016-00	

29	BOLT, FLANGE (6X32)	(replaces 95700-06016-00)	001
		95701-06032-00	
30	BOLT, FLANGE (8X25)	(replaces 95700-06032-00)	002
		95701-08025-00	
		(replaces 95700-08025-00)	007

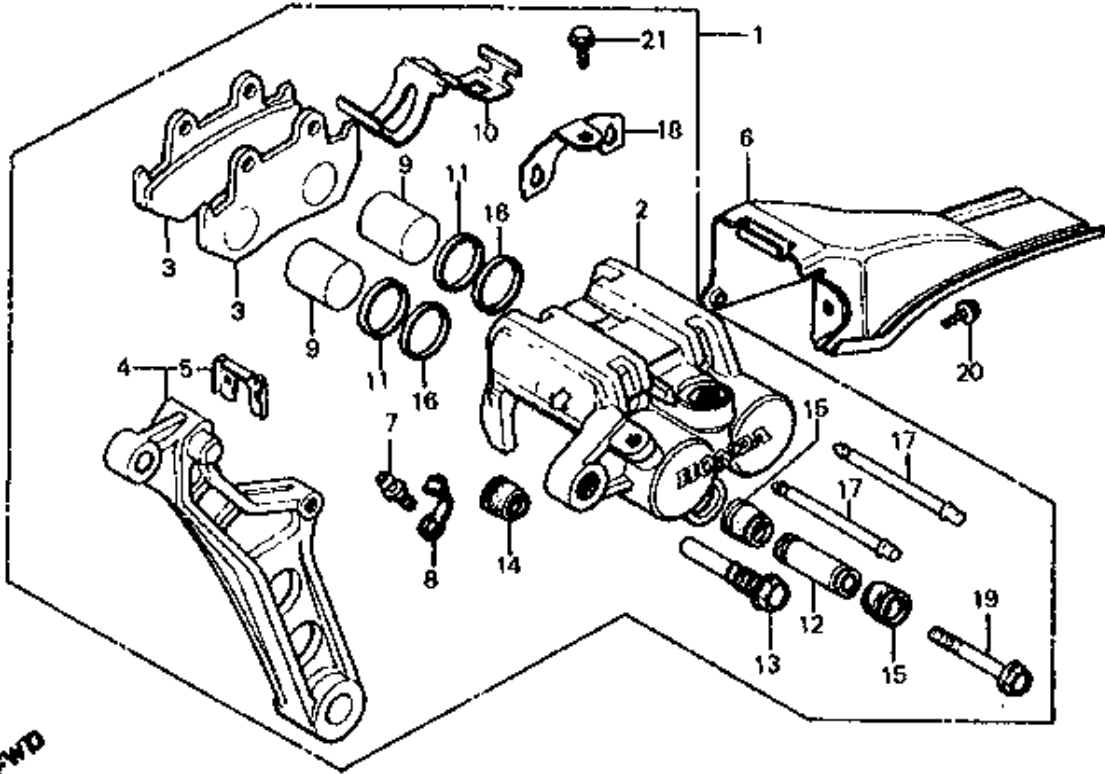
Brake Caliper, Front



REF#	PART		#REQ
01	PISTON	43107-MA7-006	004
02	RETAINER, RR.	43112-410-006	002
03	SCREW, BLEEDER	43352-568-003	002
04	CAP, BLEEDER	43353-461-771	002
05	CLAMP	44832-ME2-000	001
06	CALIPER, L. FR.	45100-ME7-007	
	(replaces	45100-ME7-004)	001
07	CALIPER, L.	45101-MB9-781	001
08	PAD	45105-KL8-014	
	(replaces	45105-KL8-004)	
	(replaces	45105-MC7-004)	
	(replaces	45105-MC7-007)	
	(replaces	45105-MC7-014)	004
09	SPRING, PAD	45108-MA3-006	002
10	DUST SEAL	45109-MA7-006	004
11	BRACKET, L. FR.	45110-MC7-006	001
12	SLEEVE	45111-MA3-006	002
13	BRIDGE	45113-MC7-610	002
14	SLEEVE, FR.	45114-MC7-611	002
15	PIN, BOLT	45131-MA3-006	002
16	BOOT B	45133-MA3-006	002
17	BOOT, PIN	45133-166-016	004
18	CALIPER, R. FR.	45200-ME7-007	
	(replaces	45200-ME7-004)	001
19	CALIPER, R.	45201-MB4-006	001
20	SEAL, PISTON	45209-MA7-006	004
21	BRACKET, R. FR.	45210-MC7-006	001
22	PIN, HANGER	45215-MA3-006	004
23	PLATE	45217-MA3-006	002
24	BOLT, FLANGE (10X50)	90185-MC7-013	
	(replaces	90185-MC7-003)	
	(replaces	90185-MC7-010)	002
24	BOLT, FLANGE (10X50)	90185-MC7-013	002

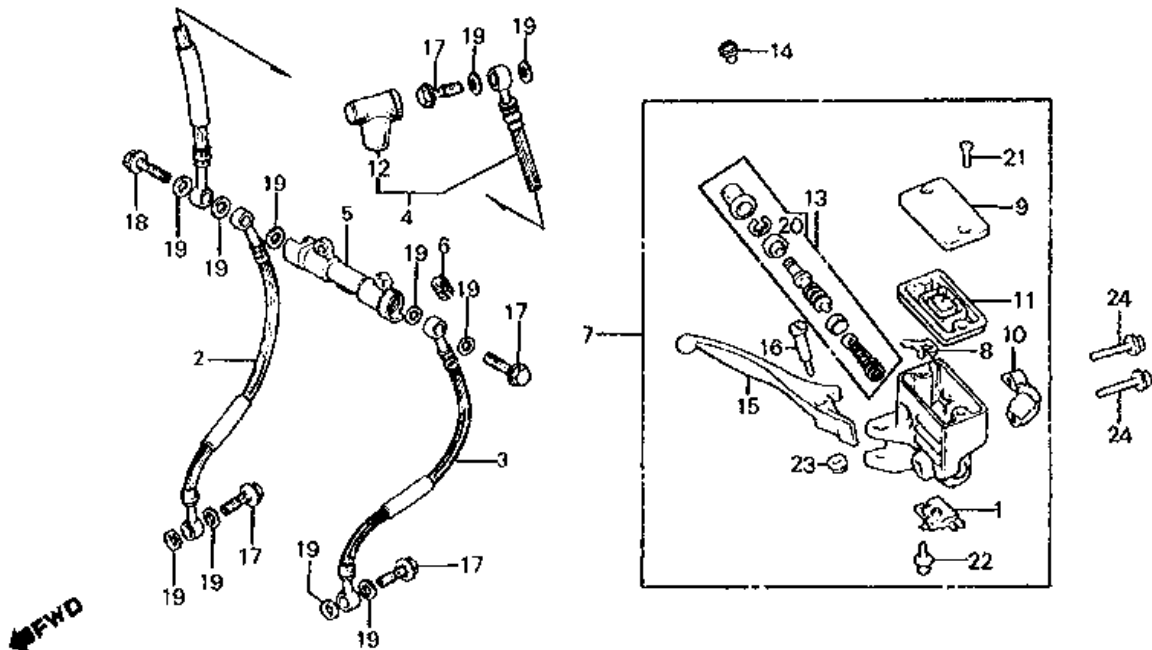
25	O-RING (16.8X1.9)	91347-PY3-000	
	(replaces	91302-MC7-611)	004
26	BOLT, FLANGE (6X10)	95701-06010-07	
	(replaces	95700-06010-07)	003
27	BOLT, FLANGE (8X50)	95801-08050-07	
	(replaces	95800-08050-07)	002
28	BOLT, FLANGE (8X55)	95801-08055-07	
	(replaces	95800-08055-07)	002
NI	BRAKE PAD KIT	451A0-MC7-67	002

Brake Caliper, Rear



REF#	PART		#REQ
01	CALIPER ASSY., RR.	43100-MC7-016	
	(replaces	43100-MC7-007)	001
02	CALIPER, RR.	43101-MB9-006	001
03	PAD, RR.	43105-MJ6-014	
	(replaces	43105-MC7-007)	
	(replaces	43105-MC7-014)	
	(replaces	43105-MJ6-004)	002
04	BRACKET, RR. BRAKE	43110-MC7-006	001
05	RETAINER, RR.	43112-445-631	001
06	COVER, RR. DISK	43140-MB9-000	001
07	SCREW, BLEEDER	43352-568-003	001
08	CAP, BLEEDER	43353-461-771	001
09	PISTON	45107-MA3-006	002
10	SPRING, PAD	45108-MA3-006	001
11	DUST SEAL	45109-166-006	002
12	SLEEVE	45111-MA3-006	001
13	PIN, BOLT	45131-MA3-006	001
14	BOOT B	45133-MA3-006	001
15	BOOT, PIN	45133-166-016	002
16	SEAL, PISTON	45209-166-006	002
17	PIN, HANGER	45215-MA3-006	002
18	PLATE	45217-MA3-006	001
19	BOLT, FLANGE (8X49)	90180-MA3-006	001
20	SCREW-WASHER (5X10)	93892-05010-07	001
21	BOLT, FLANGE (6X10)	95701-06010-07	
	(replaces	95700-06010-07)	001
NI	BRAKE PAD KIT	431A0-MC7-02	001

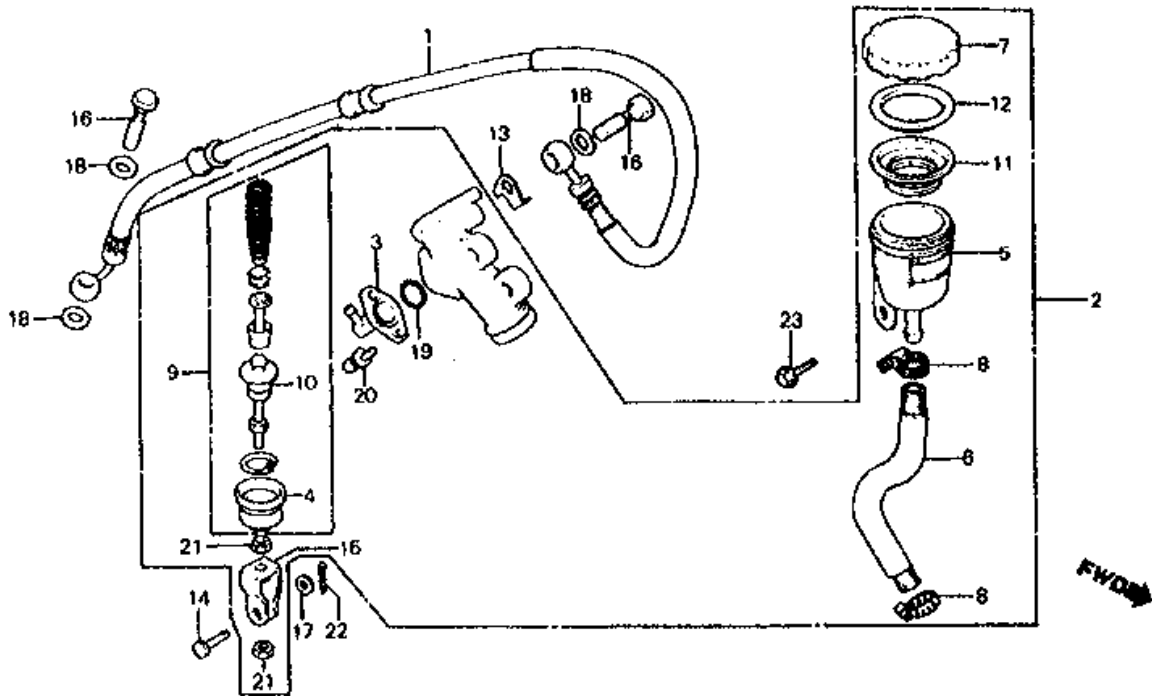
Brake Master Cylinder, Front



REF#	PART		#REQ
01	SWITCH, FR. STOP	35340-MA5-671	001
02	HOSE A, R. RR. BRAKE	45124-ME7-013	
	(replaces 45124-ME7-003)		001
03	HOSE A, L. FR. BRAKE	45125-ME7-013	
	(replaces 45125-ME7-003)		001
04	HOSE, FR. BRAKE	45126-ME7-672	
	(replaces 45126-ME7-671)		001
05	JOINT, TWO-WAY	45127-MA1-003	001
06	SPACER	45154-MC7-000	001
07	MASTER CYLINDER, FR.	45500-MA7-026	001
08	PROTECTOR	45512-MA6-006	001
09	CAP, OIL CUP	45513-MA5-671	001
10	HOLDER	45517-MA5-671	001
11	DIAPHRAGM	45520-MA5-672	
	(replaces 45520-MA5-671)		001
12	BOOT	45522-422-000	001
13	MASTER CYLINDER SET	45530-MA5-671	001
14	PLUG	53174-116-670	
	(replaces 53174-463-770)		001
15	LEVER, R. HANDLEBAR	53175-MA5-671	001
16	BOLT, R.	90114-MA5-671	001
17	BOLT, OIL (10X22)	90145-KM3-751	
	(replaces 90145-961-010)		
	(replaces 90145-KE8-000)		
	(replaces 90145-KM3-750)		004
18	BOLT, OIL (10X34)	90145-MG5-670	001
18	BOLT, OIL (10X34)	90145-MR8-004	001
19	WASHER, OIL BOLT	90545-300-000	011
20	CIRCLIP	90651-MA5-671	001
21	SCREW, FLAT (4X12)	93600-04012-0G	
	(replaces 93600-04012-1G)		002
22	SCREW-WASHER (4X12)	93893-04012-08	
	(replaces 93893-04012-18)		001
23	NUT, FLANGE (6MM)	94050-06000	001
24	BOLT, FLANGE (6X25)	95701-06025-07	

(replaces 95700-06025-07) 002

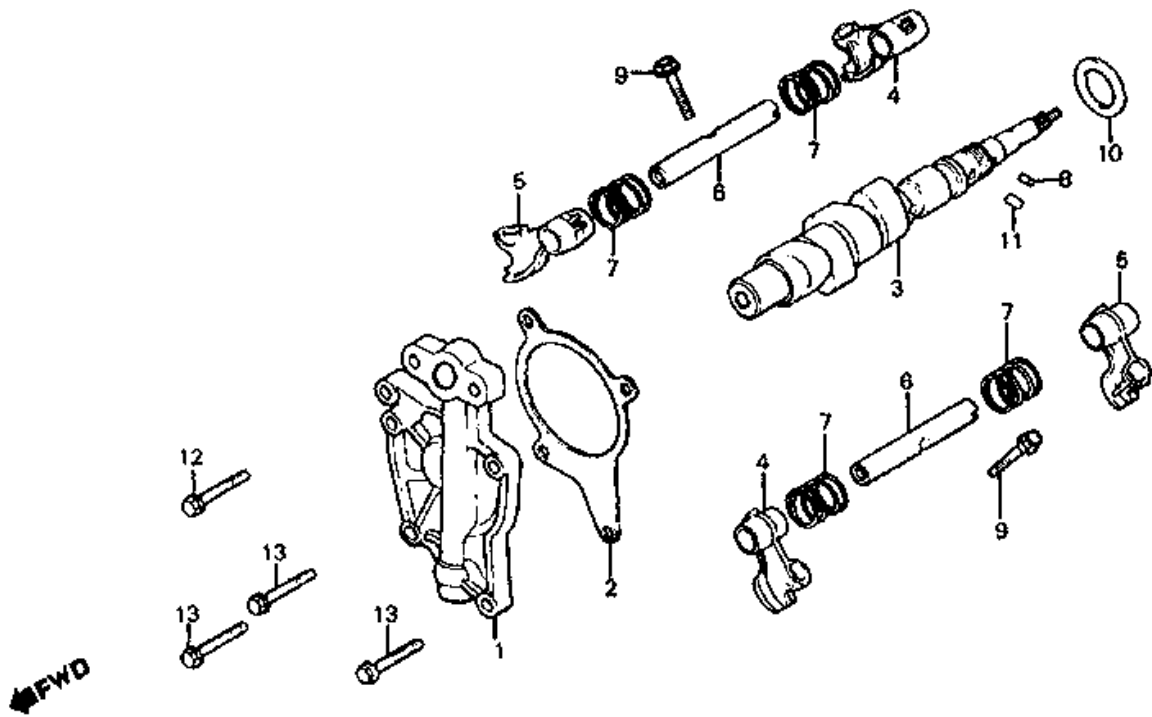
Brake Master Cylinder, Rear



REF#	PART		#REQ
01	HOSE, RR. BRAKE	43310-ME7-013	001
		(replaces 43310-ME7-003)	
02	MASTER CYLINDER, RR.	43500-MC7-016	001
		(replaces 43500-MC7-006)	
03	CONNECTOR	43503-422-006	001
04	BOOT	43504-371-013	001
05	CUP	43511-443-761	001
06	HOSE	43512-MC7-612	001
		(replaces 43512-MC7-611)	
07	CAP, OIL CUP	43513-MJ6-006	001
		(replaces 43513-461-771)	
08	CLAMP	43514-445-771	002
09	MASTER CYLINDER SET	43520-461-771	001
10	ROD, PUSH	43530-MC7-006	001
11	DIAPHRAGM	45520-300-000	001
12	PLATE, DIAPHRAGM	45521-MJ6-006	001
		(replaces 45521-300-010)	
13	STOPPER, OIL BOLT	45535-MC7-000	001
14	PIN, BRAKE ROD	46503-371-000	001
15	JOINT, BRAKE ROD	46504-445-771	001
16	BOLT, OIL (10X22)	90145-KM3-751	001
		(replaces 90145-961-010)	
		(replaces 90145-KE8-000)	
		(replaces 90145-KM3-750)	002
17	WASHER (7X12)	90501-310-000	001
18	WASHER, OIL BOLT	90545-300-000	003
19	O-RING (14.8X2.4)	91212-422-006	001
20	SCREW-WASHER (4X12)	93893-04012-08	001
		(replaces 93893-04012-18)	
21	NUT, HEX. (8MM)	94002-08000-05	002
22	PIN, COTTER (1.6X25)	94201-16250	001
		(replaces 94201-16150)	
23	BOLT, FLANGE (6X12)	95701-06012-00	001

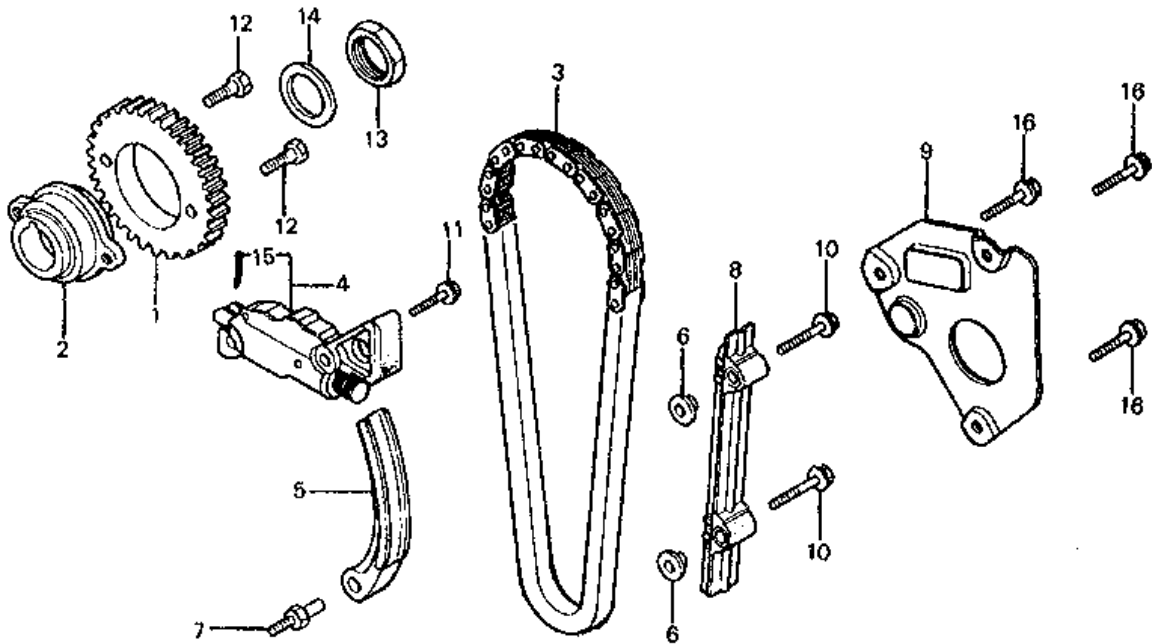
(replaces 95700-06012-00) 001

Camshaft & Lower Rocker Arm



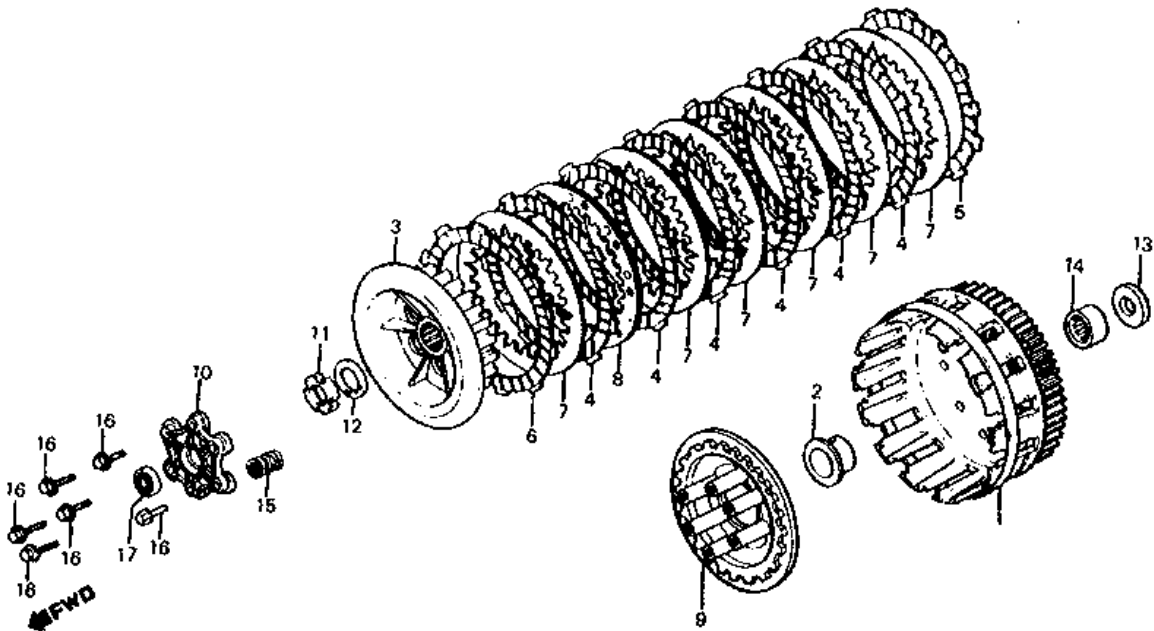
REF#	PART		#REQ
01	HOLDER, CAMSHAFT	12221-MC7-000	001
02	GASKET	12230-MC7-306	
		(replaces 12230-MC7-000)	001
03	CAMSHAFT	14100-ME7-000	001
04	ARM A, ROCKER	14441-415-010	002
05	ARM B, ROCKER	14442-415-010	002
06	SHAFT, ROCKER ARM	14451-ME7-000	002
07	SPRING A	14453-415-000	004
08	PIN (3X5.2)	30905-216-000	001
09	BOLT, SPECIAL (6X30)	90008-415-000	002
10	WASHER (26MM)	90407-415-000	001
11	ROLLER (5X8.5)	91105-415-000	001
12	BOLT, FLANGE (6X22)	96001-06022-00	
		(replaces 96000-06022-00)	001
13	BOLT, FLANGE (6X28)	96001-06028-00	
		(replaces 96000-06028-00)	003

Camshaft Chain & Tensioner



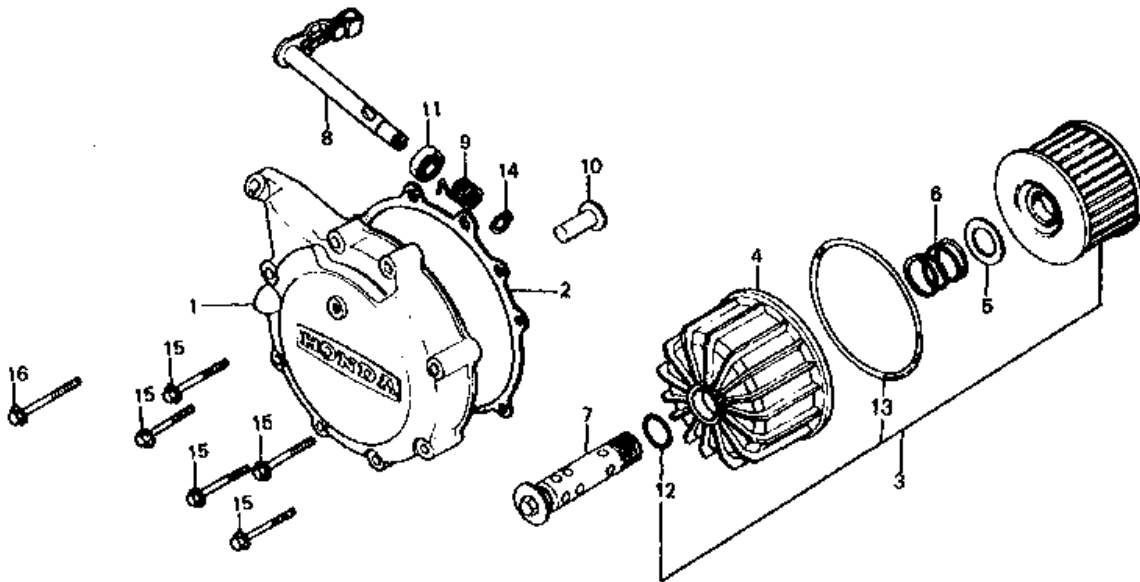
REF#	PART		#REQ
01	SPROCKET, CAM	14321-415-000	001
02	BOSS, CAM SPROCKET	14322-415-000	001
03	CHAIN, CAM	14401-MA1-013	001
04	TENSIONER, CAM CHAIN	14500-MC7-010	001
05	TENSIONER, CAM CHAIN	14511-MC7-000	001
06	COLLAR (6X14.7)	14515-428-000	002
07	PIN	14538-MC7-000	001
08	GUIDE, CAM CHAIN	14620-MC7-000	001
09	PLATE	14623-MC7-000	001
10	BOLT, HEX. (6X30)	90011-415-000	002
11	BOLT, FLANGE (8X32)	90015-MC7-000	001
12	BOLT (7X17)	90081-415-000	002
13	NUT, LOCK (20MM)	90241-MJ8-000	
		(replaces 90207-415-000)	001
14	WASHER, LOCK	90432-ME7-000	001
15	PIN, COTTER (2.5X18)	94201-25180	001
16	BOLT, FLANGE (6X16)	95701-06016-00	
		(replaces 95700-06016-00)	003

Clutch



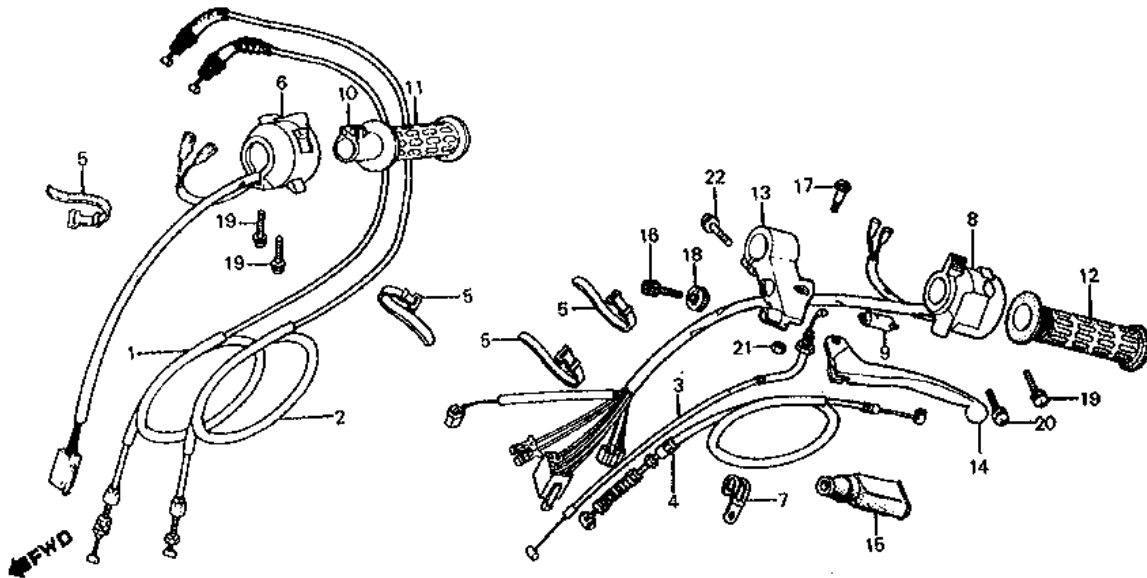
REF#	PART		#REQ
01	CLUTCH (OUTER)	22100-ME7-000	001
02	GUIDE, CLUTCH	22116-ME7-000	001
03	CENTER, CLUTCH	22120-ME7-000	001
04	DISK, CL FRICTION	22201-MC7-000	006
05	DISK A, CL FRICTION	22201-MG9-000	
	(replaces	22201-463-000)	001
06	DISK B, CL FRICTION	22202-463-000	001
07	PLATE A, CLUTCH	22321-371-010	
	(replaces	22321-463-000)	
	(replaces	22321-MG9-000)	006
08	PLATE B, CLUTCH	22322-463-000	001
09	PLATE, PRESSURE	22350-ME7-000	001
10	PLATE, CLUTCH LIFTER	22360-463-000	001
11	NUT, LOCK (20MM)	90204-426-000	001
12	WASHER, LOCK	90432-ME7-000	001
13	WASHER (25MM)	90453-ME2-000	001
14	BEARING (32X42X20)	91021-ME2-003	001
15	SPRING, CLUTCH	95014-75140	006
16	BOLT, FLANGE (6X25)	95701-06025-08	006
16	BOLT, FLANGE (6X25)	95720-06025-08	006
17	BEARING (6203)	96100-62030-00	001

Clutch Cover & Oil Filter



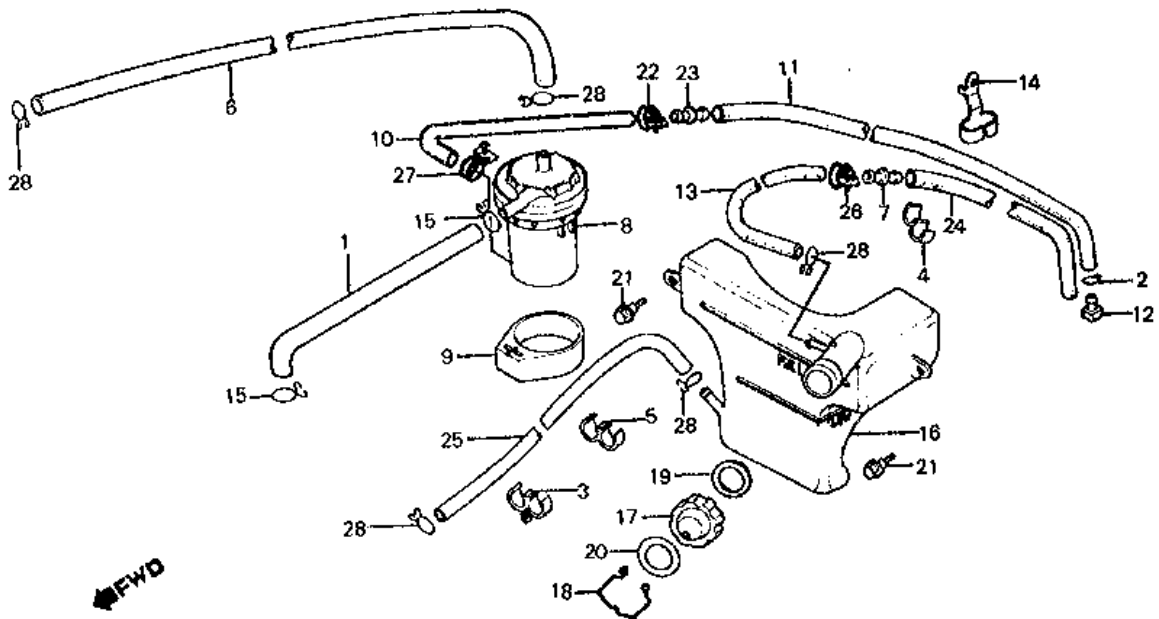
REF#	PART		#REQ
01	COVER, CLUTCH	11370-MC7-000	001
02	GASKET, CLUTCH COVER	11372-MC7-306	
	(replaces 11372-MC7-000)		001
03	ELEMENT, OIL FILTER	154A1-413-005	
	(replaces 154A1-MA6-000)		001
04	CASE, OIL FILTER	15411-MC7-000	001
05	SEAT	15414-300-000	001
06	SPRING	15415-413-000	001
07	BOLT	15420-MA6-000	
	(replaces 15420-415-000)		001
08	SHAFT, CLUTCH LEVER	22811-ME7-000	001
09	SPRING, CLUTCH LEVER	22815-413-000	001
10	ROD, CLUTCH LIFTER	22847-ME7-000	001
11	OIL SEAL (12X18X4)	91201-706-003	001
12	O-RING (15X2.5)	91302-377-000	001
13	O-RING (81X4.5)	91315-MA6-003	
	(replaces 91311-415-000)		001
14	CIRCLIP (10MM)	94510-10000	001
15	BOLT, FLANGE (6X28)	96001-06028-00	
	(replaces 96000-06028-00)		005
16	BOLT, FLANGE (6X35)	96001-06035-00	
	(replaces 96000-06035-00)		001

Control Levers & Switches & Cables



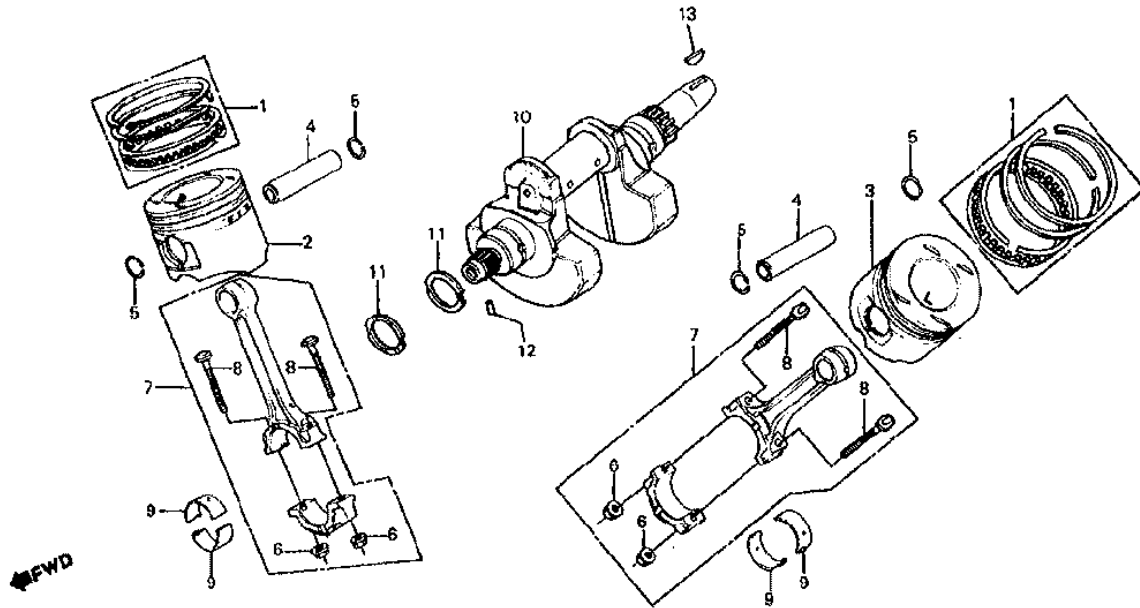
REF#	PART		#REQ
01	CABLE A, THROTTLE	17910-ME7-670	001
02	CABLE B, THROTTLE	17920-ME7-670	001
03	CABLE, CHOKE	17950-ME7-670	001
04	CABLE, CLUTCH	22870-ME7-670	001
05	BAND B1, CABLE	32161-404-000	004
06	SWITCH, STARTER STOP	35130-ME7-670	001
07	CLIP	35140-ME5-000	002
08	SWITCH, TURN SIGNAL	35200-ME7-670	001
09	SWITCH, FR. LEVER	35330-413-003	001
10	PIPE, THROTTLE GRIP	53141-300-010	001
11	GRIP, R. HANDLEBAR	53165-390-780	001
12	GRIP, L. HANDLEBAR	53166-390-780	001
13	BRACKET, L.	53172-MC7-003	001
14	LEVER, L. HANDLE	53178-461-000	001
	(replaces	53178-425-003)	001
15	BOOT, HANDLEBAR	53180-425-010	001
16	BOLT, CABLE ADJ.	53192-422-000	001
	(replaces	53192-425-000)	001
17	BOLT, L.	90113-422-000	001
18	NUT, FIXING	90321-422-000	001
19	SCREW-WASHER (5X20)	93891-05020-07	003
20	SCREW-WASHER (5X25)	93891-05025-07	001
21	NUT, HEX. (6MM)	94002-06000-05	001
22	BOLT, FLANGE (6X25)	96001-06025-07	001
	(replaces	96000-06025-07)	001

Coolant Reserve Tank & Breather Separator



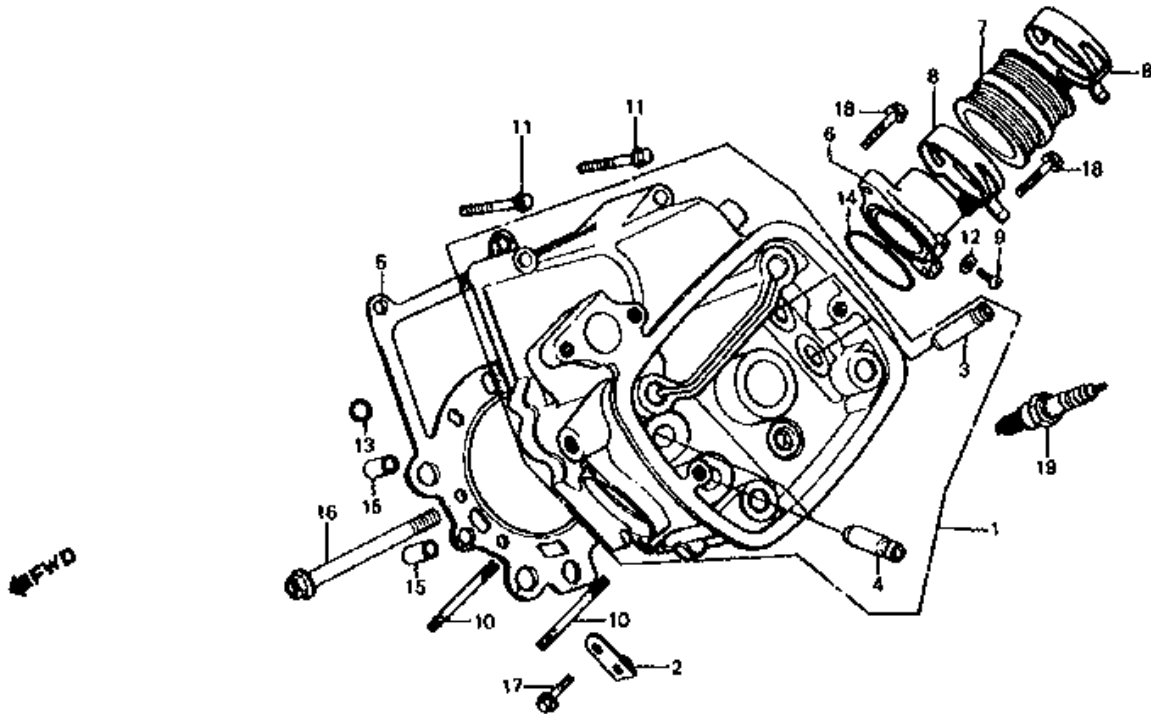
REF#	PART		#REQ
01	TUBE B, BREATHER	15761-MC7-000	001
02	CLIP, BREATHER TUBE	15772-292-010	001
03	CLIP C	17355-ME7-000	001
04	CLIP A	17357-MC7-000	001
05	CLIP B	17357-ME7-000	001
06	TUBE, BREATHER	17358-ME7-000	001
07	JOINT, BREATHER TUBE	17359-419-670	001
08	SEPARATOR, BREATHER	17360-ME7-000	001
09	BAND	17366-435-000	001
10	TUBE C, DRAIN	17367-MC7-000	001
11	TUBE B, DRAIN	17369-MC7-000	001
12	PLUG, BREATHER TUBE	17370-382-870	001
13	TUBE A, FUEL	17371-MC7-000	001
14	GUIDE, DRAIN TUBE	17375-ME7-000	001
15	CLIP, SUB-TANK HOSE	17724-102-700	002
16	TANK, RESERVE	19103-MA1-000	001
17	CAP, RESERVE TANK	19104-415-000	001
18	CABLE, CAP LOCK	19105-415-000	001
19	GASKET, RESERVE TANK	19106-415-000	001
20	LABEL, RESERVE TANK	87507-415-670	001
21	BOLT, FLANGE (6MM)	90111-162-000	002
22	CLIP, TUBE	91462-393-780	001
23	JOINT, TUBE	91463-393-780	001
24	BULK HOSE (7.5X8000)	95001-75008-60M	001
25	BULK HOSE (7.5X8000)	95001-75008-60M	001
26	CLIP, TUBE (A15)	95002-01150	001
27	CLIP, TUBE (A16)	95002-01160	001
28	CLIP, TUBE (B12)	95002-02120	005

Crankshaft & Pistons



REF#	PART		#REQ
01	RING SET (STD)	13011-ME2-004	
		(replaces 13011-ME7-004)	002
01	RING SET (OS 0.25)	13021-ME7-004	002
01	RING SET (OS 0.50)	13031-ME2-004	
		(replaces 13031-ME7-004)	002
02	PISTON, R. (STD)	13101-ME7-000	001
02	PISTON, R. (OS 0.25)	13103-ME7-000	001
02	PISTON, R. (OS 0.50)	13105-ME7-000	001
03	PISTON, L. (STD)	13102-ME7-000	001
03	PISTON, L. (OS 0.25)	13104-ME7-000	001
03	PISTON, L. (OS 0.50)	13106-ME7-000	001
04	PIN, PISTON	13111-MC7-000	002
05	CLIP (22MM)	13112-MC7-000	004
06	NUT, CONNECTING ROD	13205-ME2-000	004
07	ROD, CONNECTING	13210-ME7-000	002
08	BOLT, CONNECTING ROD	13213-ME2-000	004
09	BEARING A, CONN ROD	13216-ME7-003	004
09	BEARING B, CONN ROD	13217-ME7-003	004
09	BEARING C, CONN ROD	13218-ME7-003	004
10	CRANKSHAFT	13300-ME7-000	001
11	WASHER, CRANK SIDE	13326-ME2-003	002
12	PIN (3X5.2)	30905-216-000	001
13	KEY (25X18)	94401-25180	001

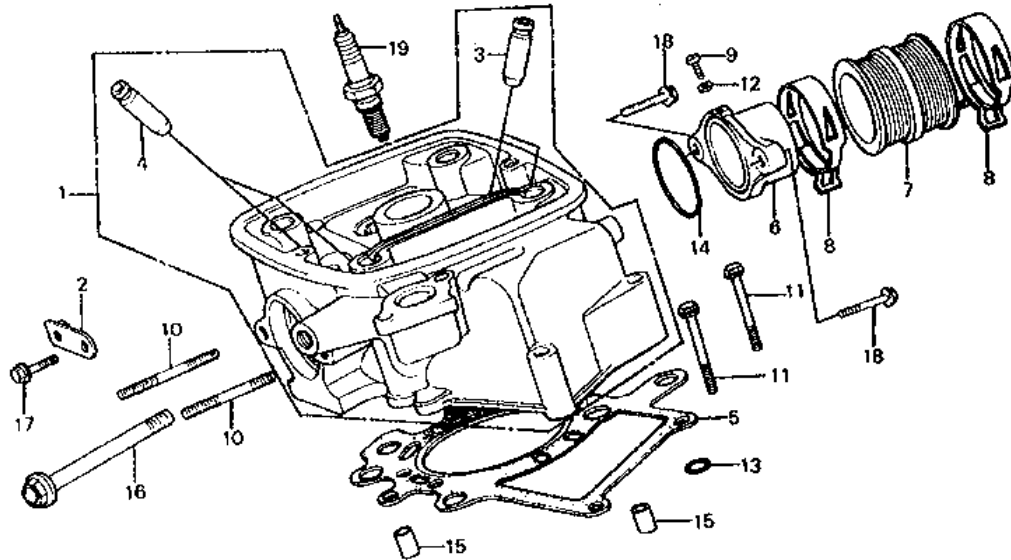
Cylinder Head, Left



REF#	PART		#REQ
01	CYLINDER HEAD, L.	12210-ME7-000	001
02	PLATE A	12213-ME7-000	001
03	GUIDE, IN VALVE	12233-MG8-405	
		(replaces 12231-MC7-305)	002
04	GUIDE, IN VALVE	12233-MG8-405	
		(replaces 12241-MA1-305)	002
05	GASKET, CYL HD	12251-ME2-405	
		(replaces 12251-ME2-000)	001
06	JOINT, L. IN.	17114-MC7-000	001
07	INSULATOR, IN.	17115-ME7-000	001
08	BAND, IN. MANIFOLD	17118-MC7-003	002
09	*90002-ZG3-000	90002-MC7-000	001
10	BOLT, STUD (8X43)	90062-MC7-000	002
11	BOLT, FLANGE (8X40)	90068-ME7-000	002
12	WASHER (5MM)	90452-323-000	001
13	O-RING (6.9X1.5)	91302-044-013	001
14	O-RING (40X2.4)	91325-413-830	
		(replaces 91325-567-005)	001
15	PIN, DOWEL (8X14)	94301-08140	002
16	BOLT, FLANGE (10X50)	95700-10050-00	001
16	BOLT, FLANGE (10X50)	95701-10050-00	001
17	BOLT, FLANGE (6X14)	96001-06014-00	
		(replaces 96000-06014-00)	001
18	BOLT, FLANGE (6X22)	96001-06022-00	
		(replaces 96000-06022-00)	002
19	S/PLG (DPR7EV-9)	98069-57912	001
19	S/PLG (DPR7EV-9)	98069-57912	
		(replaces 98069-57922)	001
19	S/PLG (DPR8EV-9)	98069-58912	001
19	S/PLG (DPR8EV-9)	98069-58912	
		(replaces 98069-58922)	001
19	S/PLG (DPR9EV-9)	98069-59912	001

19 S/PLG (DPR9EV-9) 98069-59912
(replaces 98069-59922) 001

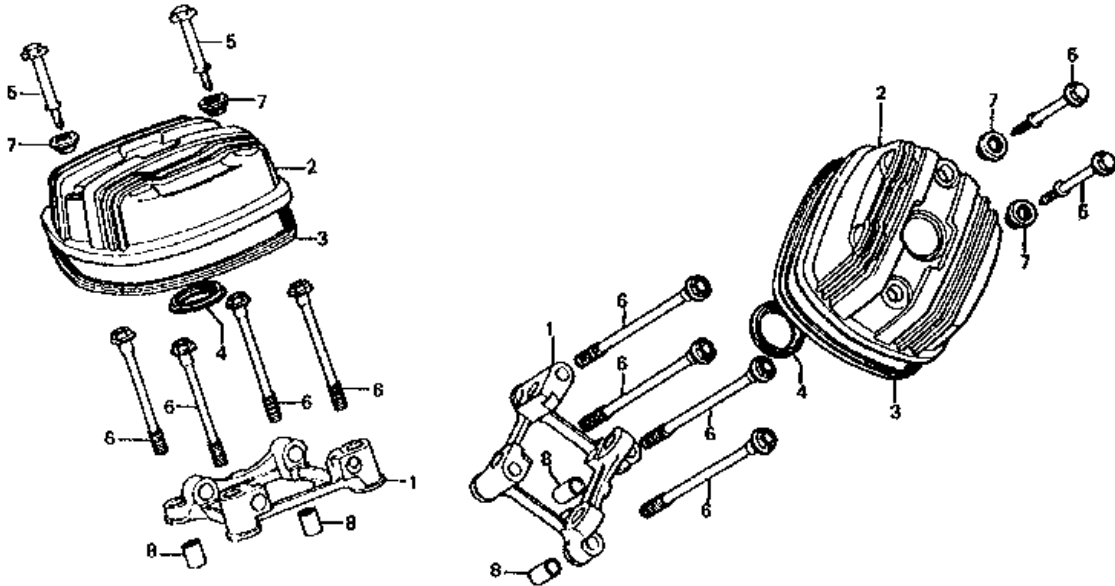
Cylinder Head, Right



←FWD

REF#	PART		#REQ
01	CYLINDER HEAD, R.	12200-ME7-000	001
02	PLATE A	12213-ME7-000	001
03	GUIDE, IN VALVE	12233-MG8-405	
04	GUIDE, IN VALVE	(replaces 12231-MC7-305)	002
05	GASKET, CYL HD	12241-MA1-305	002
06	JOINT, R. IN.	(replaces 12251-ME2-405)	001
07	INSULATOR, IN.	17113-MC7-000	001
08	BAND, IN. MANIFOLD	17115-ME7-000	001
09	*90002-ZG3-000	17118-MC7-003	002
10	BOLT, STUD (8X43)	90002-MC7-000	001
11	BOLT, FLANGE (8X40)	90062-MC7-000	002
12	WASHER (5MM)	90068-ME7-000	002
13	O-RING (6.9X1.5)	90452-323-000	001
14	O-RING (40X2.4)	91302-044-013	001
15	PIN, DOWEL (8X14)	(replaces 91325-413-830)	001
16	BOLT, FLANGE (10X50)	91325-567-005	001
16	BOLT, FLANGE (10X50)	94301-08140	002
17	BOLT, FLANGE (6X14)	95700-10050-00	001
18	BOLT, FLANGE (6X22)	95701-10050-00	001
19	S/PLG (DPR7EV-9)	96001-06014-00	001
19	S/PLG (DPR8EV-9)	(replaces 96000-06014-00)	001
19	S/PLG (DPR9EV-9)	96001-06022-00	002
19	S/PLG (DPR9EV-9)	(replaces 96000-06022-00)	002
19	S/PLG (DPR9EV-9)	98069-57912	
19	S/PLG (DPR9EV-9)	(replaces 98069-57922)	001
19	S/PLG (DPR9EV-9)	98069-58912	
19	S/PLG (DPR9EV-9)	(replaces 98069-58922)	001
19	S/PLG (DPR9EV-9)	98069-59912	
19	S/PLG (DPR9EV-9)	(replaces 98069-59922)	001

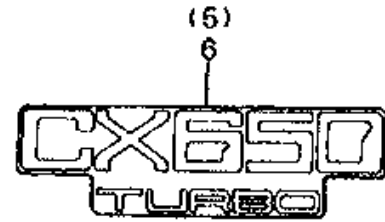
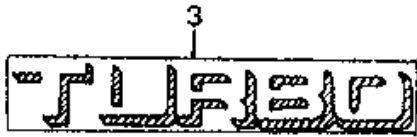
Cylinder Head Covers



FWD

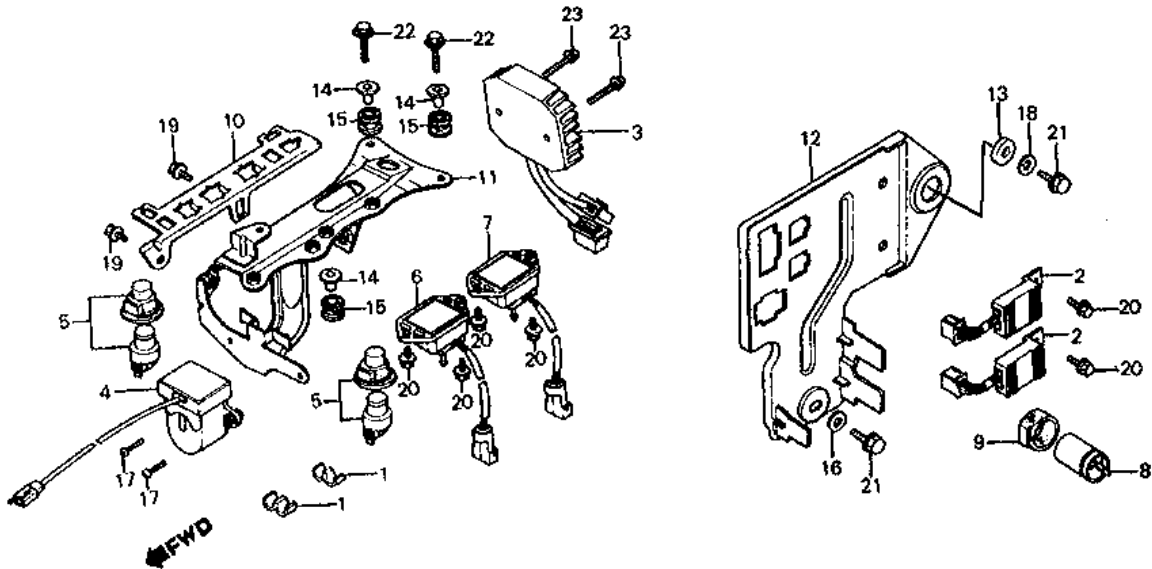
REF#	PART	PART NUMBER	#REQ
01	HOLDER	12215-ME7-000	002
02	COVER, CYLINDER HEAD	12311-MC7-000	002
03	GASKET, HEAD COVER	12328-415-000	002
04	GASKET, PLUG HOLE	12329-415-000	002
05	BOLT, SPECIAL (6X60)	90016-MC7-000	004
06	BOLT, FLG (12X150)	90021-415-000	008
07	RUBBER, SETTING	90541-371-000	004
08	PIN, DOWEL (14X20)	94301-14200	004

Decals



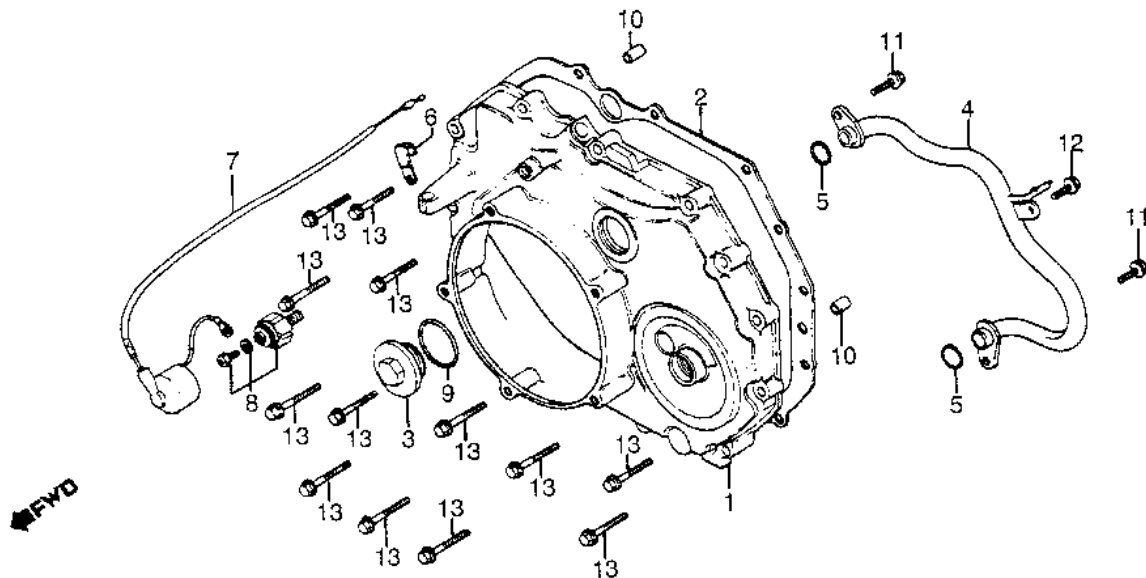
REF#	PART		#REQ
01	DECAL, R.	87121-MC7-300	001
02	DECAL, L.	87122-MC7-300	001
03	DECAL, FAIRING HOOD	87124-ME7-670	001
04	DECAL, RR. (TYPE2)	87125-ME7-300ZB	001
05	DECAL, R. SIDE COVER	87126-ME7-300	001
06	DECAL, L. SIDE COVER	87127-ME7-300	001

Electrical Plate & Modules



REF#	PART		#REQ
01	CLIP, SENSOR TUBE	16961-ME7-000	002
02	UNIT ASSY., SPARK	30400-ME7-155	002
03	RECTIFIER ASSY.	31600-MC7-008	001
04	SENSOR ASSY.	35160-MC7-003	001
05	RELAY, MAIN	36130-MC7-003	002
06	SENSOR 2, PRESSURE	36171-MC7-003	001
07	SENSOR	36181-MC7-003	
		(replaces 36181-ME7-003)	001
08	RELAY ASSY.,WINKE	38300-415-P00	
		(replaces 38300-415-004)	
		(replaces 38300-415-671)	
		(replaces 38301-415-004)	001
09	SUSPENSION	38306-KB4-010	
		(replaces 38306-438-000)	001
10	STAY, CONNECTOR	50326-ME7-000	001
11	STAY, ELECTRIC	50327-ME7-000	001
12	PLATE, ELECTRIC	50340-MA1-000	001
13	COLR, ELECTRIC PLATE	50341-MC5-000	001
14	COLLAR, FR. FENDER	61104-428-000	003
14	COLLAR, RR. FENDER	61105-428-000	003
15	RUBBER	84703-425-000	003
16	COLLAR, FR.	61107-KB5-000	
		(replaces 90121-102-000)	001
17	SCREW, PAN (4X18)	93500-04018-0A	002
18	WASHER, PLAIN (6MM)	94103-06000	001
19	BOLT, FLANGE (6X10)	95701-06010-00	
		(replaces 95700-06010-00)	002
20	BOLT, FLANGE (6X12)	95701-06012-00	
		(replaces 95700-06012-00)	006
21	BOLT, FLANGE (6X14)	95701-06014-00	
		(replaces 95700-06014-00)	002
22	BOLT, FLANGE (6X22)	95701-06022-00	
		(replaces 95700-06022-00)	003
23	BOLT, FLANGE (6X35)	95701-06035-00	
		(replaces 95700-06035-00)	002

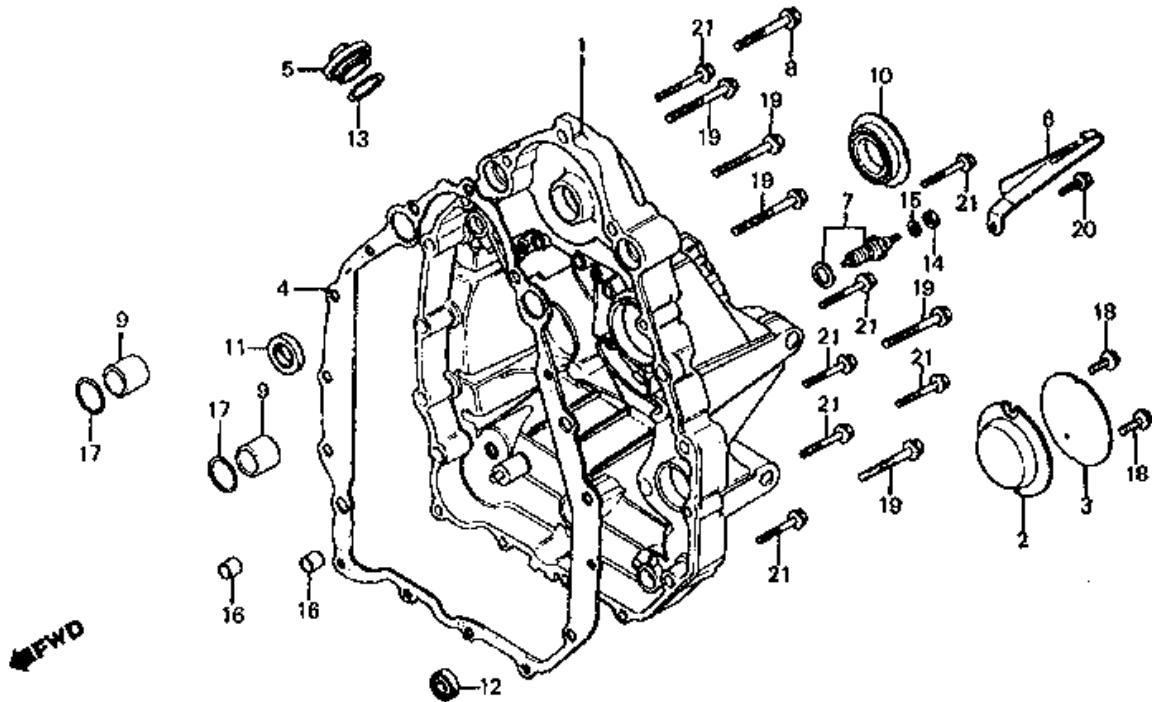
Engine Cover, Front (Transmission Cover)



Note: The exact image was not available. This image is from a 1983 GL650 and is very similar. The parts reference numbers match up although the physical appearance of the part may not match this image exactly.

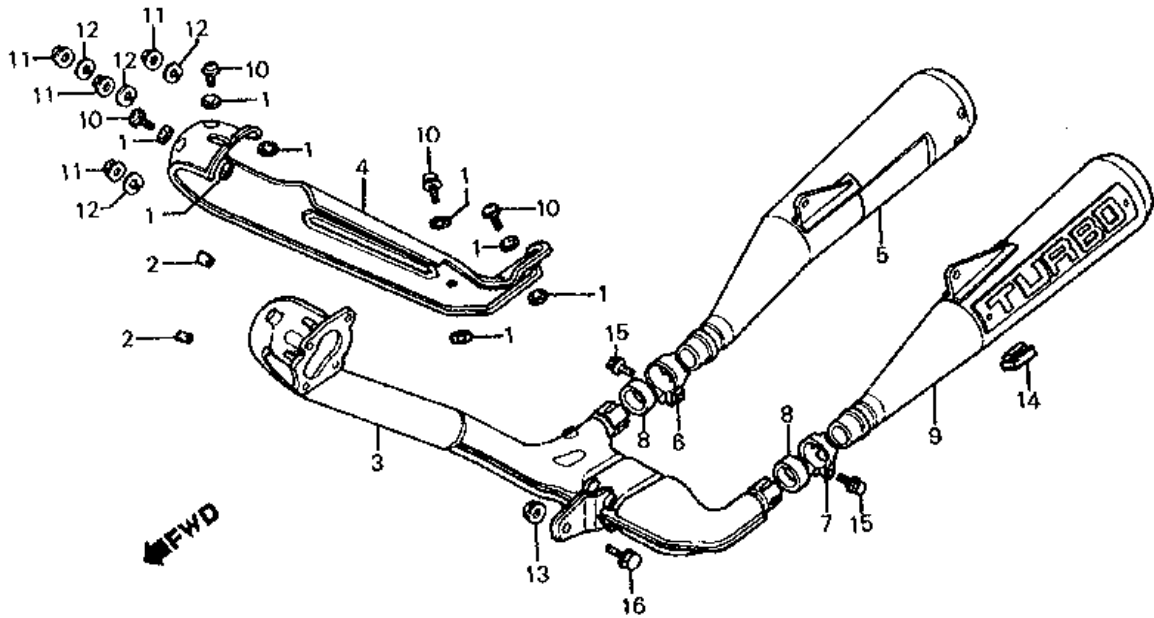
REF#	PART		#REQ
01	COVER, TRANSMISSION	11360-MC7-000	001
02	GASKET, TRANS CVR	11391-ME2-306	
		(replaces 11391-ME2-000)	001
03	CAP, VALVE ADJ.	12361-300-000	
		(replaces 12361-035-000)	
		(replaces 12361-371-980)	001
04	PIPE, OIL PASSAGE	15142-ME7-000	001
05	O-RING (11.8X2.4)	91302-ZE9-003	
		(replaces 16997-357-003)	
		(replaces 91302-ZE9-000)	
		(replaces 91320-HA5-000)	
		(replaces 91320-HA5-003)	002
05	O-RING (11.8X2.4)	91320-MJ6-003	002
06	CLAMP, CABLE	32111-MC7-000	001
07	CABLE B, ENGINE SUB	32117-MC7-000	001
08	SWITCH, OIL PRESSURE	35500-MJ4-024	
		(replaces 35500-MB9-004)	
		(replaces 35500-MJ0-004)	
		(replaces 35500-MJ4-004)	
		(replaces 35500-MJ4-014)	001
08	SWITCH, OIL PRESSURE	35500-MJ4-024	001
09	O-RING (30.8MM)	91302-001-020	001
10	PIN, DOWEL (8X14)	94301-08140	002
11	BOLT, FLANGE (6X14)	95701-06014-00	
		(replaces 95700-06014-00)	003
12	BOLT, FLANGE (6X28)	96001-06028-00	
		(replaces 96000-06028-00)	013

Engine Cover, Rear



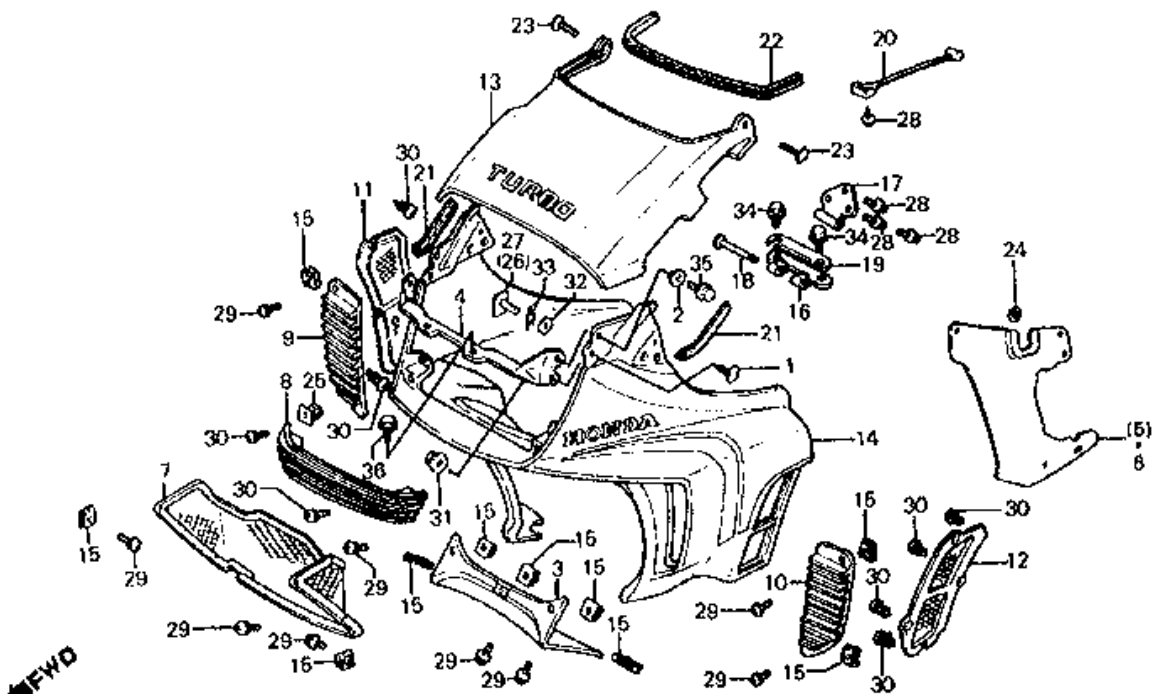
REF#	PART		#REQ
01	COVER, RR.	11310-ME7-000	001
02	PLATE, BREATHER	11311-ME7-000	001
03	PLATE	11313-ME7-000	001
04	GASKET, RR. COVER	11394-449-306	
	(replaces	11394-449-701)	001
05	CAP, VALVE ADJ.	12361-300-000	001
06	GUIDE, NEUTRAL CABLE	31140-415-000	001
07	SWITCH, NEUTRAL	35600-413-023	
	(replaces	35600-413-003)	
	(replaces	35600-413-013)	
08	BOLT, FLANGE (8X68)	90066-MC7-000	001
09	COLLAR (22.2MM)	90701-415-000	002
10	OIL SEAL (22X36X7)	91202-MC7-000	001
11	OIL SEAL (18X28X6)	91202-283-013	001
12	OIL SEAL (16X28X7)	91204-MC7-003	001
13	O-RING (30.8MM)	91302-001-020	001
14	NUT, HEX. (4MM)	94001-04000-0S	001
15	WASHER, SPRING (4MM)	94111-04800	001
16	PIN, DOWEL (10X16)	94301-10160	002
17	O-RING (23X2.8)	94608-50000	002
18	BOLT, FLANGE (6X12)	95701-06012-00	
	(replaces	95700-06012-00)	002
19	BOLT, FLANGE (8X40)	95701-08040-00	
	(replaces	95700-08040-00)	005
20	BOLT, FLANGE (6X14)	96001-06014-00	
	(replaces	96000-06014-00)	001
21	BOLT, FLANGE (6X32)	96001-06032-00	
	(replaces	96000-06032-00)	007

Exhaust System



REF#	PART		#REQ
01	GASKET, PROTECTOR	18292-MM9-740	
		(replaces 18292-415-000)	
		(replaces 18292-KF9-900)	010
02	RUBBER	18293-147-000	002
03	PIPE, EX.	18320-ME7-000	001
04	PROTECTOR, EX. PIPE	18325-ME7-010	
		(replaces 18325-ME7-000)	001
05	MUFFLER SUB-ASSY.	18335-ME7-007	
		(replaces 18335-ME7-000)	001
06	BAND, R. RR. MUFFLER	18375-MG7-000	
		(replaces 18375-MC7-000)	001
07	BAND, L. RR. MUFFLER	18376-MG7-000	
		(replaces 18376-MC7-000)	001
08	GASKET, RR. MUFFLER	18392-MG7-750	
		(replaces 18392-413-000)	002
09	MUFFLER SUB-ASSY.	18435-ME7-007	
		(replaces 18435-ME7-000)	001
10	SCREW-WASHER (6X12)	90136-MC7-000	005
11	NUT, SPECIAL (8MM)	90217-657-000	004
12	WASHER, SPRING (8MM)	90406-MC7-003	004
13	NUT, FLANGE (8MM)	94050-08080	001
14	RUBBER D	95011-64000	001
15	BOLT, FLANGE (8X40)	95701-08040-00	
		(replaces 95700-08040-00)	002
16	BOLT, FLANGE (8X40)	95701-08040-08	
		(replaces 95700-08040-08)	001

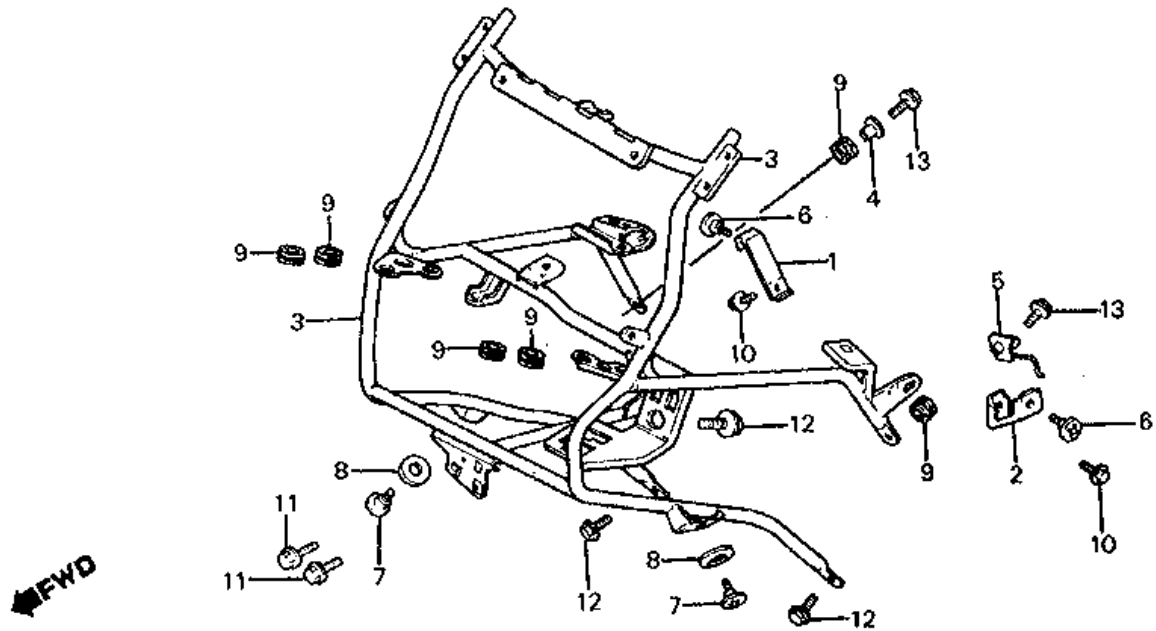
Fairing



REF#	PART		#REQ
01	BOLT	54115-634-980	002
02	COLLAR, WINDSCREEN	64106-MC7-000	002
03	COVER *NH121PA*	64214-ME7-000ZA	001
04	BRACKET, FAIRING	64215-ME7-000	001
05	PROTECTOR, R. FR.	64216-ME7-000	001
06	PROTECTOR, L. FR.	64217-ME7-000	001
07	GRILLE, RADIATOR	64230-MC7-000	001
08	GRILLE, FR. FAIRING	64233-MC7-000	001
09	GRL, R. FAIRING SIDE	64234-MC7-010	001
10	GRL, L. FAIRING SIDE	64235-MC7-010	001
11	INNER, R.	64236-ME7-000	001
12	INNER, L.	64237-ME7-000	001
13	HOOD SUB *NH121PA*	64270-ME7-670ZA	001
14	BODY SUB *NH121PA*	64280-ME7-000ZB	001
15	NUT, CLIP (4MM)	64521-MC7-000	013
15	NUT, CLIP (4MM)	64527-ML7-000	013
16	HINGE A, HOOD	64522-ME7-000	001
17	HINGE B, HOOD	64523-ME7-000	001
18	PIN, HOOD HINGE	64524-MC7-000	001
19	SHIM, HOOD HINGE	64525-ME7-000	001
20	STOPPER	64528-ME7-000	001
21	RUBBER, FAIRING SEAL	64531-MC7-000	002
22	RUB, TOP COVER SEAL	64533-ME7-000	001
23	BOLT, SPECIAL (6X16)	90147-KR1-760	
	(replaces	90111-ME7-000)	002
24	NUT, SPEED (4.8MM)	90313-ME7-003	010
25	NUT, NYLON (3MM)	90651-692-731	002
26	CLIP, R.	90652-ME7-000	001
27	CLIP, L.	90653-ME7-000	001
28	SCREW-WASHER (4X8)	93893-04008-00	004
29	SCREW-WASHER (4X12)	93893-04012-07	013
30	SCREW, TAP (4X12)	93903-24380	010
31	NUT, FLANGE (6MM)	94050-06080	002

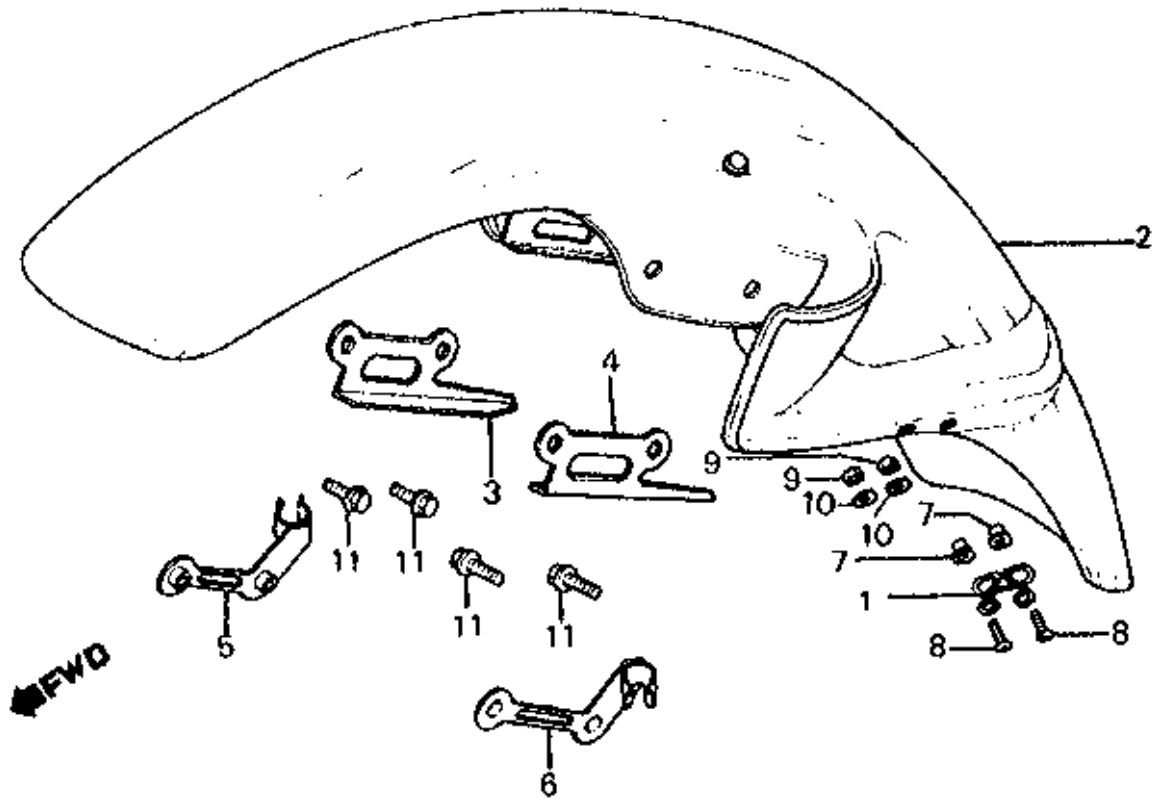
32	WASHER, PLAIN (8MM)	94101-08000	002
33	PIN, LOCK (8MM)	94251-08000	002
34	BOLT, FLANGE (6X10)	95701-06010-00	
		(replaces 95700-06010-00)	002
35	BOLT, FLANGE (6X12)	95700-06012-08	002
35	BOLT, FLANGE (6X12)	95701-06012-08	002
36	BOLT, FLANGE (6X16)	95701-06016-00	
		(replaces 95700-06016-00)	002

Fairing Stay



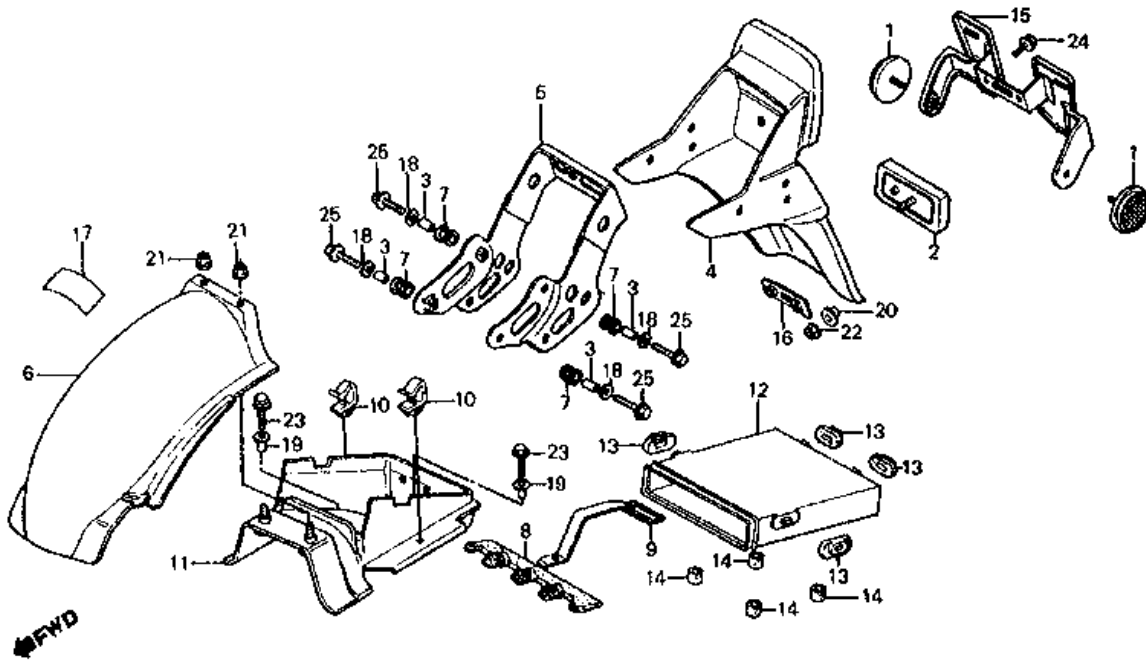
REF#	PART		#REQ
01	STAY, R.	64251-MC7-000	001
02	STAY, L.	64252-MC7-000	001
03	STAY, FAIRING	64501-ME7-000	001
04	COLLAR A	64530-ME7-000	001
05	COLLAR B	64534-ME7-000	001
06	SCREW	90112-MC7-000	002
07	SCREW, FR.	90112-ME7-000	002
08	WASHER	90599-ME7-010	
	(replaces	90599-ME7-000)	002
09	GROM, FAIRING STAY	90852-ME7-000	006
10	BOLT, FLANGE (6X10)	95701-06010-00	
	(replaces	95700-06010-00)	002
11	BOLT, FLANGE (6X10)	95701-06010-07	
	(replaces	95700-06010-07)	002
12	BOLT, FLANGE (8X12)	95701-08012-00	
	(replaces	95700-08012-00)	002
13	BOLT, FLANGE (8X20)	95700-08020-00	004
13	BOLT, FLANGE (8X20)	95701-08020-00	004

Fender, Front



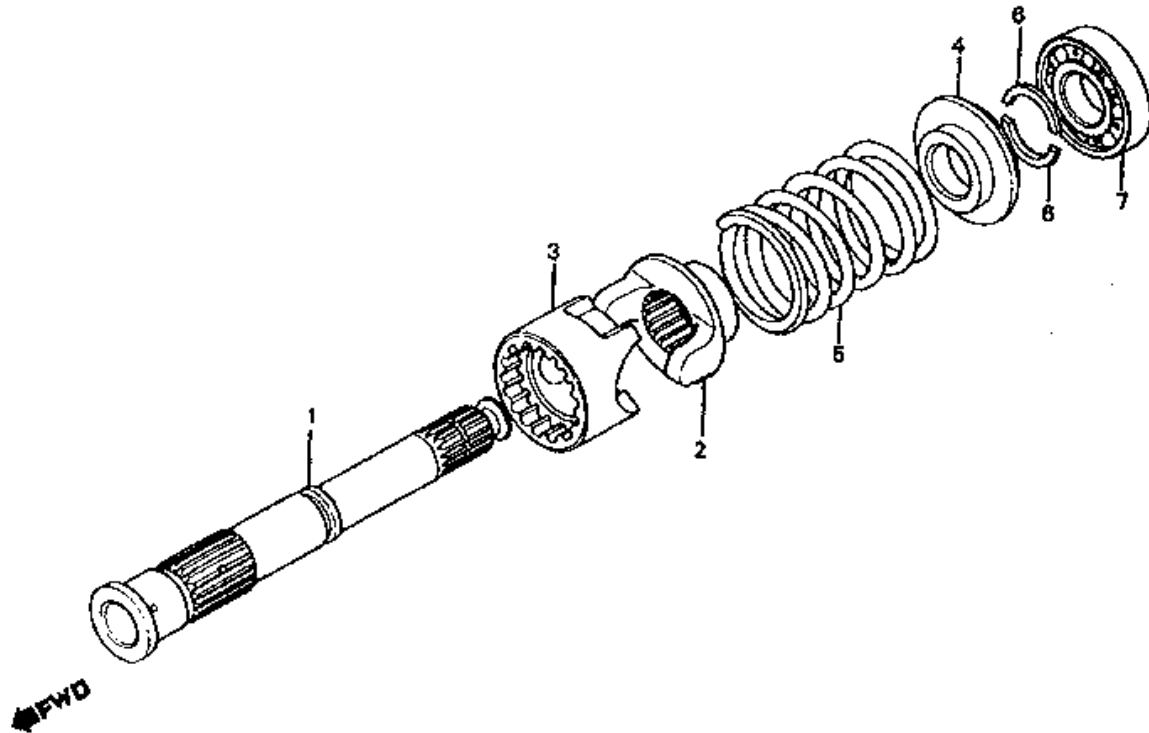
REF#	PART		#REQ
01	GUIDE	44832-MC7-000	001
02	FDR, FR. *NH121PA*	61100-ME7-000ZA	001
03	GUIDE, R. FR.	61102-ME7-000	001
04	GUIDE, L. FR.	61103-ME7-000	001
05	CLAMP, R. FR.	61108-ME7-000	001
06	CLAMP, L. FR.	61109-ME7-000	001
07	COLLAR, RR. FENDER	80114-MC7-000	002
08	SCREW, PAN (5X16)	93500-05016-0B	002
09	NUT, HEX. (5MM)	94001-05080-0S	002
10	WASHER, PLAIN (5MM)	94101-05800	002
11	BOLT, FLANGE (6X16)	95701-06016-08	
	(replaces 95700-06016-08)		004

Fender, Rear



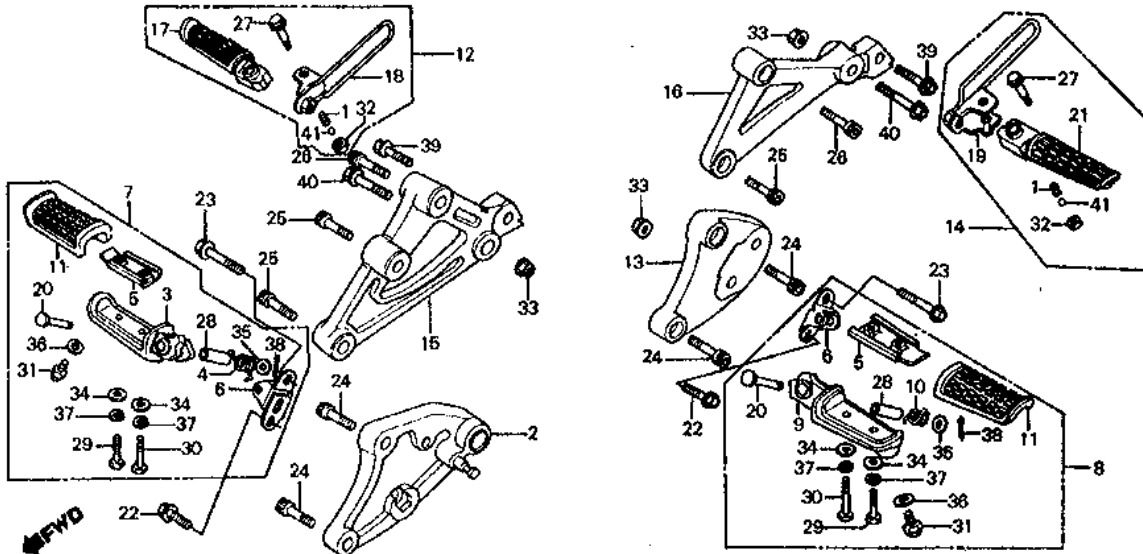
REF#	PART		#REQ
01	REFLECTOR, RR.	33741-HB9-641	002
		(replaces 33741-148-871)	002
		(replaces 33741-148-872)	002
02	REFLECTOR, RR.	33741-415-602	001
		(replaces 33741-415-601)	001
03	COLLAR, SEAT LOCK	77112-397-770	004
04	FENDER A, RR.	80100-ME7-000	001
05	PLATE, TAILLIGHT	80101-MC7-000	001
06	FENDER B, RR.	80105-MC7-010	001
		(replaces 80105-MC7-000)	001
07	RUBBER B, RR. FENDER	80106-028-010	004
08	RUBBER	80108-MC7-000	001
09	PLATE	80109-ME7-000	001
10	CLAMP, CABLE	80110-147-000	002
11	BOX	80205-ME7-000	001
12	SUB-BOX	80206-ME7-000	001
13	RUBBER A	80208-ME7-000	004
14	RUBBER B	80209-ME7-000	004
15	BRKT, NUMBER PLATE	84701-MC7-670	001
16	PLATE	84702-MA1-000	001
17	DIAGRAM	87135-ME7-670	001
18	WASHER	90504-124-000	004
19	COLLAR	90522-170-700	002
20	WASHER B	90554-240-000	001
21	NUT, FLANGE (6MM)	94050-06000	002
22	NUT, FLANGE (6MM)	94050-06080	001
23	BOLT, FLANGE (6X12)	95700-06012-08	002
23	BOLT, FLANGE (6X12)	95701-06012-08	002
24	BOLT, FLANGE (6X14)	95701-06014-00	002
		(replaces 95700-06014-00)	002
25	BOLT, FLANGE (6X25)	95700-06025-08	004
25	BOLT, FLANGE (6X25)	95701-06025-08	004

Final Shaft



REF#	PART		#REQ
01	SHAFT, FINAL	23521-MG0-000	001
02	LIFTER, DAMPER	23721-MA1-000	001
03	CAM, DAMPER	23722-MC7-000	001
04	STOPPER	23731-371-000	001
05	SPRING, DAMPER	23732-MA1-000	001
06	WASHER	23733-371-000	002
07	BEARING (62/22)	91002-PL0-018	
		(replaces 91002-PL0-008)	
		(replaces 91005-634-004)	
		(replaces 91005-634-008)	
		(replaces 91005-657-003)	
		(replaces 91005-657-004)	
		(replaces 91005-657-008)	001

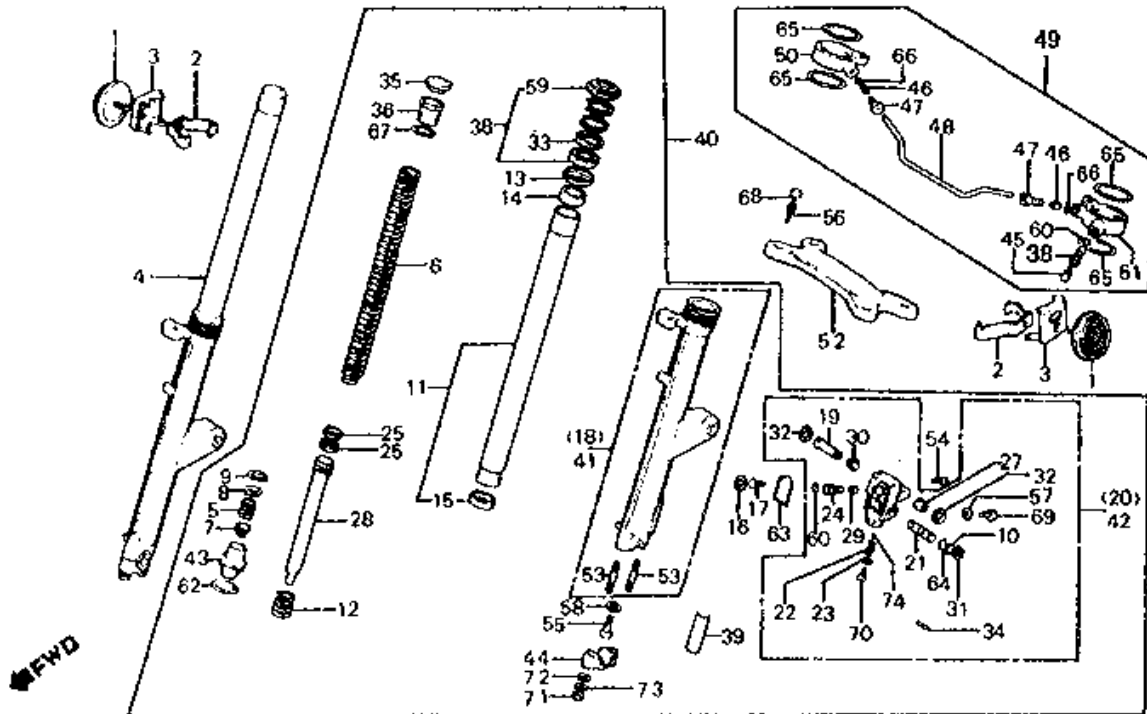
Footpegs



REF#	PART		#REQ
01	SPRING	28333-300-000	002
02	HOLDER, R. FOOTPEG	50601-MC7-000	001
03	ARM, R. FOOTPEG	50612-445-840	001
04	SPRING, R.	50617-445-840	001
05	PLATE	50619-MC7-000	
		(replaces 50619-ME7-000)	002
06	BRACKET, L. FOOTPEG	50628-445-840	
		(replaces 50628-ME7-000)	002
07	FOOTPEG, R. MAIN	50630-ME7-000	001
08	FOOTPEG, L. MAIN	50640-ME7-000	001
09	ARM, L. FOOTPEG	50642-445-840	001
10	SPRING, L.	50644-445-840	001
11	RUBBER, FOOTPEG	50661-425-700	002
12	FOOTPEG, R. PILLION	50700-MC7-000	001
13	HOLDER, L. FOOTPEG	50701-MC7-000	001
14	FOOTPEG, L. PILLION	50705-MC7-000	001
15	BRACKET, R.	50711-MC7-000	001
16	BRACKET, L.	50712-MC7-000	001
17	ARM, R.	50714-MC7-000	001
18	BRACKET, R.	50715-MC7-000	001
19	BRACKET, L.	50716-MC7-000	001
20	PIN	50716-438-000	002
21	ARM, L.	50717-MC7-000	001
22	BOLT (8X22)	90100-438-850	002
23	BOLT (8X35)	90107-ME7-000	002
24	BOLT, SOCKET (8X27)	90116-383-721	
		(replaces 90116-283-000)	
		(replaces 90116-283-010)	
		(replaces 90116-MC7-000)	004
25	BOLT, SOCKET (8X40)	90117-MC7-000	003
26	BOLT, SOCKET (8X45)	90125-MC7-000	002
27	BOLT, PILLION STEP	90187-MC7-000	002
28	COLR, FOOTPEG PIVOT	90501-445-840	002
29	BOLT, HEX. (5X25)	92101-05025-0A	
		(replaces 92000-05025-0A)	002
29	BOLT, HEX. (5X25)	92101-05025-0A	002
30	BOLT, HEX. (5X28)	92000-05028-0A	002
30	BOLT, HEX. (5X28)	92101-05028-0A	002

31	BOLT, CAP (8X12)	92501-08012-0A	
	(replaces	92500-08012-0A)	002
31	BOLT, CAP (8X12)	92501-08012-0A	002
32	NUT, HEX. (6MM)	94001-06020-0S	002
33	NUT, FLANGE (10MM)	94050-10080	002
34	WASHER, PLAIN (5MM)	94101-05000	004
35	WASHER, PLAIN (8MM)	94101-08000	002
36	WASHER, PLAIN (8MM)	94102-08000	002
37	WASHER, SPRING (5MM)	94111-05000	004
38	PIN, COTTER (1.6X25)	94201-16250	
	(replaces	94201-16150)	002
38	PIN, COTTER (1.6X25)	94201-16250	002
39	BOLT, FLANGE (8X28)	95701-08028-00	
	(replaces	95700-08028-00)	002
39	BOLT, FLANGE (8X28)	95701-08028-00	002
40	BOLT, FLANGE (10X40)	95700-10040-00	002
40	BOLT, FLANGE (10X40)	95701-10040-00	002
41	BALL (#8) (1/4)	96211-08000	002

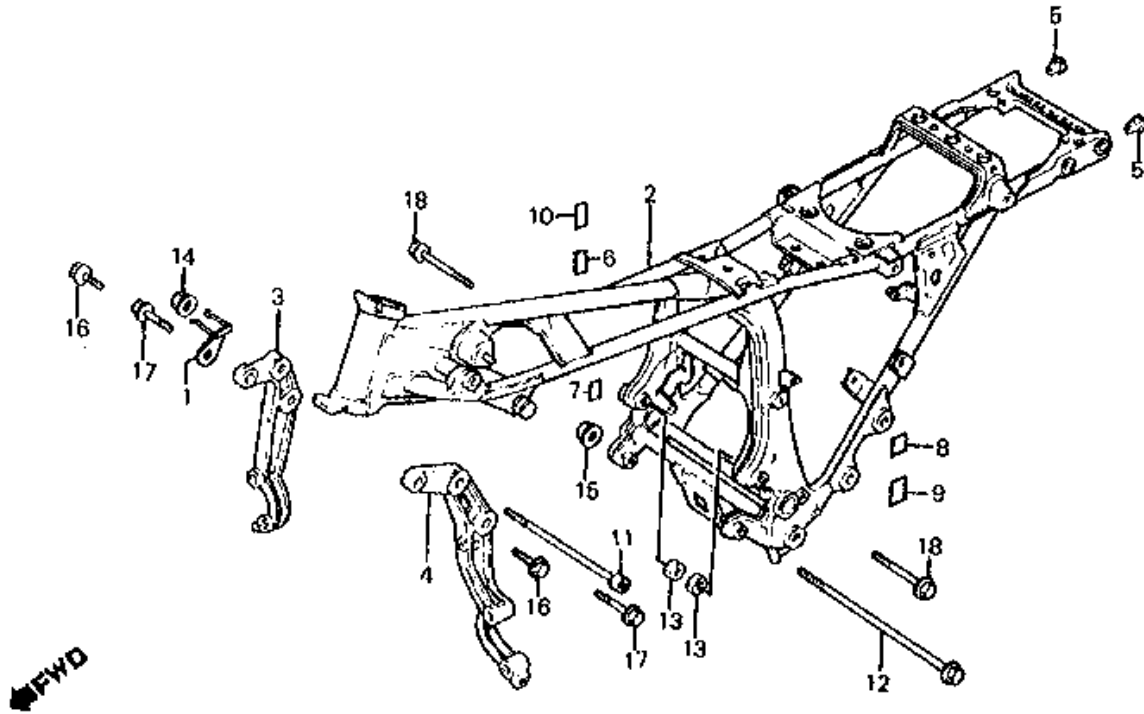
Forks



REF#	PART		#REQ
01	REFLECTOR, FR.	33742-HB9-641	
		(replaces 33741-413-003)	
		(replaces 33741-413-013)	002
02	STAY A, FR.	33751-ME7-670	002
03	STAY B, FR.	33752-ME7-670	002
04	S/ABS ASSY., R. FR.	51400-ME7-672	001
05	SPRING B, FR. FORK	51402-MA6-003	002
06	SPRING, FR. FORK	51402-ME7-003	002
07	VALVE, OIL LOCK	51403-MA6-003	002
08	SEAT, SPRING	51405-MA6-003	002
09	RING, STOPPER	51405-MC7-003	004
10	RING, STOPPER	51406-MB1-771	002
11	PIPE, FR. FORK	51410-ME7-003	002
12	SPRING, FR.	51412-ME1-671	002
13	RING, BACK-UP	51412-461-003	002
14	BUSH, GUIDE	51414-MN4-003	
		(replaces 51414-461-003)	002
15	BUSH, SLIDER	51415-MC5-013	
		(replaces 51415-MC5-003)	002
16	GASKET	51417-MJ0-013	
		(replaces 51417-ME1-671)	002
17	SPRING, PISTON	51418-ME1-671	002
18	CASE, R. (LOWER)	51421-ME7-671	001
19	COLLAR, PISTON	51423-MB1-771	002
20	CASE, R. PISTON	51430-ME7-671	001
21	ROD, ADJUSTER	51433-MB1-771	002
22	SPRING, CLICK	51434-MC7-003	002
23	WASHER (5MM)	51435-MC7-003	002
24	PISTON	51436-MB1-771	002
25	RING, PISTON	51437-MA0-771	004
28	PIPE, SEAT	51440-ME7-003	002
29	RUBBER, STOPPER	51441-MC7-003	002

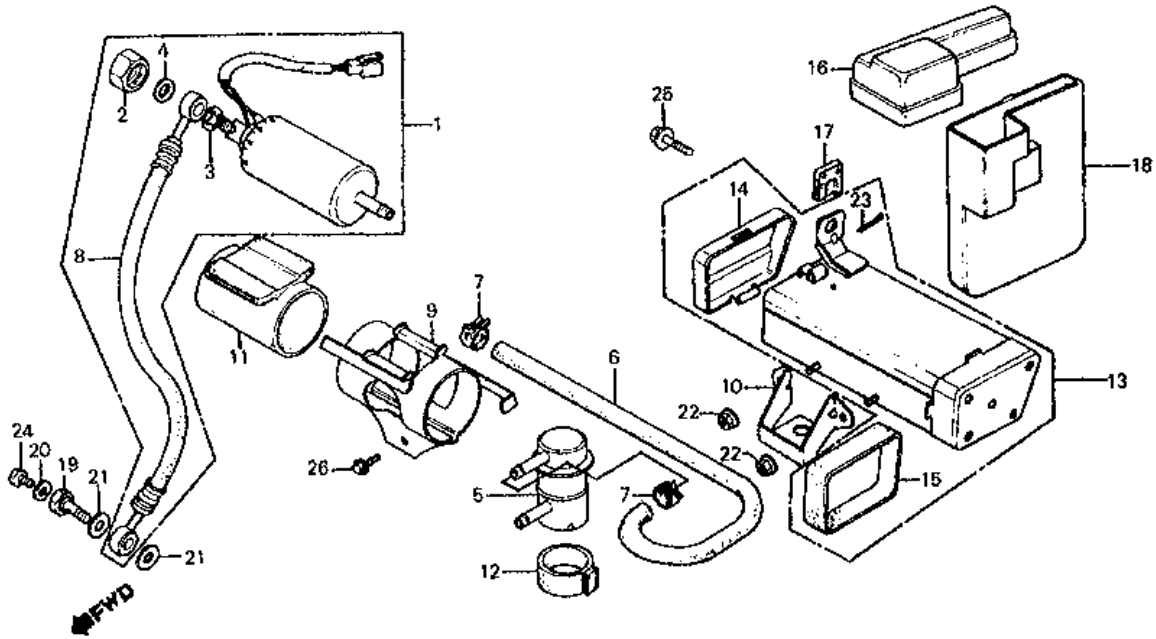
30	BOOT, PISTON CASE	51442-MC7-003	004
31	WASHER, L. SIDE	51444-MB1-771	002
32	HOLDER, BOOT	51445-MC7-003	004
33	CIRCLIP (50MM)	51447-461-003	002
34	PIN, PARALLEL	51448-MB1-771	002
35	CAP, FR. FORK TOP	51449-371-003	002
36	BOLT, FR. FORK	51454-371-003	002
37	VALVE, AIR	51456-469-013	001
38	SEAL SET, FR. FORK	51490-KAZ-003	
		(replaces 51490-MC5-305)	
		(replaces 51490-MC5-315)	002
39	MARK, FR. FORK	51496-MC7-670	002
40	S/ABS ASSY., L. FR.	51500-ME7-672	001
41	CASE, L. (LOWER)	51521-ME7-671	001
42	CASE, L. PISTON	51530-ME7-671	001
43	PIECE B, OIL LOCK	51532-MB1-771	002
44	HOLDER, AXLE	51634-ME7-671	002
45	CAP, AIR VALVE	52425-381-771	001
46	SLEEVE	53134-MG5-671	002
47	BOLT, HEX.	53135-MG5-671	002
48	PIPE, AIR	53136-ME7-003	001
49	EQUALIZER, FR. FORK	53137-ME7-003	001
50	JOINT, R. AIR	53138-ME7-003	001
51	JOINT, L. AIR	53139-ME7-003	001
52	STABILIZER, FR. FORK	53240-MG5-670	001
53	BOLT, STUD (8X53)	90102-MC7-003	004
54	BOLT, SOCKET (6X18)	96700-06018-17	
		(replaces 90116-MC7-003)	
		(replaces 90118-MC7-003)	008
55	BOLT, SOCKET (8X27)	90116-383-721	
		(replaces 90116-283-000)	002
		(replaces 90116-283-010)	002
56	BOLT, SOCKET (8X17)	90153-MB0-405	
		(replaces 90153-MB0-000)	004
57	GASKET, FR.	90543-273-000	002
58	WASHER (8MM)	90544-283-000	002
59	DUST SEAL	91254-KAZ-003	
		(replaces 91254-461-003)	
		(replaces 91254-461-004)	002
60	O-RING (5.8X1.9)	91305-323-000	
		(replaces 91301-469-003)	003
60	O-RING (5.6X1.9)	91318-ME5-003	003
61	O-RING E (33.5X2)	91306-MC7-003	002
62	O-RING (14.6X3.7)	91309-MB0-003	002
63	O-RING (6.8X1.9)	91306-PJ4-000	
		(replaces 91310-MC7-003)	002
64	O-RING	91352-ME7-003	004
65	O-RING	91353-MG5-671	002
66	O-RING (29X2.4)	91344-PC9-004	
		(replaces 91356-371-000)	002
67	CAP, SOCKET BOLT	91456-371-770	004
68	BOLT, HEX. (6X8)	92101-06008-0A	002
69	SCREW, PAN (5X10)	93500-05010-0A	
		(replaces 93500-05010-1A)	
		(replaces 93510-05010-0A)	002
70	NUT, HEX. (8MM)	94030-08000	004
71	WASHER, PLAIN (8MM)	94101-08000	004
72	WASHER, SPRING (8MM)	94111-08000	004
73	BALL (#5) (5/32)	96211-05000	002

Frame



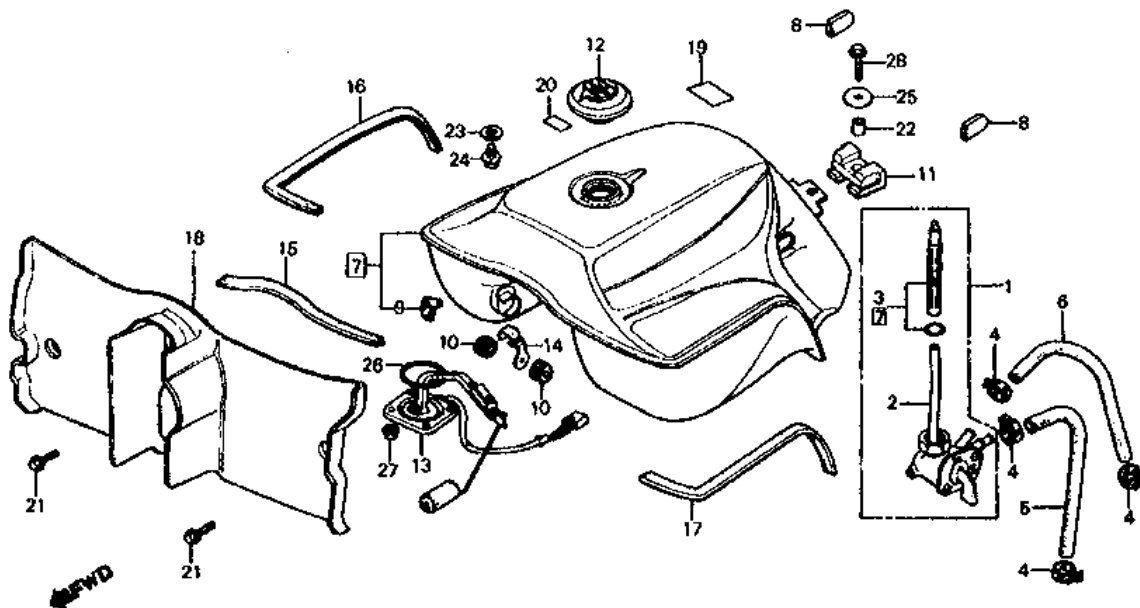
REF#	PART		#REQ
01	CLIP B	17356-ME7-000	001
02	FRAME *NH1*	50100-ME7-000ZA	001
03	BRKT, R. FR. ENG HGR	50311-ME7-000	001
04	BRKT, L. FR. ENG HGR	50321-ME7-000	001
05	CAP, PIPE (UPPER)	84105-MC7-000	002
06	LABEL	87504-028-670	001
07	LABEL, TIRE CAUTION	87505-ME7-670	001
08	LABEL	87506-MC7-610	001
09	LABEL	87508-MA1-770	001
10	LABEL, RR.	87518-ME7-670	001
11	BOLT, HEX. (10X212)	90109-MC7-000	001
12	BOLT, FLG (12X308)	90110-415-000	001
13	NUT, HEX. (10MM)	94030-10000	002
14	NUT, FLANGE (10MM)	94050-10080	001
15	NUT, FLANGE (12MM)	94050-12000	001
16	BOLT, FLANGE (10X20)	95701-10020-00	
	(replaces	95700-10020-00)	002
17	BOLT, FLANGE (10X40)	95801-10040-08	
	(replaces	95800-10040-08)	002
18	BOLT, FLANGE (10X70)	95801-10070-00	
	(replaces	95800-10070-00)	002

Fuel Pump & Tool Box



REF#	PART		#REQ
01	PUMP ASSY., FUEL	16700-ME7-000	001
02	NUT, PUMP HEX.	16701-MC7-003	001
03	WASHER, PUMP	16702-MC7-003	001
04	GASKET, MUFFLER	16705-PD1-003	
	(replaces	16703-MC7-003)	001
05	FILTER ASSY., FUEL	16910-MC7-003	001
06	HOSE, FUEL	16966-MC7-000	001
07	CLIP B, FUEL HOSE	16968-MC7-000	002
08	HOSE ASSY., FUEL	17965-ME7-000	001
09	BAND, FUEL PUMP	50328-MC7-000	001
10	STAY	50329-MC7-000	001
11	RUB, FUEL PUMP BAND	50331-MC7-000	001
12	RUBBER, FILTER BAND	50333-MC7-000	001
13	BOX ASSY., TOOL	89501-ME7-000	001
14	CAP, TOOL BOX	89503-ME7-000	001
15	RUB, TOOL BOX BAND	89504-MC7-000	001
16	CAP, OWNER'S MANUAL	89506-MC7-000	001
17	RUBBER	89507-MC7-000	001
18	CASE, OWNER'S MANUAL	89508-MC7-000	001
19	BOLT, FUEL HOSE	90196-MC7-000	001
20	WASHER (12MM)	90461-357-000	001
21	WASHER, FUEL BOLT	90496-MC7-000	002
22	NUT, FLANGE (6MM)	94050-06080	002
23	PIN, COTTER (2.0X35)	94201-20350	
	(replaces	94201-20250)	
	(replaces	94201-20280)	
	(replaces	94201-20320)	001
24	BOLT, FLANGE (6X10)	95701-06010-00	
	(replaces	95700-06010-00)	001
25	BOLT, FLANGE (6X12)	95701-06012-00	
	(replaces	95700-06012-00)	001
26	BOLT, FLANGE (6X20)	95701-06020-00	
	(replaces	95700-06020-00)	001

Fuel Tank & Petcock



REF#	PART		#REQ
01	PETCOCK ASSY.	16950-MC7-005	001
02	BODY, PETCOCK	16951-MC7-005	001
03	SCREEN SET	16952-MC7-005	001
04	CLIP, FUEL HOSE	16969-MC7-000	004
05	HOSE A, FUEL	16970-MC7-000	001
06	HOSE C, FUEL	16971-MC7-000	001
07	TANK, FUEL *NH121PA*	175A1-ME7-010ZA	001
08	RUBBER, SEAT SETTING	17512-MC5-000	002
09	PLATE, RUBBER	17521-ME7-300	002
10	RUB, FR. FUEL TANK	17611-KE8-000	
	(replaces	17611-286-000)	002
11	RUB, RR. FUEL TANK	17613-MC7-000	001
12	CAP, FUEL FILLER	17620-MC7-003	001
13	FUEL UNIT	37800-MC7-008	001
14	CLIP, THROTTLE CABLE	50732-MC7-000	001
15	SEAL RUBBER, FR.	64200-MC7-000	001
16	RUBBER, R.	64225-MC7-000	001
17	RUBBER, L.	64227-MC7-000	001
18	APRON, FUEL TANK	64229-MC7-000	001
19	MARK (TYPEB)	87560-181-760ZE	
	(replaces	87560-181-760)	001
19	LABEL *NH1*	87560-181-760ZD	001
20	LABEL, FUEL CAUTION	87562-MC7-670	001
21	BOLT, FLANGE (6MM)	90111-187-000	002
22	COLLAR (8MM)	90324-300-000	001
23	WASHER, DRAIN (12MM)	94109-12000	
	(replaces	90407-231-000)	001
23	GASKET (12.5X20)	90407-259-000	001
23	WASHER, DRAIN (12MM)	94109-12000	001
24	BOLT, FLANGE (12X15)	90473-461-000	001
25	WASHER (8.3MM)	90534-011-000	001
26	O-RING (39.5X5)	91305-MC7-000	001
27	NUT, FLANGE (6MM)	94050-06080	004
28	BOLT, FLANGE (8X25)	95701-08025-08	
	(replaces	95700-08025-08)	001

Gasket Kit A

(Image Not Available)

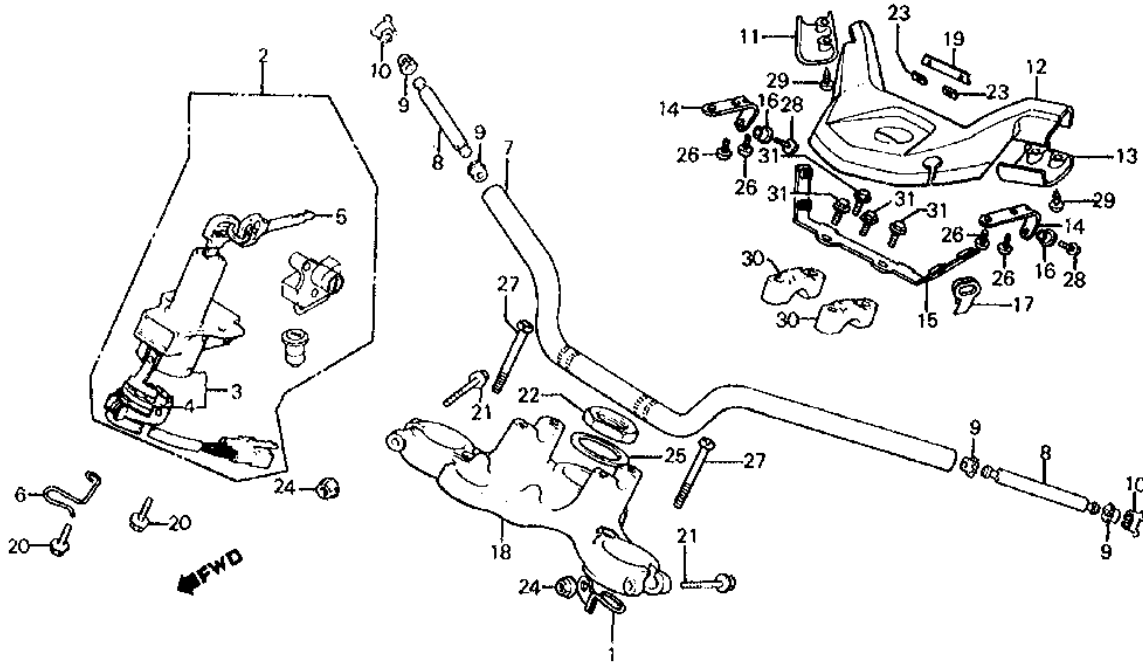
REF#	PART		#REQ
01	GASKET KIT A	061A1-ME7-405	
		(replaces 061A1-ME7-000)	001
02	SEAL, VALVE STEM	12209-MB9-003	
		(replaces 12209-300-003)	008
03	GASKET	12230-MC7-306	
		(replaces 12230-MC7-000)	001
04	GASKET, CYL HD	12251-ME2-405	
		(replaces 12251-ME2-000)	002
05	GASKET, HEAD COVER	12328-415-000	002
06	GASKET, PLUG HOLE	12329-415-000	002
07	GASKET, EX. MANIFOLD	18139-ME7-000	002
08	O-RING (6.9X1.5)	91302-044-013	002
09	O-RING (53.8X3.1)	91302-657-000	001
10	O-RING	91303-MC7-003	
		(replaces 91303-MC7-004)	001
11	O-RING (13.5X1.4)	91307-PH7-660	
		(replaces 91307-611-000)	001
12	O-RING (40X2.4)	91325-413-830	
		(replaces 91325-567-005)	002
13	O-RING (23X2.8)	94608-50000	001

Gasket Kit B

(Image Not Available)

REF#	PART		#REQ
01	GASKET KIT B	061B1-ME7-T00	
		(replaces 061B1-ME7-000)	001
02	GASKET, OIL PAN	11128-ME2-306	
		(replaces 11128-ME2-000)	001
03	GASKET, CLUTCH COVER	11372-MC7-306	
		(replaces 11372-MC7-000)	001
04	GASKET, TRANS CVR	11391-ME2-306	
		(replaces 11391-ME2-000)	001
05	GASKET, RR. COVER	11394-449-306	
		(replaces 11394-449-701)	001
06	GASKET	11396-415-000	001
07	O-RING (11.8X2.4)	91302-ZE9-003	
		(replaces 16997-357-003)	002
		(replaces 91302-ZE9-000)	002
		(replaces 91320-HA5-000)	002
		(replaces 91320-HA5-003)	002
07	O-RING (11.8X2.4)	91320-MJ6-003	002
08	GASKET, PULSER COVER	30373-MC7-306	
		(replaces 30373-MC7-000)	001
09	O-RING (22X3.0)	91307-425-003	
		(replaces 91301-250-000)	001
10	O-RING (13.6X2.4)	91301-268-020	004
11	O-RING (30.8MM)	91302-001-020	002
12	O-RING (15X2.5)	91302-377-000	002
13	O-RING (8X1.7)	91306-HB3-003	
		(replaces 91303-001-000)	001
14	O-RING (8.2X1.5)	91308-MC7-000	001
15	O-RING (81X4.5)	91315-MA6-003	
		(replaces 91311-415-000)	001
16	O-RING (15.3X3.5)	91363-MC7-004	001
17	O-RING (23X2.8)	94608-50000	004

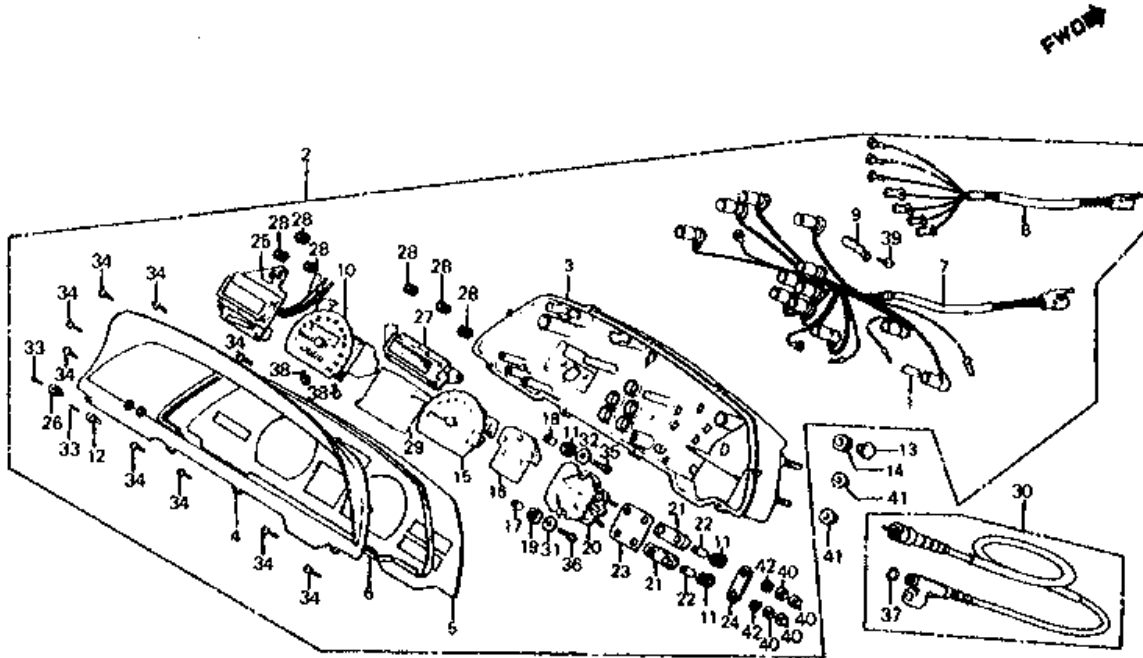
Handlebar & Top Bridge & Lockset



REF#	PART		#REQ
01	CLIP, CHOKE CABLE	17951-ME7-000	001
02	LOCK SET	35010-ME7-000	001
03	SWITCH, COMBINATION	35100-MC7-601	001
04	BASE, CONTACT	35101-MC7-611	001
05	KEY, BLANK (TYPE1)	35121-KW3-771	
	(replaces	35121-MC7-811)	
	(replaces	35121-MG9-810)	001
05	KEY, BLANK (TYPE2)	35122-KW3-771	001
05	KEY, BLANK (TYPE2)	35122-MG9-810	
	(replaces	35122-MC7-811)	
	(replaces	35122-MG9-820)	001
06	GUIDE	50733-MC7-000	001
07	HANDLEBAR	53100-ME7-670	001
08	WEIGHT, HANDLEBAR	53105-449-830	002
09	RUBBER	53107-425-000	004
10	RING	53108-MK4-000	
	(replaces	53108-415-004)	002
11	COVER, R.	53204-ME7-670	001
12	COVER, HANDLEBAR	53205-ME7-670	001
13	COVER, L.	53206-ME7-670	001
14	BRACKET	53207-ME7-670	002
15	STAY	53208-ME7-670	001
16	COLLAR	53211-ME7-670	002
17	GROMMET, COVER	53212-ME7-670	001
18	BRIDGE, FORK TOP	53230-ME7-000	001
19	EMBLEM	87106-MC7-300	001
20	BOLT	90105-MC7-000	002
21	BOLT, FLANGE (7X54)	90155-369-000	002
22	NUT, STEERING STEM	90304-425-000	001
23	NUT, SPEED (3MM)	90315-504-000	002
24	NUT, FLANGE (7MM)	90355-369-000	002
25	WASHER	90503-425-000	001
26	SCREW, PAN (6X12)	93500-06012-0A	004
27	SCREW, FLAT (6X40)	93600-06040-0G	002

28	SCREW, OVAL (6X16)	93700-06016-0G	002
29	SCREW-WASHER (4X12)	93893-04012-07	004
30	HOLDER B2, HANDLEBAR	95014-22200	002
31	BOLT, FLANGE (8X35)	95800-08035-00	004

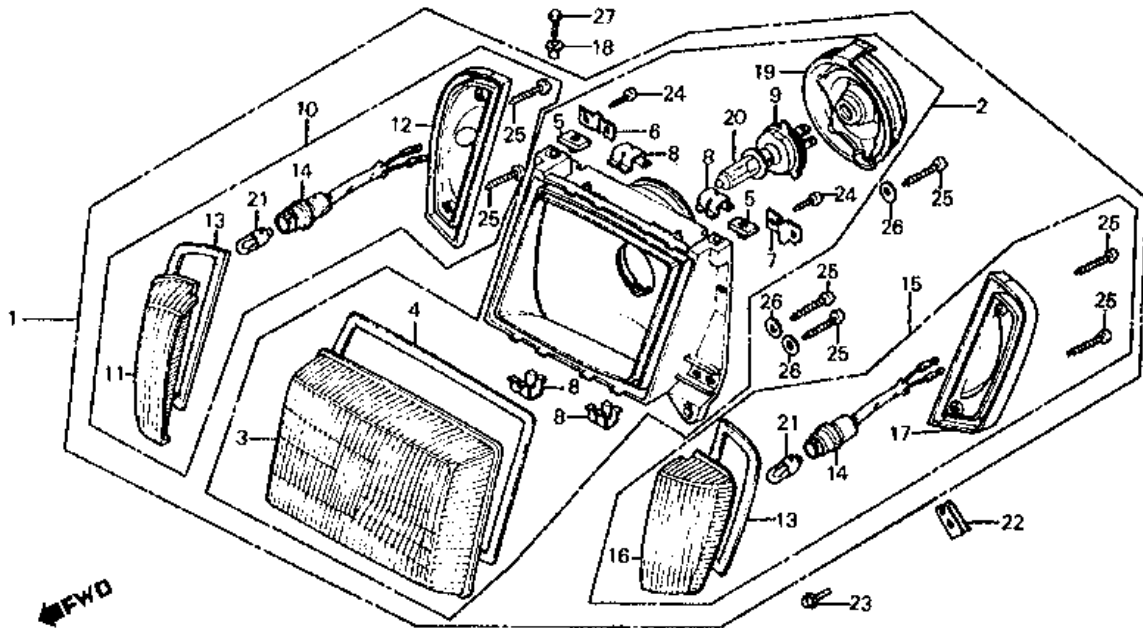
Instruments



REF#	PART	#REQ
01	BULB (12V3.4W2CP) (replaces 37237-SA5-003 (replaces 34908-GA7-701) (replaces 37102-567-009) (replaces 37237-SA5-004)	013
02	METER, COMBINATION	37100-ME7-670 001
03	CASE	37101-MC7-611 001
04	GLASS	37102-MC7-611 001
05	PLATE, REFLECTING	37103-MC7-671 001
06	GASKET, METER	37104-MC7-611 001
07	SOCKET A	37105-MC7-611 001
08	SOCKET B	37106-MC7-611 001
09	CLAMP	37107-MC7-611 001
10	SPEEDOMETER ASSY. (replaces 37200-ME7-670)	37200-MC7-601 001
11	RUB, METER SETTING	37203-MC7-611 007
12	KNOB, TRIP METER (replaces 37204-MC7-611)	37204-MC7-612 001
13	COLLAR	37243-MC7-000 004
14	RUBBER	37244-MC7-000 004
15	TACHOMETER ASSY. (replaces 37250-ME7-670)	37250-MC7-610 001
16	RUBBER, TACHOMETER	37253-MC7-611 001
17	COLLAR	37254-MC7-611 002
18	COLLAR, TACHOMETER	37255-MC7-611 003
19	GASKET, TACHOMETER	37256-MC7-611 002
20	METER, FUEL/TEMP	37300-ME7-000 001
21	RUBBER	37302-MC7-611 002
22	COLLAR	37303-MC7-611 004
23	STAY	37304-MC7-611 001
24	WASHER	37305-MC7-611 001
25	METER ASSY., HOUR	37460-ME7-008 001
26	KNOB, CLOCK METER (replaces 37461-MC7-611)	37461-MC7-612 001
27	INSTRUMENT, TURBO	37490-MC7-611 001

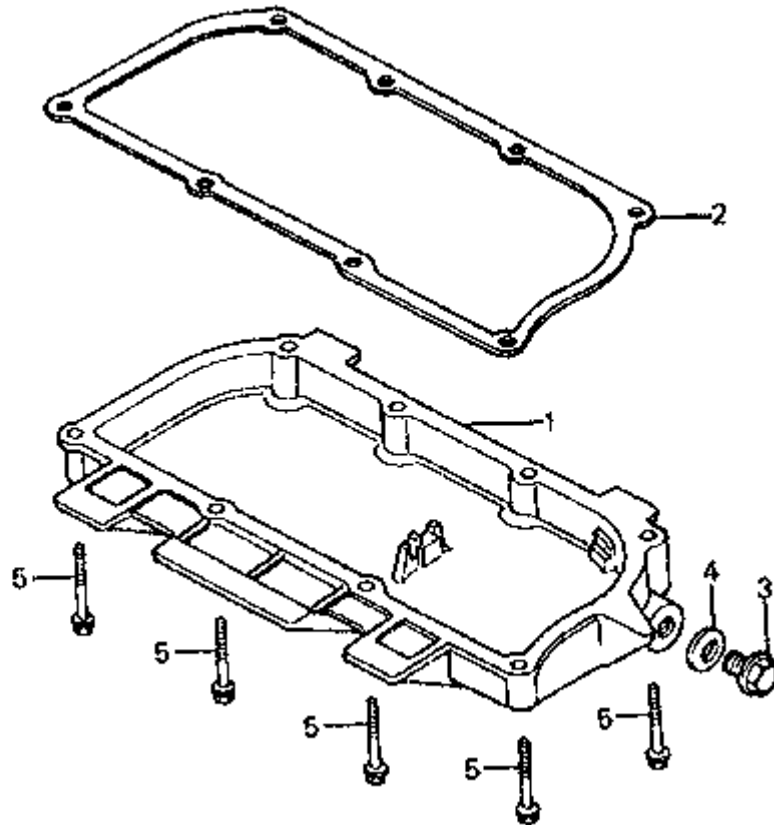
28	RUBBER	37491-MC7-611	006
29	INDICATOR ASSY.	37600-MC7-611	001
30	CABLE, SPEEDOMETER	44830-MC7-000	001
31	WASHER (4.3X12.5)	90101-MC7-611	010
32	WASHER (3.3X12)	90102-MC7-611	003
33	SCREW, FLAT (2.3X8)	90600-MC7-612	
	(replaces	90600-MC7-611)	002
34	SCREW-WASHER (3X14)	90890-MC7-611	009
35	SCREW-WASHER (3X20)	90891-MC7-611	003
36	SCREW-WASHER (4X20)	90892-MC7-611	002
37	O-RING (6.8X1.9)	91306-PJ4-000	
	(replaces	91301-027-000)	
	(replaces	91310-MC7-003)	001
38	SCREW-WASHER (4X8)	93893-04008-00	
	(replaces	93893-04008)	002
39	SCREW, TAPPING	93902-24380	001
40	NUT, HEX. (4MM)	94002-04000-0S	013
41	NUT, FLANGE (6MM)	94050-06000	004
42	WASHER, SPRING (4MM)	94111-04800	013

Light, Front Combination



REF#	PART		#REQ
01	LIGHT ASSY., FR.	33100-MC7-672	001
02	HEADLIGHT ASSY.	33101-MC7-671	001
03	LENS, HEADLIGHT	33102-MC7-671	001
04	GASKET, HEADLIGHT	33103-MC7-611	001
05	NUT (6MM)	33109-MC7-611	002
06	HOLDER A	33111-MC7-611	001
07	HOLDER B	33112-MC7-611	001
08	CLIP, LENS HOLDER	33113-MC7-611	004
09	HLDR, HEADLIGHT BULB	33114-MC7-611	001
10	LIGHT, R. POSITION	33160-MC7-601	001
11	LENS, R.	33161-MC7-611	001
12	HOUSING, R.	33162-MC7-601	001
13	GASKET, POSITION	33163-MC7-611	002
14	SOCKET ASSY.	33164-MC7-601	002
15	LIGHT, L. POSITION	33170-MC7-601	001
16	LENS, L.	33171-MC7-611	001
17	HOUSING, L.	33172-MC7-601	001
18	COLLAR, TAILLIGHT	33713-428-610	002
19	COVER, RUBBER	33905-MC7-611	001
20	BULB (12V60/55W)	34901-MC7-601AH	
	(replaces 34901-MC7-601)		001
21	BULB (12V4W) (T8/4)	34903-388-611	002
22	NUT, CLIP (6MM)	64529-MC7-000	002
23	BOLT B, A/CLNR HSG	90114-428-900	002
24	SCREW, TAP (4X10)	93901-34220	006
25	SCREW, TAP (5X20)	93901-35420	010
26	WASHER, PLAIN (5MM)	94101-05800	006
27	BOLT, FLANGE (6X16)	95701-06016-00	
	(replaces 95700-06016-00)		002

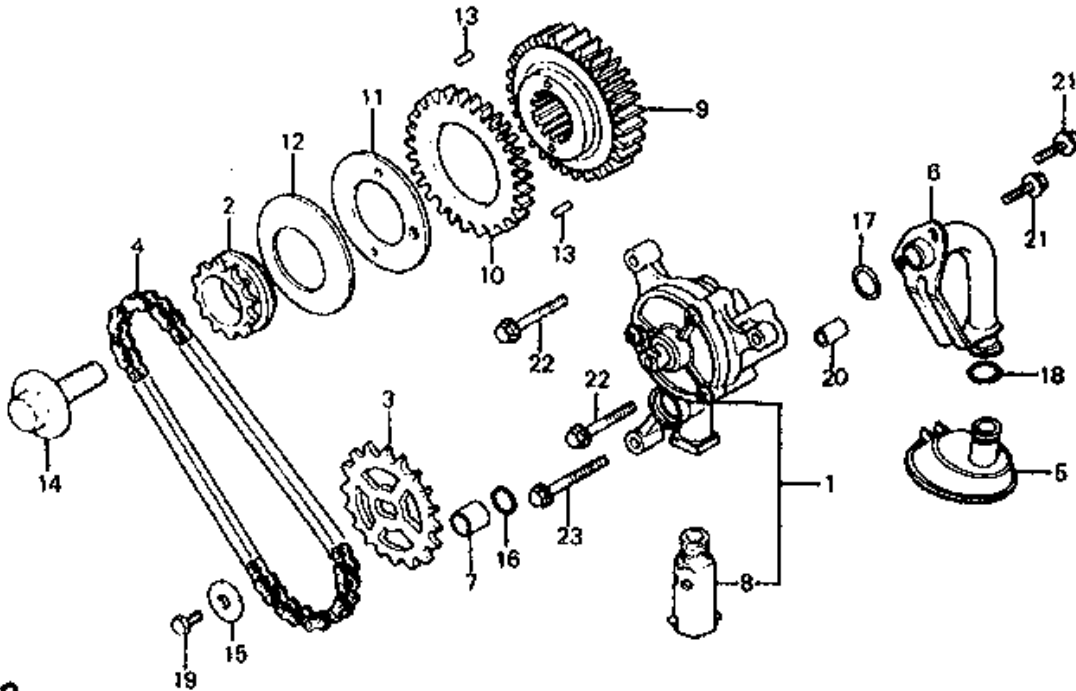
Oil Pan



FWD

REF#	PART		#REQ
01	PAN, OIL	11121-ME2-010	001
02	GASKET, OIL PAN	11128-ME2-306	
		(replaces 11128-ME2-000)	001
03	BOLT, PLUG (14MM)	90081-MC7-000	
		(replaces 90081-ME7-000)	001
04	WASHER, DRAIN (14MM)	94109-14000	001
05	BOLT, FLANGE (6X40)	96001-06040-00	
		(replaces 96000-06040-00)	008

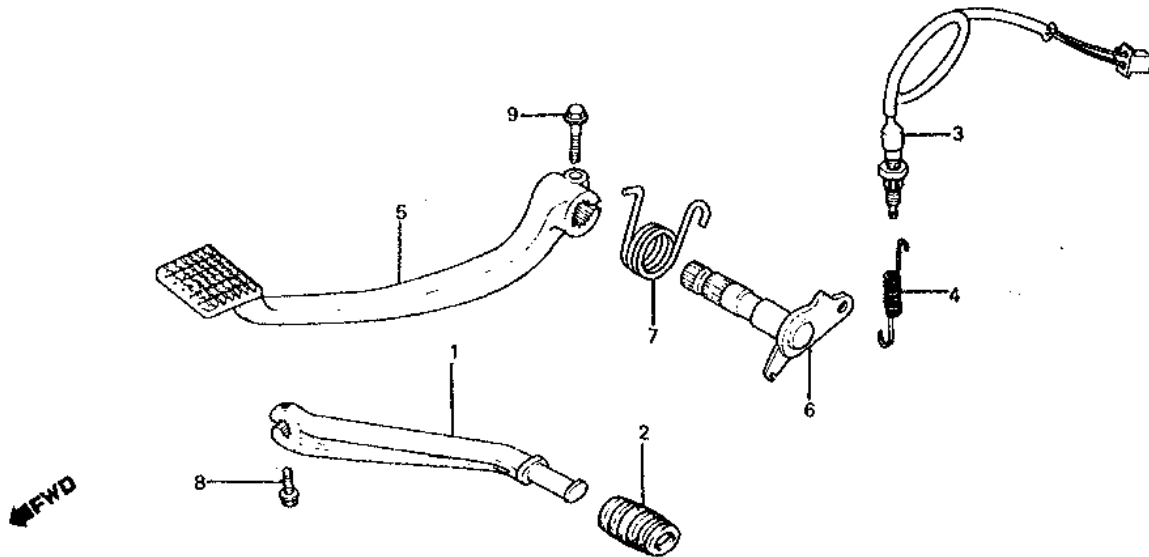
Oil Pump & Primary Drive Gear



← FWD

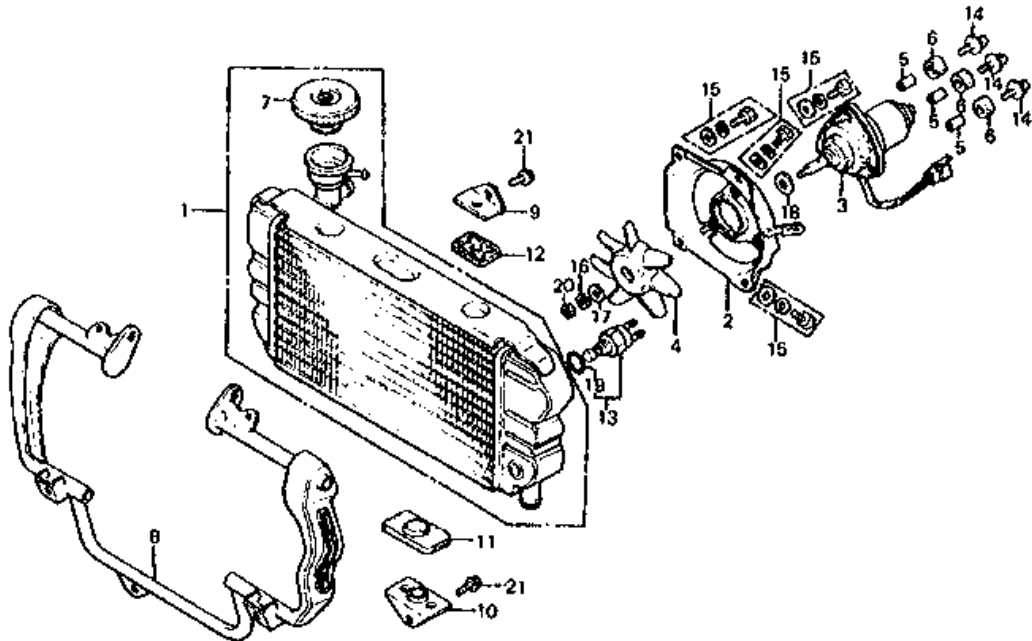
REF#	PART		#REQ
01	PUMP ASSY., OIL	15100-MC7-000	001
02	SPROCKET	15115-ME7-000	001
03	SPROCKET	15116-ME7-000	001
04	CHAIN, OIL PUMP	15140-MC7-000	001
05	BODY, OIL STRAINER	15141-ME7-000	001
06	PIPE, OIL STRAINER	15143-ME7-000	001
07	COLLAR, O-RING	15155-300-000	001
08	VALVE ASSY., RELIEF	15220-415-000	001
09	GEAR (40T)	23121-ME7-000	001
10	SUB-GEAR (39T)	23122-ME7-000	001
11	PLATE, SIDE	23123-415-000	001
12	SPRING, DISK	23125-ME7-305	001
13	PIN (3X5.2)	30905-216-000	002
14	BOLT, UBS (12X28)	90013-MC7-000	001
15	WASHER	90486-028-000	001
16	O-RING (13.6X2.4)	91301-268-020	001
17	O-RING (15X2.5)	91302-377-000	001
18	O-RING (15.3X3.5)	91363-MC7-004	001
19	BOLT, HEX. (6X8)	92101-06008-0A	
	(replaces 92000-06008)		
	(replaces 92000-06008-0A)		001
19	BOLT, HEX. (6X8)	92101-06008-0A	001
20	PIN, DOWEL (8X14)	94301-08140	001
21	BOLT, FLANGE (6X14)	95701-06014-00	
	(replaces 95700-06014-00)		002
22	BOLT, FLANGE (6X25)	95701-06025-00	
	(replaces 95700-06025-00)		002
23	BOLT, FLANGE (6X32)	95701-06032-00	
	(replaces 95700-06032-00)		001

Pedal, Brake & Shift



REF#	PART		#REQ
01	PEDAL, GEARSHIFT	24701-MC7-000	001
02	RUB, GEARSHIFT PEDAL	24781-MC7-000	001
03	SWITCH, RR. STOP	35350-KA2-405	
	(replaces	35350-438-000)	001
04	SPRING, STOP SWITCH	35357-415-000	001
05	PEDAL, BRAKE	46500-MC7-000	001
06	SPINDLE, RR. BRAKE	46510-MC7-000	001
07	SPRING, BRAKE PEDAL	46514-MC7-000	001
08	BOLT, FLANGE (6X22)	95701-06022-08	
	(replaces	95700-06022-08)	001
09	BOLT, FLANGE (8X28)	95701-08028-00	
	(replaces	95700-08028-00)	001

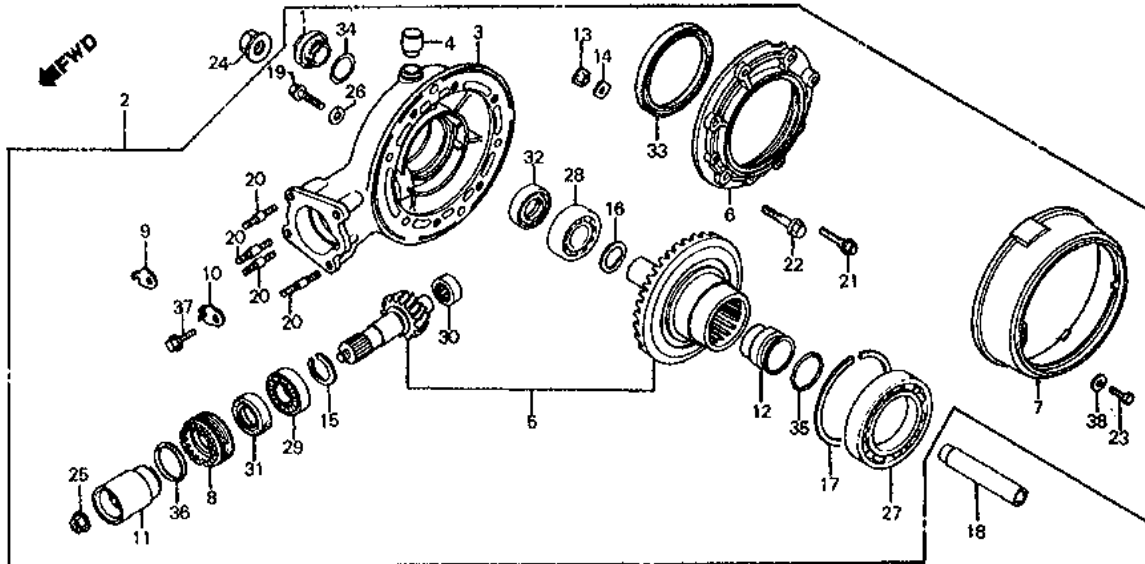
Radiator & Cooling Fan



←FWD

REF#	PART		#REQ
01	RADIATOR	19010-ME7-003	001
02	SHROUD	19020-ME7-003	001
03	MOTOR ASSY., FAN	19030-KE8-004	
	(replaces	19030-463-003)	001
03	MOTOR ASSY., FAN	19030-KE8-004	001
04	FAN, COOLING	19040-MC7-003	001
05	COLLAR	N949194-0040	
	(replaces	19040-611-003)	003
06	RUBBER, BUSHING	19041-611-003	003
07	CAP	19045-MG9-003	
	(replaces	19045-MC7-003)	001
08	GUARD, RADIATOR	19112-MC7-000	001
09	BRACKET, RADIATOR	19113-MC7-000	002
10	BRACKET, RADIATOR	19114-ME7-000	002
11	STAY, RADIATOR	19115-ME7-000	002
12	STAY, RADIATOR	19116-MC7-000	002
13	SWITCH ASSY., THERMO	37760-MC7-003	001
14	SCREW-WASHER (4x18)	90041-679-003	003
15	BOLT-WASHER (6X10)	90042-463-003	004
16	WASHER, SPRING (5MM)	90401-679-003	001
17	WASHER, PLAIN (5MM)	94103-05800	
	(replaces	90402-679-003)	001
18	WASHER, SPECIAL	90501-671-003	
	(replaces	90403-679-003)	001
19	O-RING (13.5X1.4)	91307-PH7-660	
	(replaces	91307-611-000)	001
20	NUT, HEX. (5MM)	94001-05080-0S	001
21	BOLT, FLANGE (6X16)	95701-06016-00	
	(replaces	95700-06016-00)	004

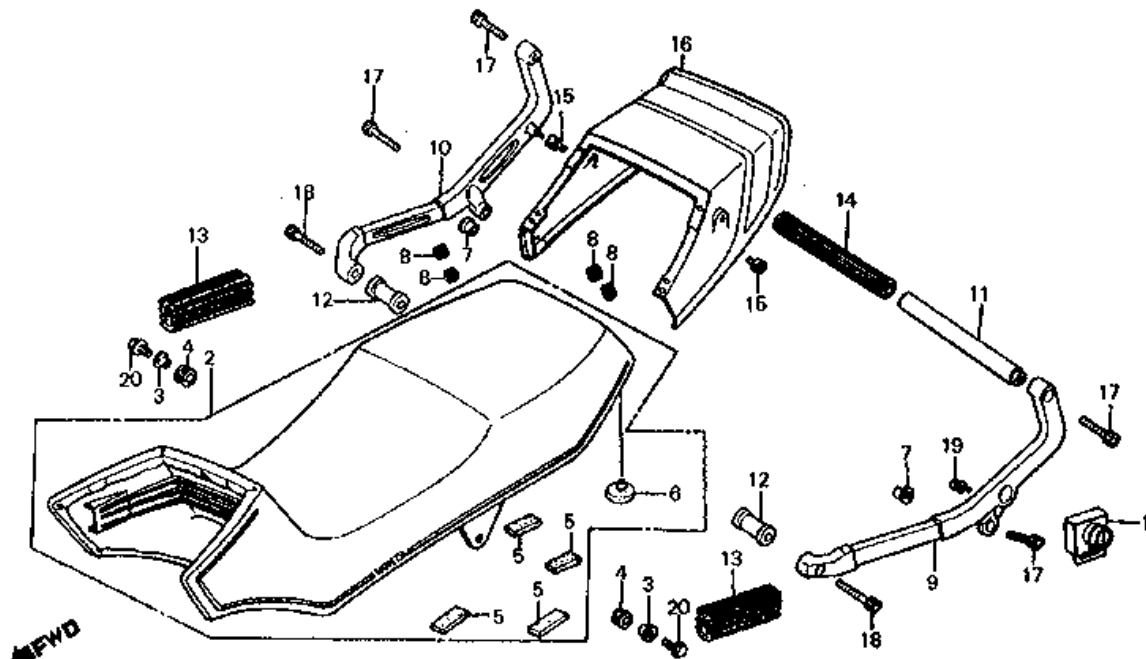
Rear End



REF#	PART		#REQ
01	CAP, VALVE ADJ.	12361-300-000	
		(replaces 12361-035-000)	
		(replaces 12361-371-980)	001
02	GEAR ASSY., FINAL	41300-ME7-000	001
03	CASE, FINAL GEAR	41301-MG0-000	001
04	CAP, BREATHER	41306-MB0-020	
		(replaces 41306-MB0-010)	001
04	BREATHER ASSY.	41306-ME5-305	001
05	GEAR SET, FINAL	41310-MG0-000	001
06	COVER, GEAR CASE	41321-MG0-000	001
07	PLATE, DUST GUARD	41324-MG0-000	001
08	RETAINER, BEARING	41331-ME9-010	
		(replaces 41331-ME9-000)	001
09	LOCK A, BEARING ADJ.	41332-415-000	001
10	LOCK B, BEARING ADJ.	41333-415-000	001
11	JOINT, PINION	41410-ME9-770	
		(replaces 41410-ME9-000)	001
12	HOLDER, O-RING	41433-MB0-010	
		(replaces 41433-MB0-000)	001
13	PIN	41436-MB0-310	001
14	SHIM A (0.10)	41437-MB0-310	
		(replaces 41437-MB0-300)	001
14	SHIM B, STOPPER PIN	41438-MB0-300	001
15	SHIM A (1.82)	41450-MB0-000	001
15	SHIM B (1.88)	41451-MB0-000	001
15	SHIM C (1.94)	41452-MB0-000	001
15	SHIM D (2.00)	41453-MB0-000	001
15	SHIM E (2.06)	41454-MB0-000	001
15	SHIM F (2.12)	41455-MB0-000	001
15	SHIM G (2.18)	41456-MB0-000	001
16	WASHER (35X40)	41510-MB0-003	001
17	SPACER A (1.82)	41530-MB0-000	001
17	SPACER B (1.88)	41531-MB0-000	001
17	SPACER C (1.94)	41532-MB0-000	001
17	SPACER D (2.00)	41533-MB0-000	001
17	SPACER E (2.06)	41534-MB0-000	001
17	SPACER F (2.12)	41535-MB0-000	001
17	SPACER G (2.18)	41536-MB0-000	001

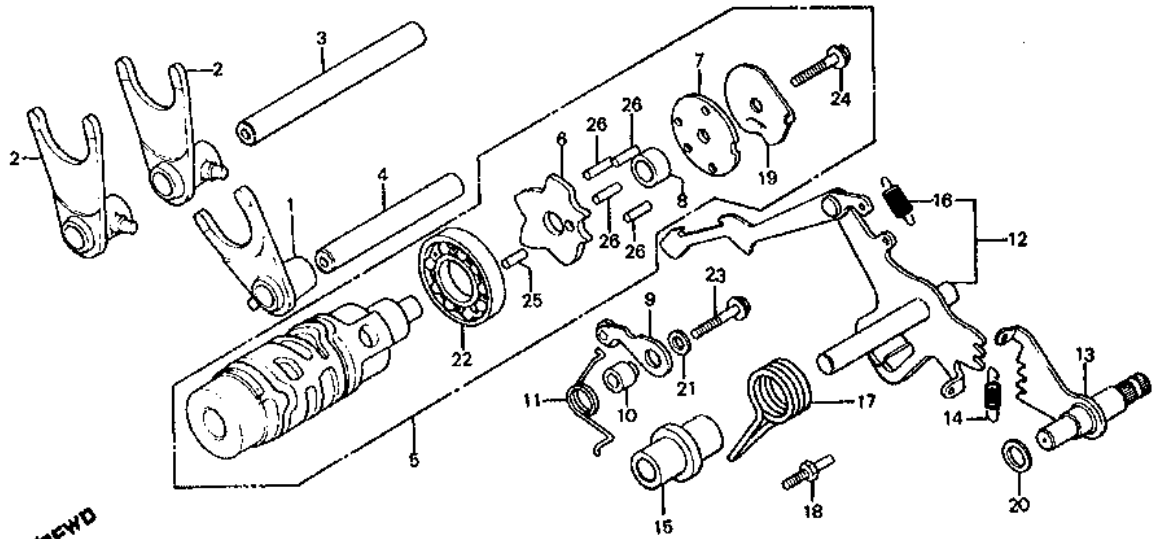
17	SPACER H (2.24)	41537-MB0-000	001
17	SPACER I (2.30)	41538-MB0-000	001
18	COLLAR B, RR.	42625-MB0-000	001
19	BOLT, SEALING (8MM)	90109-371-000	001
20	BOLT, STUD (8X48)	90125-ME7-000	004
21	BOLT, FLANGE (8X27)	90133-MB0-000	006
22	BOLT, FLANGE (10X38)	90134-371-000	002
23	BOLT, HEX. (6X16)	90170-MB0-000	003
24	NUT, FLANGE (16MM)	90305-ME5-003	001
25	NUT, HEX. (16MM)	90381-MB0-010	
	(replaces 90381-MB0-700)		001
26	GASKET (8MM)	90471-580-000	001
27	BEARING (16012C3)	91051-MB0-005	001
28	BEARING (57/34C3)	91052-MB0-003	001
29	BEARING (6305)	91061-MB0-005	001
30	BEARING (19/16)	91062-MB0-013	
	(replaces 91062-MB0-003)		
	(replaces 91062-MB0-005)		001
31	OIL SEAL (34X50X7)	91261-MB0-003	
	(replaces 91261-MB0-000)		
	(replaces 91261-MB0-005)		001
32	OIL SEAL (39X51X7)	91262-ME9-005	
	(replaces 91262-ME9-003)		001
33	OIL SEAL (60X80X8)	91265-MB0-003	
	(replaces 91265-MB0-000)		001
34	O-RING (30.8MM)	91302-001-020	001
35	O-RING (35.2X2.4)	91356-MB0-005	
	(replaces 91356-MB0-000)		001
36	O-RING (56.5X3.5)	91357-MB0-000	001
36	O-RING (56.5X2)	91357-MB0-003	001
37	BOLT, HEX. (6X12)	92101-06012-0A	
	(replaces 92000-06012)		
	(replaces 92101-06012)		001
38	WASHER, PLAIN (6MM)	94101-06800	001

Seat & Rear Cowl



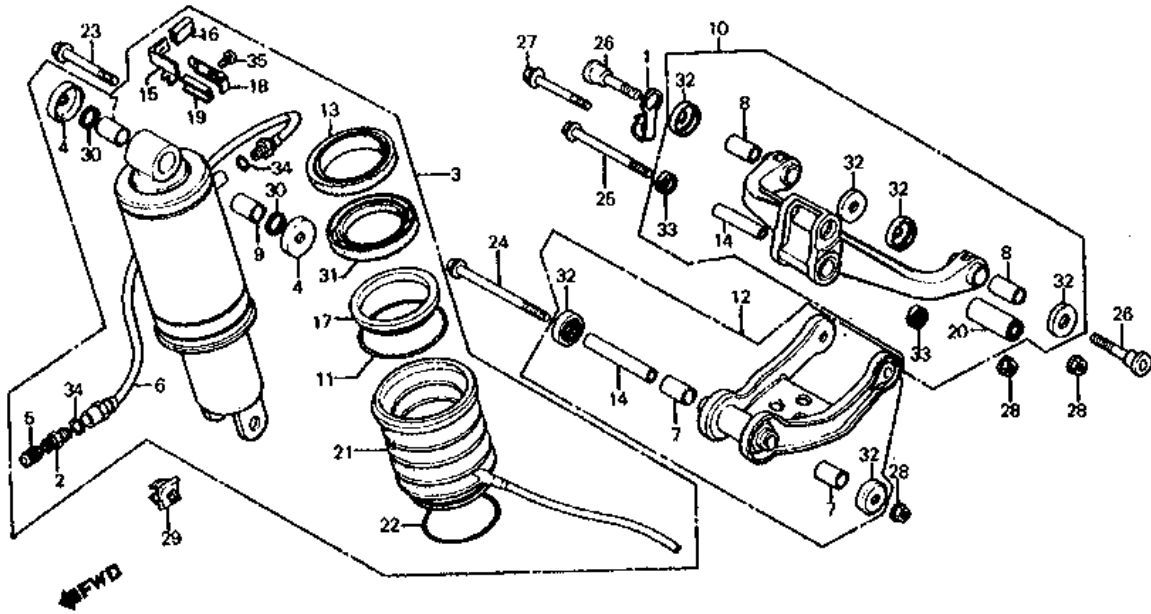
REF#	PART		#REQ
01	HOLDER ASSY., HELMET	50710-ME7-003	001
02	SEAT, DOUBLE	77200-ME7-405	
		(replaces 77200-ME7-000)	
		(replaces 77200-ME7-670)	
03	COLLAR, SEAT SETTING	77201-ME7-000	001
04	GROM, SEAT SETTING	77202-ME7-000	002
05	RUBBER, SEAT SETTING	77204-312-000	004
06	RUBBER, SEAT STOPPER	77211-438-000	002
07	COLLAR, TOOL BOX	83515-428-000	002
08	GROMMET, A/CLNR HSG	83551-240-300	004
09	GRIP, L. RR.	83601-ME7-000	001
10	GRIP, R. RR.	83602-MC7-000	001
11	GRIP, RR. CROSS	83603-MC7-000	001
12	COLLAR, GRIP SIDE	83604-MC7-000	002
13	RUBBER A, GRIP	83605-MC7-000	002
14	RUBBER B, RR. GRIP	83606-MC7-000	001
15	CAP, RR. GRIP COWL	83607-MC7-000	002
16	COWL SUB *NH121PA*	83910-ME7-000ZB	001
17	BOLT, SOCKET (8MM)	90116-125-782	004
18	BOLT, SOCKET (8X61)	90166-MC7-000	002
19	SCREW-WASHER (6X25)	93891-06025-07	001
20	BOLT, FLANGE (8X20)	95700-08020-00	002
20	BOLT, FLANGE (8X20)	95701-08020-00	002

Shift Drum & Shift Fork



REF#	PART	#REQ
01	FORK	24216-MC7-000 001
02	FORK	24221-MC7-000 002
03	SHAFT A	24241-MC7-000 001
04	SHAFT B	24242-MC7-000 001
05	DRUM, GEARSHIFT	24300-MC7-000 001
06	PLATE, DRUM CAM	24303-MC7-000 001
07	PLATE, DRUM CENTER	24304-415-000 001
08	COLLAR, DRUM CENTER	24305-415-000 001
09	STOPPER	24430-413-000 001
10	COLLAR	24432-413-000 001
11	SPRING, DRUM STOPPER	24435-415-000 001
12	ARM, GEARSHIFT	24610-415-010 001
13	SPINDLE, GEARSHIFT	24620-MC7-010 001
14	SPRING, GEARSHIFT	24623-415-000 001
15	COLR, GEARSHIFT ARM	24624-415-000 001
16	SPRING	24641-216-000 001
17	SPRING	24651-333-000 001
18	PIN	24652-259-000 001
19	PLATE, POINT	35753-415-000 001
20	WASHER (12MM)	90451-708-000 001
21	WASHER	90486-028-000 001
22	BEARING (16005)	91008-374-003 001
23	BOLT, FLANGE (6X25)	95701-06025-00 001
	(replaces	95700-06025-00) 001
24	BOLT, FLANGE (6X25)	95725-06025-00 001
25	ROLLER (4X11.8)	96220-40118 001
26	ROLLER (4X14)	96220-40140 004

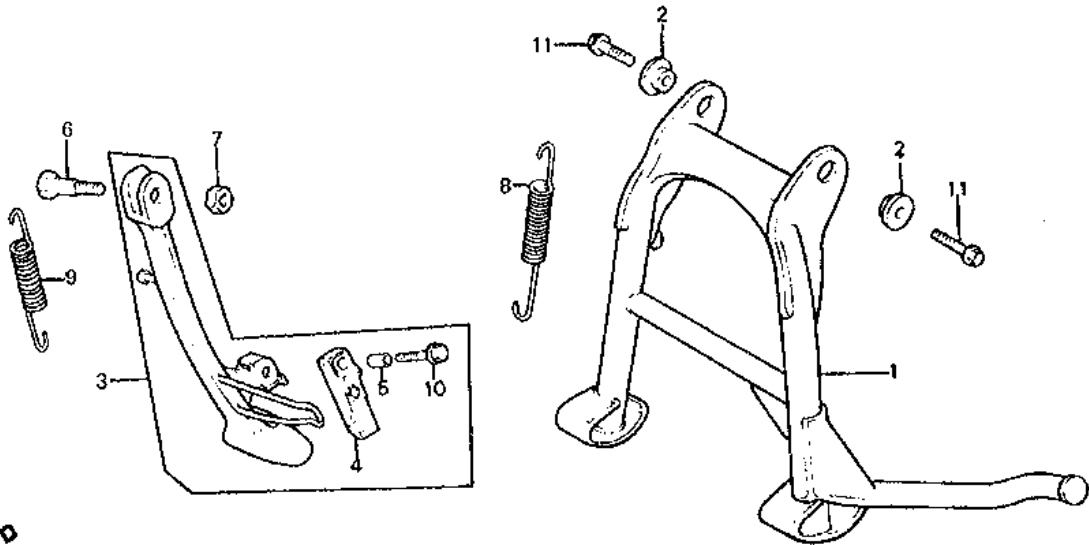
Shock Absorber & Rear Suspension



REF#	PART		#REQ
01	CLAMP, OIL HOSE	45156-MC7-000	001
02	VALVE, AIR	51456-469-013	001
03	SHOCK ABSORBER, RR.	52400-ME7-003	001
04	CAP	52406-MA1-731	002
05	CAP, AIR VALVE	52425-169-003	001
06	HOSE, RR. SHOCK	52432-ME7-003	001
07	METAL, BUSH	52452-MA1-611	003
08	COLLAR	52462-MA2-000	002
09	COLLAR, BUSH	52453-MA1-731	001
10	ARM, SHOCK ABSORBER	52460-ME2-000	001
11	RING B, STOPPER	52463-MC7-013	001
	(replaces	52463-MC7-003)	001
12	ROD ASSY.	52470-ME2-000	001
13	CASE, GUIDE	52472-MC7-003	001
14	COLLAR, CONN ROD	52475-MA1-000	002
15	ADJUSTER	52476-ME7-003	001
16	CAP, RUBBER	52477-MB0-003	001
17	RING, BACK-UP	52477-MC7-013	001
	(replaces	52477-MC7-003)	001
18	HOLDER, ADJUSTER	52479-ME7-003	001
19	GUIDE, ADJUSTER	52481-MA2-003	001
20	BUSH, SHOCK ABSORBER	52485-MA2-003	001
21	BOOT, RR. DAMPER	52611-MC7-003	001
22	BAND, BOOT	52612-MA2-003	001
23	BOLT, FLANGE (10X65)	90101-KBS-900	001
	(replaces	90152-MA1-000)	001
24	BOLT, FLG (10X100)	90108-MR8-000	001
	(replaces	90153-MA1-000)	001
25	BOLT, FLANGE (10X95)	90154-KW7-870	001
	(replaces	90154-MA1-000)	001
	(replaces	90187-MG7-003)	001
26	BOLT, CUSHION ARM	90186-MC7-000	002
27	BOLT D, FLANGE	90189-MA2-003	001
28	NUT, AXLE (10MM)	90304-GA6-003	003
29	CLIP, HOSE	90662-MA1-003	001
30	DUST SEAL	91254-MA1-731	002

31	OIL SEAL		91257-MC7-003	001
32	SEAL, RR.		91262-MA0-015	
		(replaces	91262-MA0-013)	006
33	DUST SEAL		91262-MB2-005	
		(replaces	91262-MA1-005)	002
34	O-RING (5.8X1.9)		91305-323-000	
		(replaces	91301-469-003)	002
34	O-RING (5.6X1.9)		91318-ME5-003	002
35	SCREW, PAN (4X6)		93500-04006-0A	002

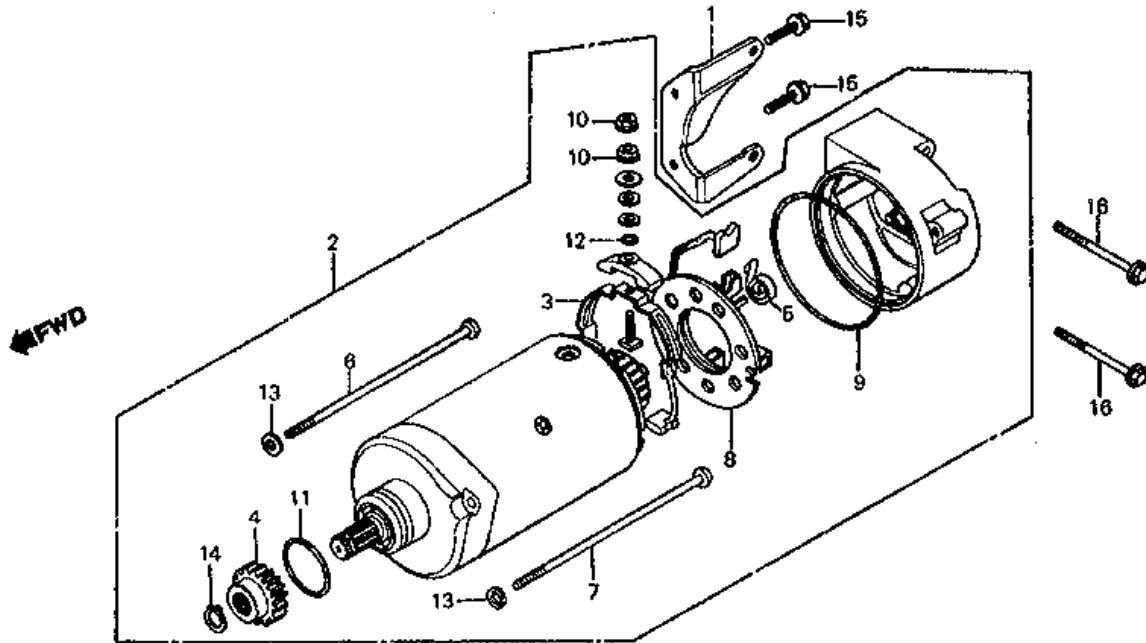
Stand, Center & Side Stand



← FWD

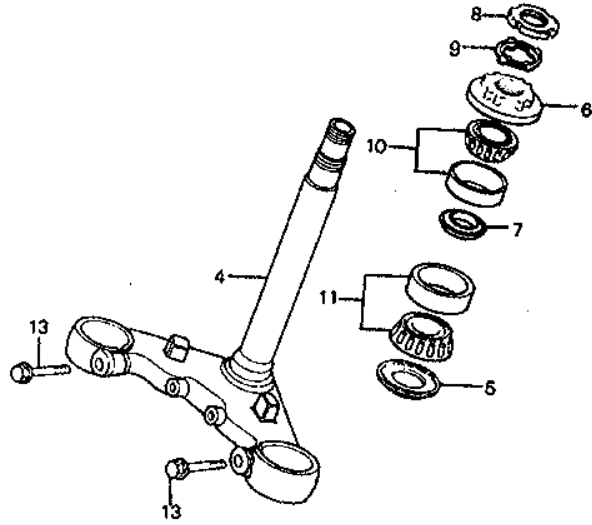
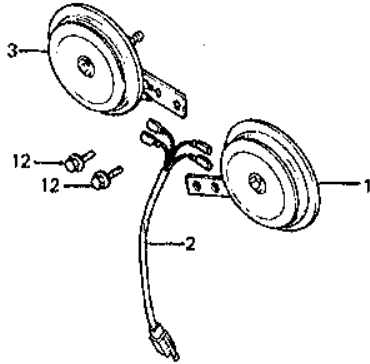
REF#	PART		#REQ
01	STAND, MAIN	50500-ME7-000	001
02	COLLAR, MAIN STAND	50503-MA1-000	002
03	STAND ASSY., SIDE	50540-ME7-000	001
04	RUBBER, STAND	50548-356-700	001
05	COLLAR	50549-356-700	001
06	BOLT	90108-223-000	001
07	NUT, HEX. (10MM)	94031-10000	001
08	SPRING J, MAIN STAND	95014-71902	001
09	SPRING D, SIDE STAND	95014-72402	001
10	BOLT, FLANGE (6X28)	95700-06028-00	001
10	BOLT, FLANGE (6X28)	95701-06028-00	001
11	BOLT, FLANGE (10X25)	95701-10025-08	
	(replaces	95800-10025-08)	
	(replaces	95801-10025-08)	002

Starter Motor



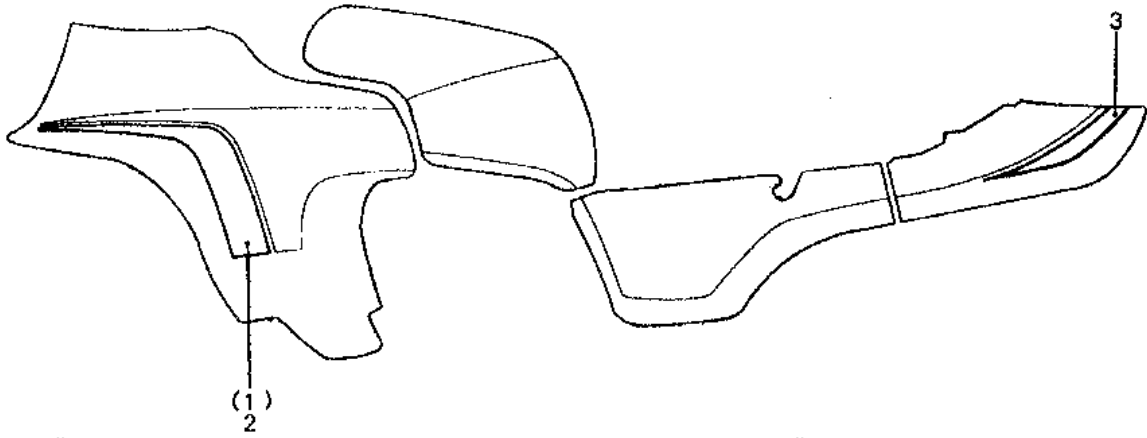
REF#	PART		#REQ
01	STAY, STARTER MOTOR	11312-ME7-000	001
02	MOTOR ASSY., STARTER	31200-ME7-405	
	(replaces 31200-ME7-008)		001
03	TERMINAL SET, BRUSH	31201-KG7-000	
	(replaces 31201-MA6-000)		001
04	GEAR (27T)	31201-415-000	001
05	SPRING, CARBON BRUSH	31204-MA6-000	004
06	SCREW, PAN (5X115)	31205-MB0-000	001
07	BOLT A, SETTING	31205-ME7-000	001
08	HOLDER SET, BRUSH	31206-MM5-008	
	(replaces 31206-KG7-000)		
	(replaces 31206-MA6-000)		001
09	RING, SEAL	31207-179-711	001
10	NUT-WASHER (6MM)	90071-MB0-000	002
11	O-RING (24.4X3.1)	91312-MG7-003	
	(replaces 91309-425-003)		001
12	O-RING	91320-MB0-000	
	(replaces 91320-ME7-000)		001
13	WASHER, SPRING (5MM)	94111-05000	002
14	CIRCLIP (11MM)	94510-11000	001
15	BOLT, FLANGE (6X18)	96001-06018-00	
	(replaces 96000-06018-00)		002
16	BOLT, FLANGE (6X32)	96001-06032-00	
	(replaces 96000-06032-00)		002

Steering Stem & Horns



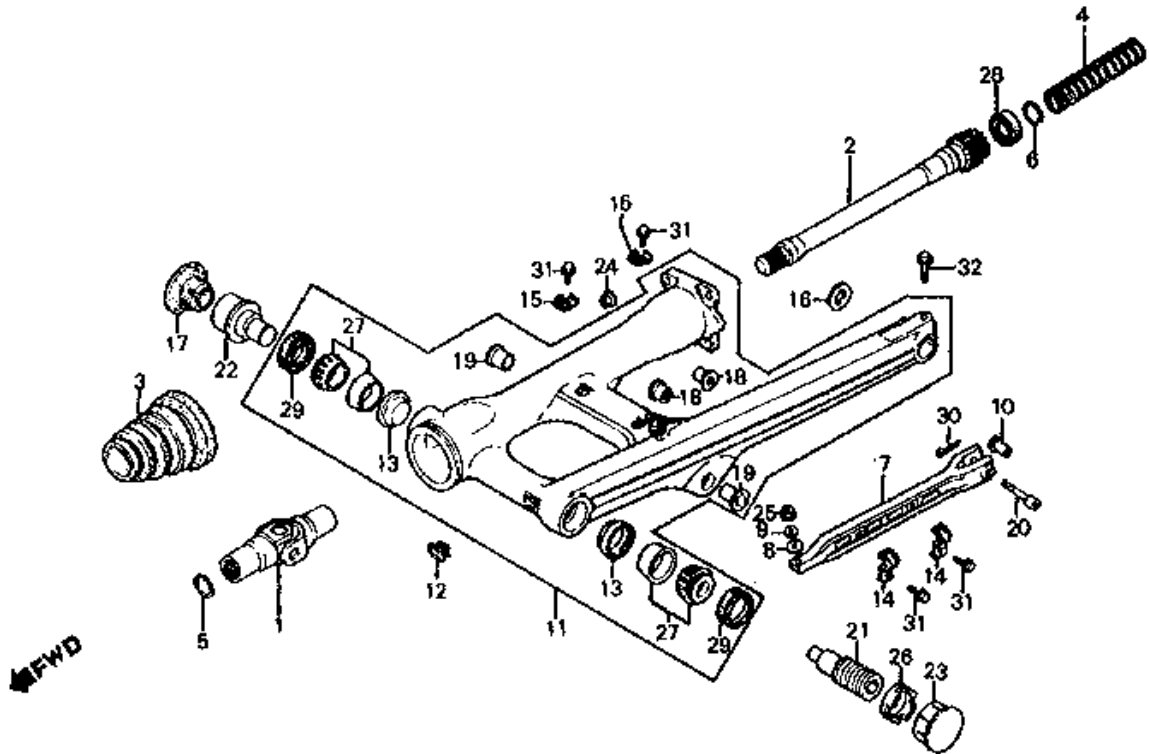
REF#	PART		#REQ
01	HORN (HIGH)	38110-GT8-621	001
01	HORN (HIGH)	38110-MC7-611	
		(replaces 38110-MC7-671)	001
02	CABLE A, HORN SUB	38111-MC7-008	001
03	HORN COMP (LOW)	38120-MC7-612	
		(replaces 38120-MC7-672)	001
04	STEM, STEERING	53200-MC7-000	001
05	DUST SEAL	53214-371-010	001
06	THREAD (UPPER)	53220-422-000	
		(replaces 53220-460-840)	001
07	HOLDER, GREASE	53223-371-010	001
08	THREAD	90302-425-830	001
09	WASHER, LOCK	90506-425-830	001
10	BEARING, HEAD PIPE	91015-425-832	001
11	BEARING, HEAD PIPE	91016-371-000	001
12	BOLT, FLANGE (6X10)	95701-06010-07	
		(replaces 95700-06010-07)	002
13	BOLT, FLANGE (10X35)	95701-10035-07	
		(replaces 95700-10035-07)	002

Stripes



REF#	PART		#REQ
01	STRIPE, R. (TYPE2)	64281-ME7-300ZB	001
02	STRIPE, L. (TYPE2)	64282-ME7-300ZB	001
03	STRIPE, RR. (TYPE2)	83804-ME7-300ZB	001

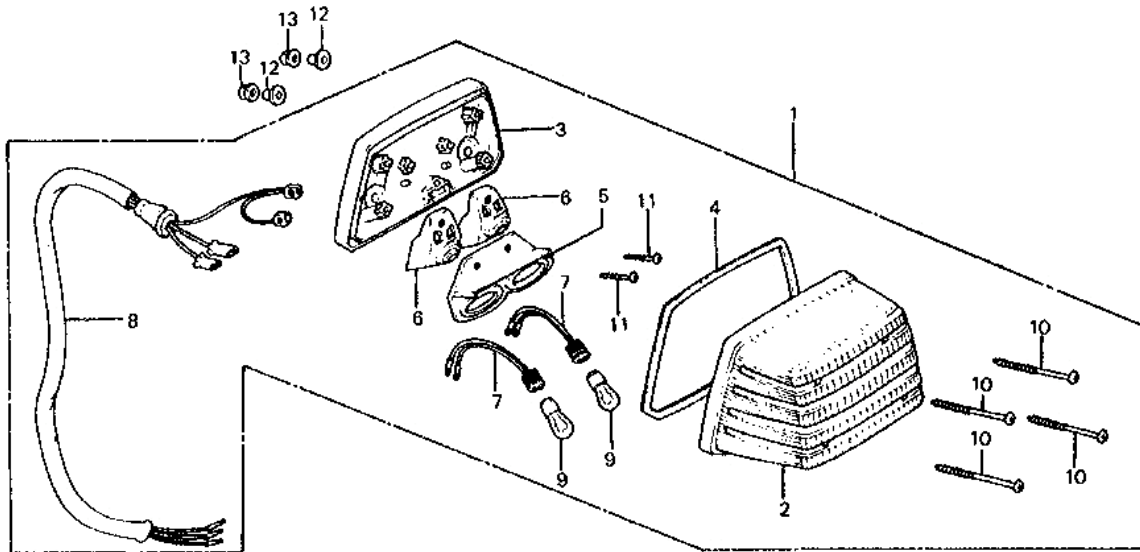
Swingarm



REF#	PART		#REQ
01	JOINT, YOKE	40200-MG0-003	001
02	SHAFT, DRIVE	40201-MG0-003	001
03	BOOT, JOINT	40207-MC7-000	001
04	SPRING	40215-ME9-003	001
05	RING, YOKE STOPPER	40220-ME8-000	001
06	RING, STOPPER	40221-MB0-000	001
07	ARM, RR.	43431-MC7-000	001
08	WASHER, RR.	43432-461-000	001
09	RUBBER	43434-286-000	001
10	COLLAR, LINK	43435-MC7-000	001
11	SWINGARM ASSY., RR.	52110-ME7-000	001
12	CAP, RR.	52111-MC7-000	001
13	HOLDER, RR.	52112-MA1-300	002
14	CLAMP A, RR.	52114-MC7-000	002
15	CLAMP B, RR.	52115-MC7-000	002
16	WASHER (1.7MM)	52116-MC7-000	001
17	CAP, RR. SWINGARM	52117-MC7-000	001
18	NUT, COLLAR	52468-MC7-300	002
19	COLLAR, RR. SWINGARM	52469-MC7-000	002
20	BOLT, RR.	90120-MC7-000	001
21	BOLT, PIVOT	90121-MA1-000	001
22	BOLT, R. RR.	90121-MC7-000	001
23	CAP, LOCK NUT	90303-463-010	001
24	NUT, HEX. (8MM)	90309-357-000	004
25	NUT, FLANGE (8MM)	90309-428-731	001
26	NUT, RR. SWINGARM	90355-469-000	001
27	BEARING (30203J)	91066-MC7-004	002
	(replaces	91066-MC7-003)	002
28	OIL SEAL (27X43X7)	91261-ME9-005	001
29	DUST SEAL (26X40X5)	91268-463-003	002
30	PIN, SPLIT (2.0X15)	94201-20150	001

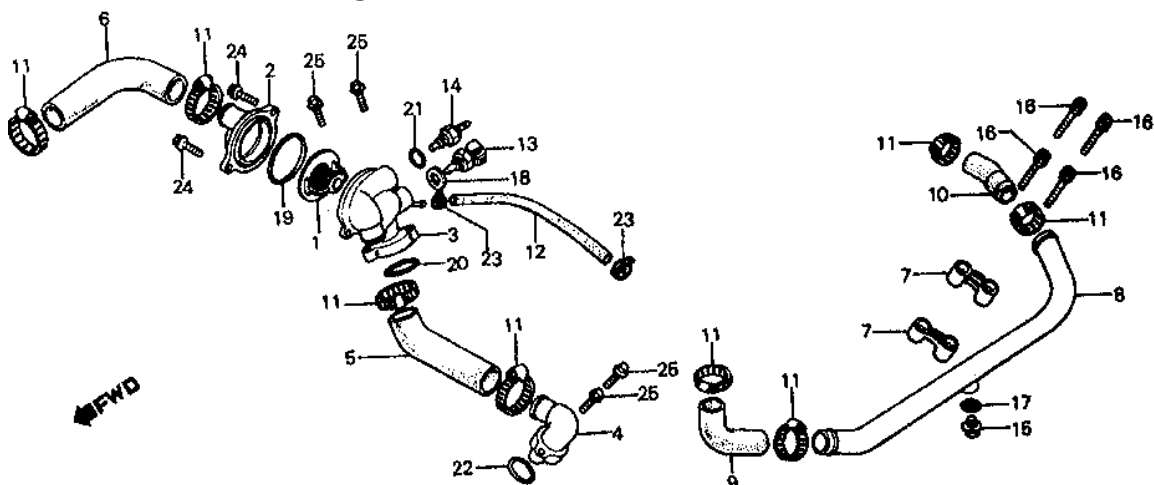
31 BOLT, FLANGE (6X10) 95701-06010-00
(replaces 95700-06010-00) 004
32 BOLT, FLANGE (8X45) 95701-08045-00
(replaces 95700-08045-00) 001

Tail Light



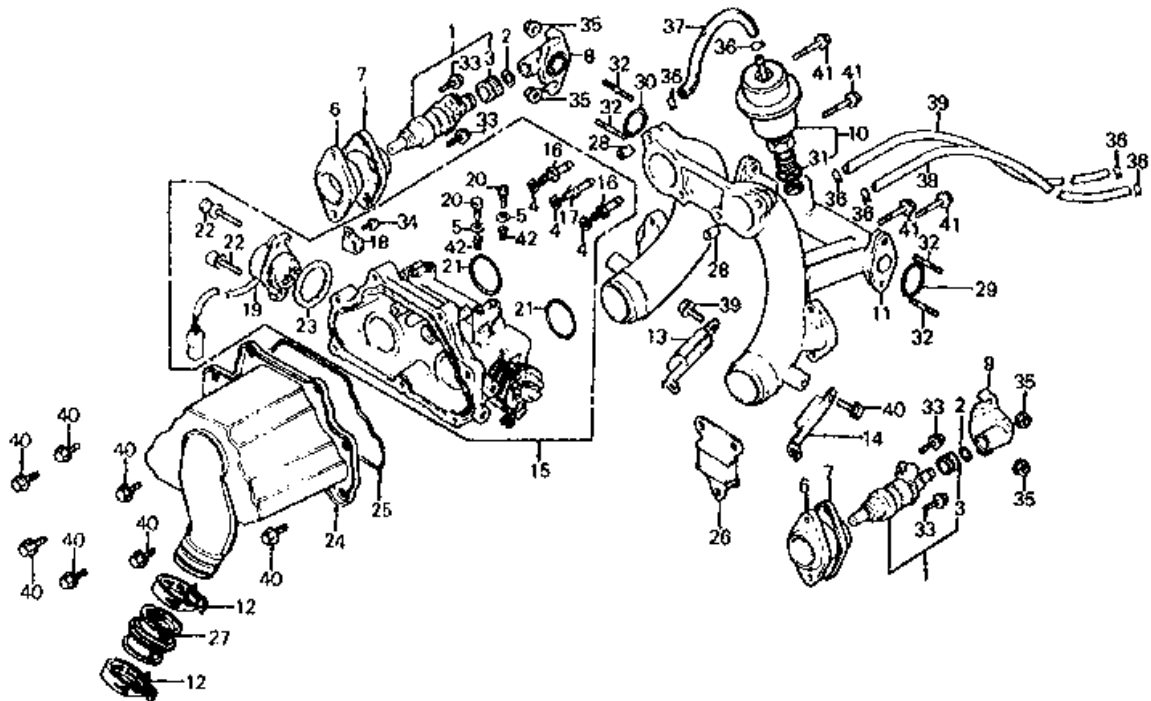
REF#	PART		#REQ
01	TAILLIGHT UNIT	33701-ME7-670	001
02	LENS, TAILLIGHT	33702-MC7-671	001
03	BASE, TAILLIGHT	33703-MC7-611	001
04	GSKT, TAILLIGHT LENS	33704-MC7-671	001
05	STAY	33705-MC7-671	001
06	SOCKET	33706-MC7-611	002
07	WIRE, TAILLIGHT	33705-147-671	002
	(replaces	33707-MC7-611)	002
08	SUB-CABLE	33708-ME7-670	001
09	BULB (12V27/8W)	34906-425-771	002
10	SCREW, TAP (4X40)	90105-KB4-003	004
11	SCREW, TAP (4X16)	90106-MC7-003	002
12	COLLAR	90522-170-700	002
13	NUT, FLANGE (6MM)	94050-06080	002

Thermostat & Cooling Pipes & Hoses



REF#	PART		#REQ
01	SET, THERMOSTAT	19320-679-F00	
		(replaces 19300-679-003)	
		(replaces 19320-679-000)	001
02	COVER, THERMOSTAT	19315-MC7-000	001
03	CASE, THERMOSTAT	19411-MC7-000	001
04	JOINT, WATER	19421-MC7-000	001
05	HOSE A, WATER	19501-MC7-000	001
06	HOSE B, WATER	19502-MC7-000	001
07	CLAMP, WATER PIPE	19503-MC7-000	002
08	PIPE, RR. WATER	19504-MC7-000	001
09	HOSE C, WATER	19506-MC7-000	001
10	HOSE D, WATER	19507-ME7-000	001
11	BAND, WATER HOSE	19514-MC7-000	008
12	TUBE (5X290)	19521-MC7-000	001
13	SENSOR, COOLANT TEMP	36151-MC7-003	001
14	SENDING UNIT	37750-611-154	001
15	BOLT, SEALING (12MM)	90017-MC7-000	001
16	BOLT, SPECIAL (5X22)	90089-415-000	004
17	WASHER, DRAIN (12MM)	94109-12000	
		(replaces 90407-231-000)	001
17	GASKET (12.5X20)	90407-259-000	001
18	WASHER (12MM)	90454-MC7-000	001
19	O-RING (53.8X3.1)	91302-657-000	001
20	O-RING	91303-MC7-003	
		(replaces 91303-MC7-004)	001
21	O-RING (13.5X1.4)	91307-PH7-660	
		(replaces 91307-611-000)	001
22	O-RING (23X2.8)	94608-50000	001
23	CLIP, TUBE (D10)	95002-41000-08	002
24	BOLT, FLANGE (6X25)	95701-06025-00	
		(replaces 95700-06025-00)	002
25	BOLT, FLANGE (6X25)	96000-06025-00	004
25	BOLT, FLANGE (6X25)	96001-06025-00	004

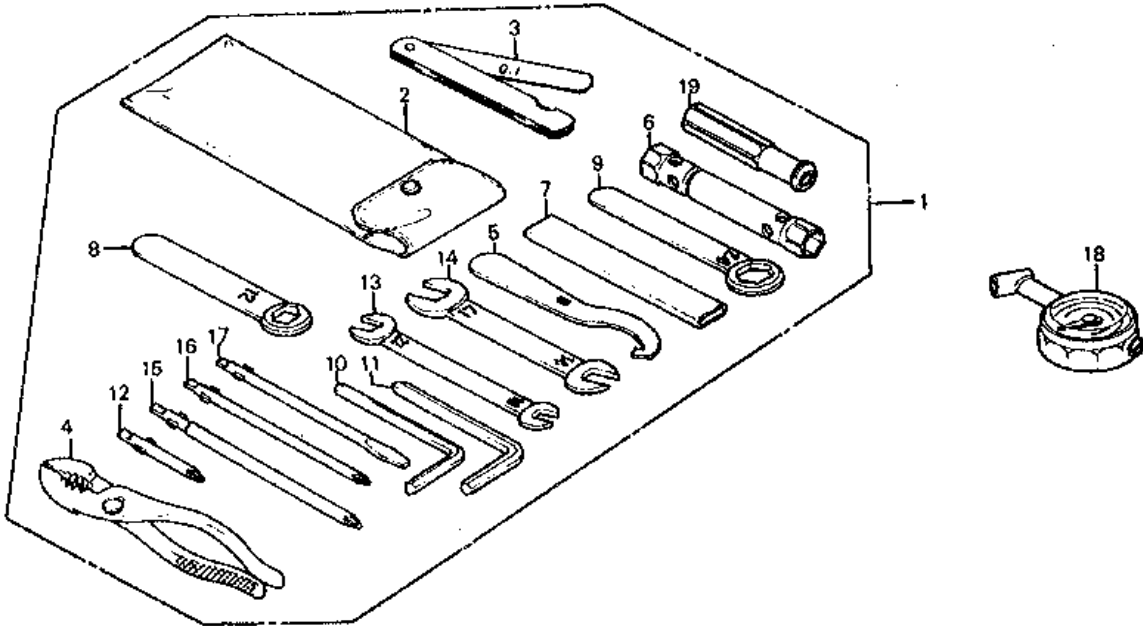
Throttle Body & Intake Manifold



REF#	PART		#REQ
01	INJECTOR ASSY., FUEL	16110-MC7-003	002
02	O-RING (7.8X1.7)	16111-MC7-004	002
03	GROMMET	16112-MC7-003	002
04	WASHER	16170-300-004	003
05	WASHER, FIBER	16189-056-004	004
06	FLANGE, HOLDER	16220-MC7-003	002
07	COVER, HOLDER	16221-MC7-000	002
08	CAP, R. INJECTOR	16312-MC7-000	001
09	CAP, L. INJECTOR	16313-MC7-000	001
10	REGULATOR ASSY.	16850-ME7-003	001
11	MANIFOLD, IN.	17110-ME7-000	001
12	BAND, IN. MANIFOLD	17118-MC7-003	002
13	MOUNT, R.	17123-ME7-000	001
14	MOUNT, L.	17124-ME7-000	001
15	BODY, THROTTLE	17130-ME7-671	001
16	JOINT, PB SENSOR	17132-MC7-003	002
17	JOINT, SENSOR (P2)	17133-MC7-003	001
18	CLIP	17134-MC7-003	001
19	SENSOR, THROTTLE	17135-ME7-671	001
20	SCREW, PLUG	17145-MC7-003	004
21	O-RING (38.8X2.4)	17146-MC7-003	002
22	BOLT (6X16)	17147-MC7-003	002
23	GASKET, SENSOR	17149-MC7-003	001
23	GASKET, SENSOR	17149-PH3-005	001
24	PRE CHAMBER	17150-ME7-000	001
25	O-RING, CHAMBER	17152-MC7-003	001
26	RUB, CHAMBER SETTING	17161-ME7-000	001
27	TUBE	17171-ME7-000	001
28	PIN, DOWEL (8X10)	91103-429-000	002
29	O-RING, SPECIAL	91256-MC7-003	
	(replaces	91256-MC7-004)	001
30	O-RING (16.8X2.4)	91256-166-003	001
31	O-RING (9.6X2.4)	91301-ME7-003	001

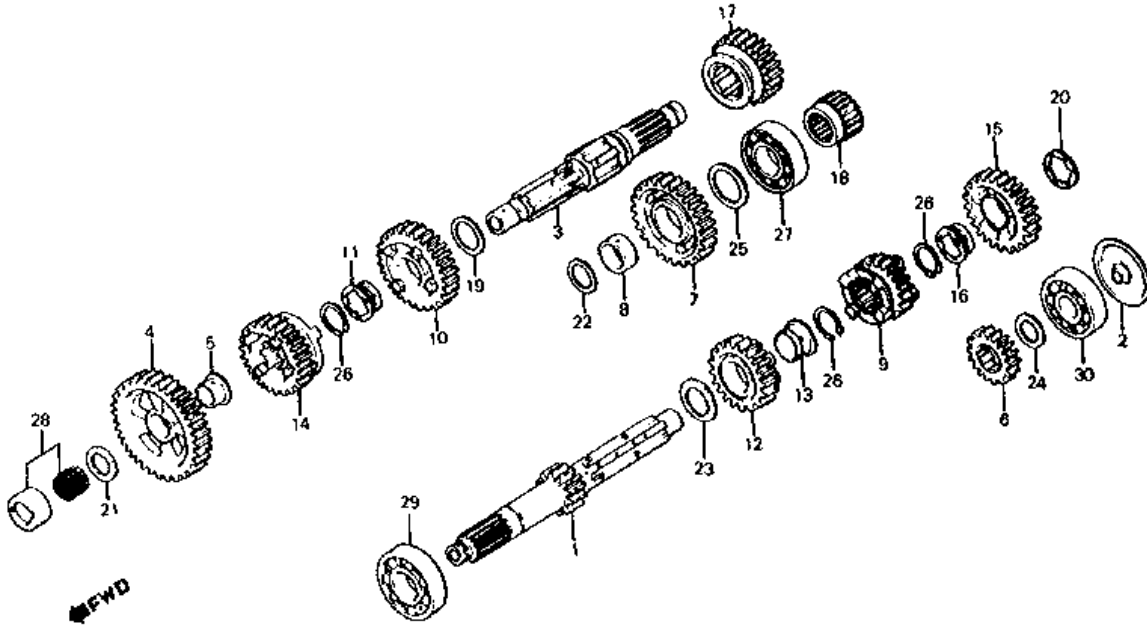
32	BOLT, STUD (6X28)	92700-06028-0B	004
33	SCREW, PAN (5X18)	93500-05018-0A	004
34	SCREW-WASHER (5X12)	93892-05012-08	001
35	NUT, FLANGE (6MM)	94050-06080	004
36	CLIP, TUBE (B7)	95002-02070	006
37	BULK HOSE (3.5X1000)	95005-35001-20M	001
38	BULK HOSE (3.5X8000)	95005-35008-10M	001
39	BULK HOSE (3.5X8000)	95005-35008-10M	001
40	BOLT, FLANGE (6X14)	96001-06014-00	
		(replaces 96000-06014-00)	009
41	BOLT, FLANGE (6X35)	96001-06035-00	
		(replaces 96000-06035-00)	004
42	JET,# 70	99102-GHB-0700	
		(replaces 99101-116-0700)	004

Tools



REF#	PART		#REQ
01	TOOL SET	89010-ME7-000	001
02	BAG, TOOL	89101-371-013	001
02	BAG, TOOL	89101-ME5-670	001
03	GAUGE (0.7MM)	89103-371-000	001
04	PLIERS (150)	89210-422-000	001
05	WRENCH, PIN	89215-422-000	001
06	WRENCH (18.5X17)	89216-415-000	001
06	WRENCH (18.5X17)	89216-MC7-000	001
07	HANDLE (120MM)	89217-422-000	001
08	WRENCH, EYE (12)	89218-MC7-000	001
09	WRENCH, EYE (24MM)	89219-422-000	001
10	WRENCH, HEX. (6MM)	89221-422-000	001
11	WRENCH, HEX. (8MM)	89222-422-000	001
12	SCREWDRIVER 4	89224-MC7-000	001
13	SPANNER (10X12)	89225-422-000	001
14	WRENCH (14X17)	89226-422-000	001
15	SCREWDRIVER 1	89227-MC7-000	001
16	SCREWDRIVER 3	89228-422-000	001
17	SCREWDRIVER 2	89229-422-000	001
18	GAUGE, AIR PRESSURE	89301-MN5-003	001
	(replaces	89301-463-771)	001
19	GRIP	99003-50000	001

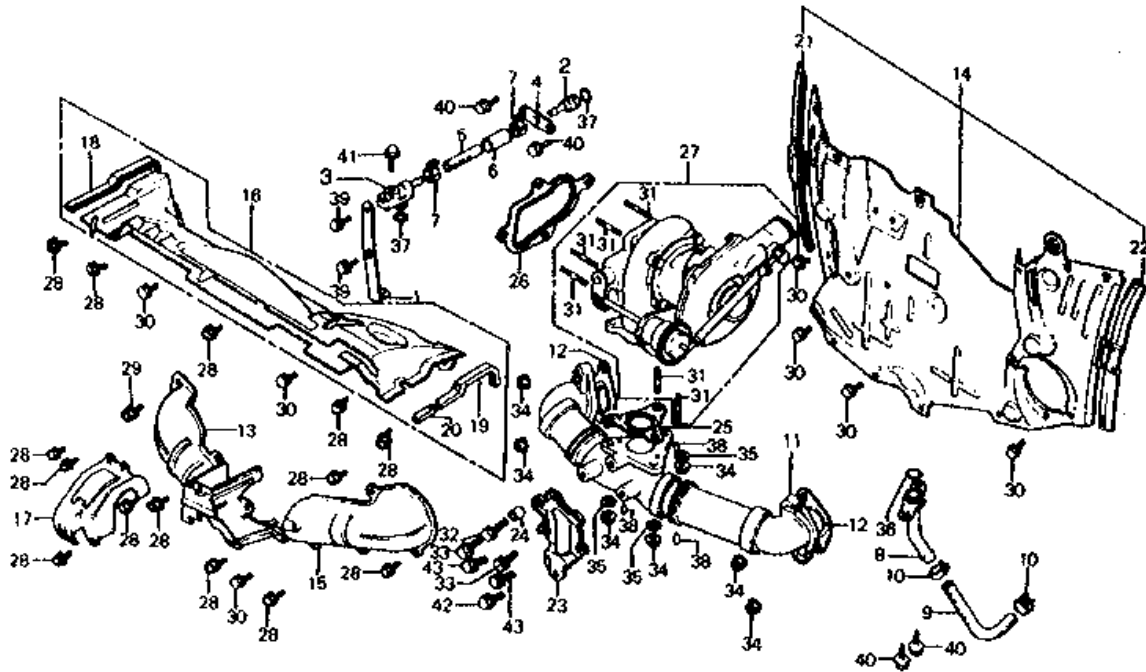
Transmission



REF#	PART		#REQ
01	MAINSHAFT, TRANS	23211-ME7-000	001
02	PLATE, OIL GUIDE	23219-415-000	001
03	COUNTERSHAFT, TRANS	23220-ME7-000	001
04	GEAR (40T)	23421-ME7-000	001
05	BUSH (20MM)	23422-ME7-000	001
06	GEAR (21T)	23431-MC7-000	001
		(replaces 23431-ME7-000)	
07	GEAR (36T)	23441-ME7-000	001
08	BUSH (27.5X31X11.5)	23442-MC7-000	001
09	GEAR (25T)	23451-ME7-000	001
10	GEAR (32T)	23461-MC7-000	001
		(replaces 23461-ME7-000)	
11	BUSH (25X29X11.5)	23462-MC7-000	001
12	GEAR (28T)	23471-MC7-000	001
13	BUSH, SPLINE	23472-MC7-000	001
14	GEAR (29T)	23481-ME7-000	001
15	GEAR (31T)	23491-ME7-610	001
16	BUSH, SPLINE	23492-ME2-000	001
17	GEAR (26T)	23501-ME7-000	001
18	COLLAR, COUNTERSHAFT	23522-415-000	001
19	WASHER (25.2X34)	90446-430-000	001
20	WASHER (25X34)	90452-371-000	001
21	WASHER (20MM)	90452-413-000	001
22	WASHER (27.5MM)	90455-MC7-000	001
23	WASHER C (25MM)	90459-357-000	001
24	WASHER A (20MM)	90461-MC7-000	001
24	WASHER B (20MM)	90462-MC7-000	001
24	WASHER C (20MM)	90463-MC7-000	001
24	WASHER D, THRUST	90464-MC7-000	001
24	WASHER E, THRUST	90465-MC7-000	001
25	WASHER A (25MM)	90466-MC7-000	001
25	WASHER B, THRUST	90467-MC7-000	001
25	WASHER C (25MM)	90468-MC7-000	001
25	WASHER D (25MM)	90469-MC7-000	001
25	WASHER E (25MM)	90471-MC7-000	001
26	CIRCLIP (25MM)	90601-300-000	003

27	BEARING (6205)	91010-MC7-003	001
27	BEARING, RADIAL BALL	91021-KV3-771	001
28	BEARING (20X34X16.8)	91023-MM4-003	
	(replaces	91022-426-008)	001
29	BEARING (6305)	96100-63051-00	001
30	BEARING (6204U)	96140-62040-00	001

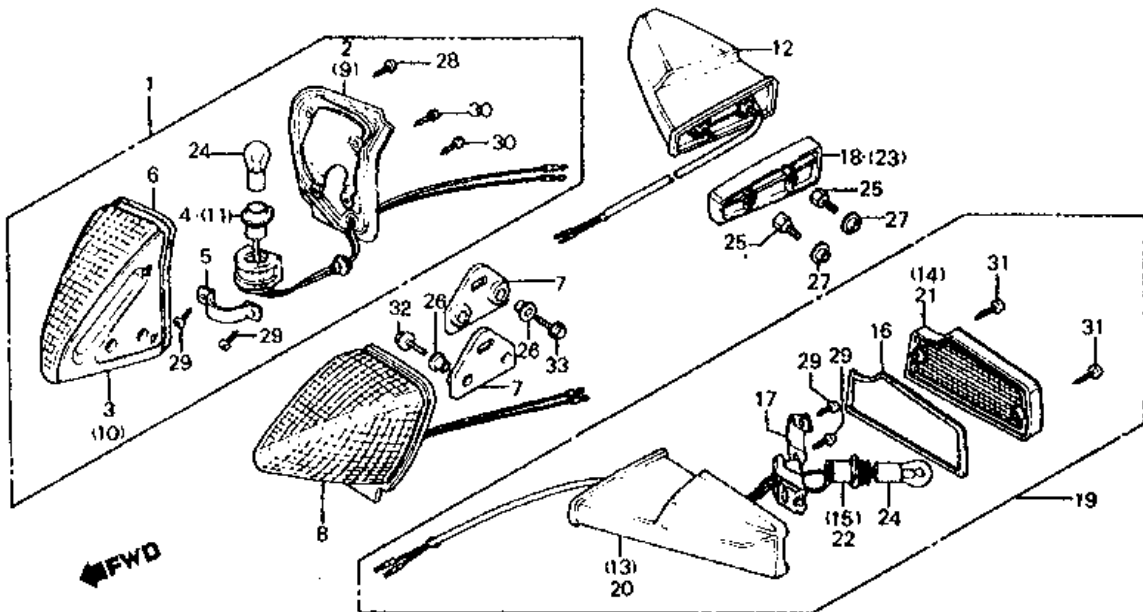
Turbo Pump



REF#	PART		#REQ
01	PLATE	15529-ME7-000	001
02	HOLDER A	15531-ME7-000	001
03	HOLDER B	15533-ME7-000	001
04	PLATE, SET	15534-MC7-000	001
05	HOSE	15538-MC7-000	001
06	PROTECTOR	15539-MC7-000	001
07	CLAMP D, TUBE (8.0)	15541-ME7-000	002
08	JOINT A, OIL RETURN	15570-MC7-000	001
09	HOSE, OIL RETURN	15573-MC7-000	001
10	CLAMP	15576-MC7-000	002
11	MANIFOLD, EX.	18100-ME7-000	001
12	GASKET, EX. MANIFOLD	18139-ME7-000	002
13	COVER, FR.	18141-ME7-000	001
14	COVER, RR.	18142-ME7-000	001
15	COVER, L. FR.	18143-ME7-000	001
16	COVER, ENG (UPPER)	18144-ME7-000	001
17	COVER, TURBOCHARGER	18145-ME7-000	001
18	RUBBER A	18146-MC7-300	001
19	RUBBER B	18147-MC7-300	001
20	RUBBER C	18148-MC7-300	001
21	RUBBER, R. SIDE SEAL	18149-ME7-300	001
22	RUBBER, L. SIDE SEAL	18150-ME7-300	001
23	PLATE, SETTING	18151-ME7-000	001
24	COLR, SETTING PLATE	18155-MC7-000	001
25	GASKET, TURBOCHARGER	18191-ME7-000	001
26	GSKT, EX. PIPE JOINT	18192-ME7-000	001
27	PUMP ASSY., TURBO	18200-ME7-305	
	(replaces	18200-ME7-003)	001
28	BOLT, FLANGE (5X7)	90001-MC7-000	014
29	BOLT, FLANGE (5X8)	90002-MC7-000	001
30	BOLT, SPECIAL (8MM)	90004-MC7-000	007
31	BOLT, STUD (8X32)	90061-MC7-300	007
32	BOLT, SPECIAL (8X26)	90063-MC7-003	001
33	BOLT, SPECIAL (8X15)	90064-MC7-003	002

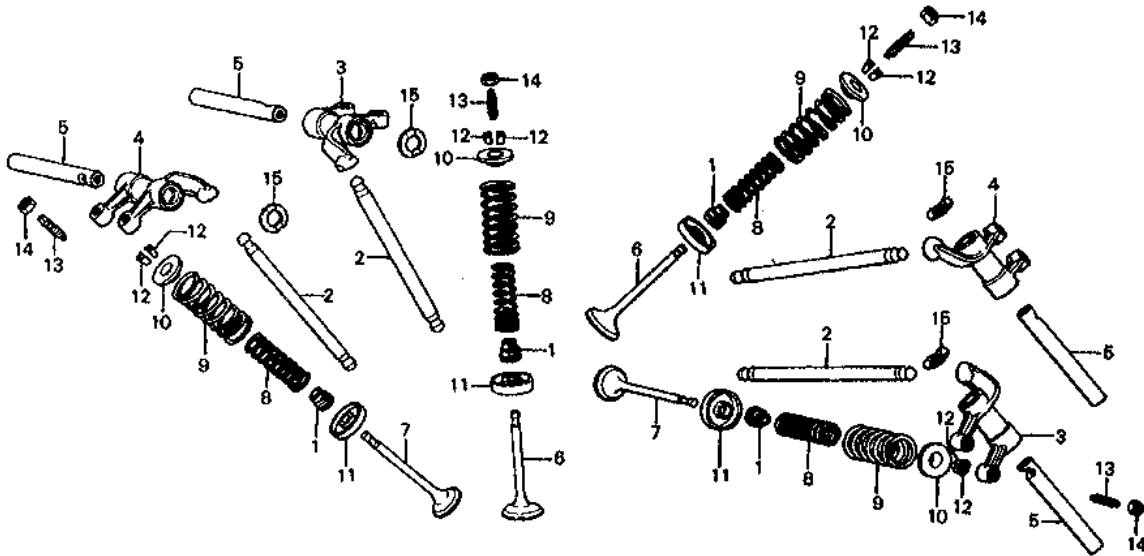
34	NUT, SPECIAL (8MM)	90217-657-000	007
35	WASHER, SPRING (8MM)	90406-MC7-003	003
36	O-RING (15.8X2.5)	91301-MC7-003	
	(replaces	91301-MC7-004)	001
37	O-RING B (6.8X2.5)	91304-MC7-003	002
38	PIN C, DOWEL (4X6.5)	94303-04065	002
39	BOLT, FLANGE (6X10)	95701-06010-00	
	(replaces	95700-06010-00)	002
40	BOLT, FLANGE (6X16)	95701-06016-00	
	(replaces	95700-06016-00)	004
41	BOLT, FLANGE (6X22)	95701-06022-00	
	(replaces	95700-06022-00)	001
42	BOLT, FLANGE (8X18)	95701-08018-00	
	(replaces	95700-08018-00)	001
43	BOLT, FLANGE (8X45)	95701-08045-00	
	(replaces	95700-08045-00)	002

Turn Signals



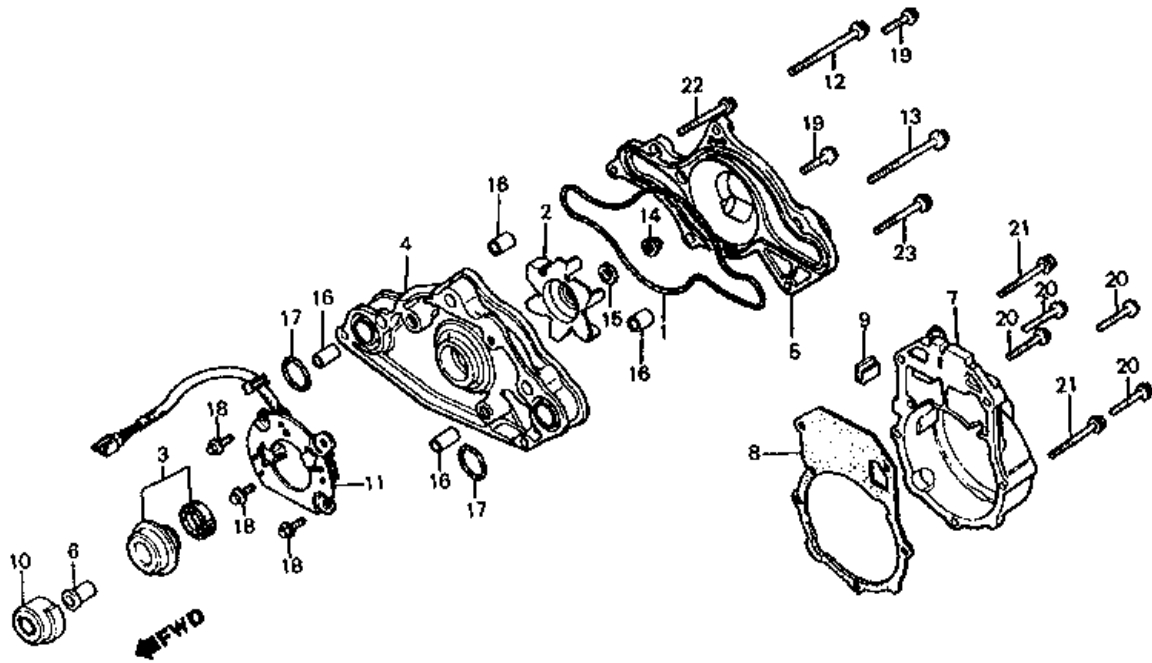
REF#	PART		#REQ
01	TURN SIGNAL, R. FR.	33400-ME7-671	001
02	BASE, R.	33401-ME7-601	001
03	LENS, R.	33402-MC7-671	001
04	CABLE, R.	33403-MC7-611	001
05	HOLDER, SOCKET	33404-MC7-611	002
06	GASKET, TURN SIGNAL	33405-MC7-611	002
07	RUBBER	33445-MC7-000	002
08	TURN SIGNAL, L. FR.	33450-ME7-671	001
09	BASE, L.	33451-ME7-601	001
10	LENS, L.	33452-MC7-671	001
11	CABLE, L.	33453-MC7-611	001
12	TURN SIGNAL, R. RR.	33600-MC7-671	001
13	BASE, R. TURN SIGNAL	33601-MC7-611	001
14	LENS, R. TURN SIGNAL	33602-MC7-671	001
15	SOCKET, R.	33603-MC7-671	001
16	GASKET, TURN SIGNAL	33604-MC7-611	002
17	HOLDER, SOCKET	33605-MC7-601	002
	(replaces 33605-MC7-611)		
18	SPACER, R. RR.	33611-MC7-670	001
19	TURN SIGNAL, L. RR.	33650-MC7-671	001
20	BASE, L. TURN SIGNAL	33651-MC7-611	001
21	LENS, L. TURN SIGNAL	33652-MC7-671	001
22	SOCKET, L.	33653-MC7-671	001
23	SPACER, L. RR.	33661-MC7-670	001
24	BULB (12V23W32CP)	34905-268-671	004
25	BOLT, RR.	90122-MC7-670	004
26	COLLAR (6.2X13)	90501-MA3-720	004
27	COLLAR	90522-170-700	004
28	SCREW, PAN (4X14)	93500-04014-0G	002
29	SCREW, TAP (4X12)	93901-34320	008
30	SCREW, TAP (4X16)	93901-34480	004
31	SCREW, TAP (4X25)	93901-34680	004
32	BOLT, FLANGE (6X25)	95701-06025-00	004
	(replaces 95700-06025-00)		

Valves & Upper Rocker Arms



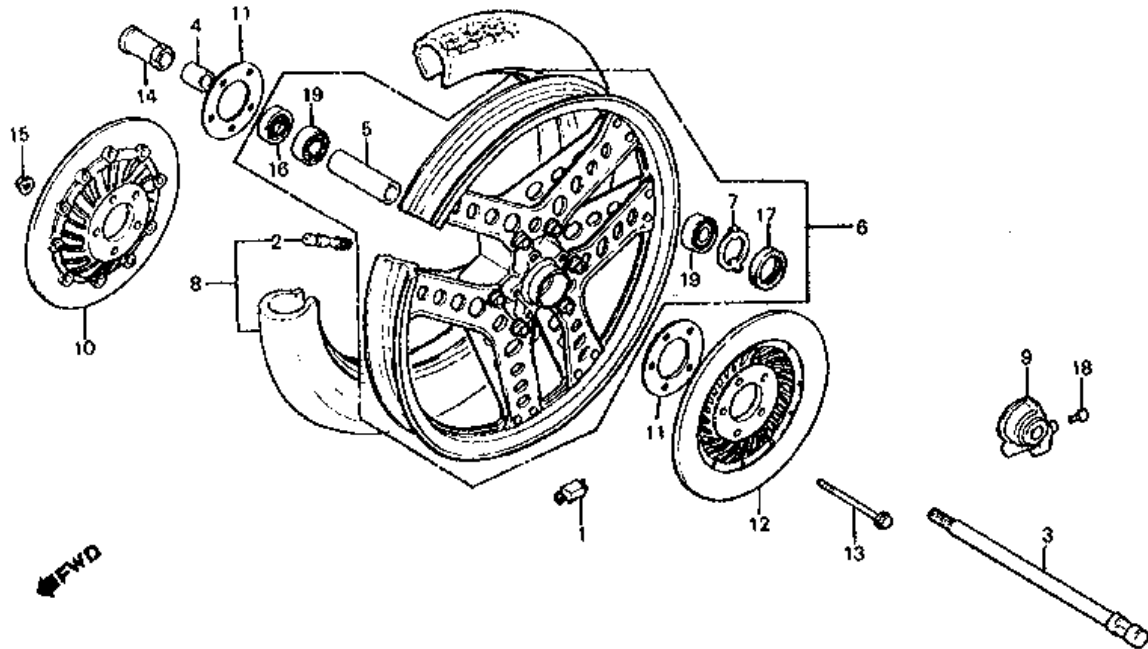
REF#	PART			#REQ
01	SEAL, VALVE STEM	12209-MB9-003		
	(replaces	12209-300-003)		008
02	ROD, PUSH	14410-ME2-000		004
03	ARM A, ROCKER	14420-ME7-000		002
04	ARM B, ROCKER	14430-ME7-000		002
05	SHAFT, ROCKER ARM	14450-MG0-000		004
06	VALVE, IN.	14711-ME7-000		004
07	VALVE, EX.	14721-ME7-000		004
08	SPRING, VALVE	14751-ME7-003		008
09	SPRING, VALVE	14761-415-005		008
10	RETAINER, VLV SPR	14771-410-010		
	(replaces	14771-679-000)		008
11	SEAT, VALVE SPRING	14775-410-010		
	(replaces	14775-300-000)		008
12	COTTER, VALVE	14781-MB9-000		016
13	SCREW, TAPPET ADJ.	90012-415-000		008
14	NUT, TAPPET ADJ.	90206-250-000		
	(replaces	90205-300-000)		008
15	WASHER, WAVE (1.5MM)	90405-415-000		004

Water Pump & Ignition Pulse Generator



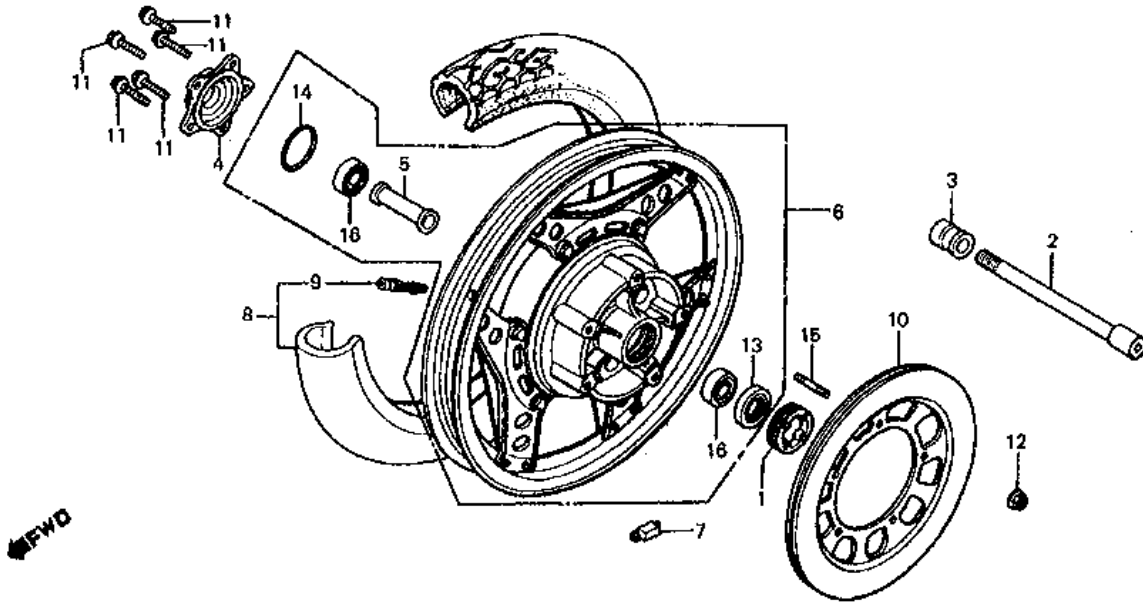
REF#	PART		#REQ
01	GASKET	11396-415-000	001
02	IMPELLER, WATER PUMP	19215-ME7-000	001
03	SEAL, MECHANICAL	19217-657-023	001
04	BODY, WATER PUMP	19221-MC7-000	001
05	COVER, WATER PUMP	19222-ME7-000	001
06	COLLAR, WATER PUMP	19233-MC7-000	001
07	COVER, PULSER	30372-MC7-010	001
	(replaces 30372-MC7-000)		
08	GASKET, PULSER COVER	30373-MC7-306	001
	(replaces 30373-MC7-000)		
09	GROMMET, PULSE COVER	30375-MC7-000	001
10	ROTOR	36141-ME7-000	001
11	GENERATOR, PULSE	36142-MC7-003	001
12	BOLT, FLANGE (8X95)	90067-MC7-000	001
13	BOLT, FLANGE (8X115)	90069-MC7-000	001
14	NUT, CAP (6MM)	90201-415-000	001
15	WASHER (6MM)	90441-706-000	001
16	PIN, DOWEL (10X16)	94301-10160	004
17	O-RING (23X2.8)	94608-50000	002
18	BOLT, FLANGE (6X14)	96001-06014-00	003
	(replaces 96000-06014-00)		
19	BOLT, FLANGE (6X22)	96001-06022-00	002
	(replaces 96000-06022-00)		
20	BOLT, FLANGE (6X25)	96000-06025-00	004
20	BOLT, FLANGE (6X25)	96001-06025-00	004
21	BOLT, FLANGE (6X40)	96001-06040-00	002
	(replaces 96000-06040-00)		
22	BOLT, FLANGE (6X60)	96001-06060-00	001
	(replaces 96000-06060-00)		
23	BOLT, FLANGE (6X80)	96001-06080-07	001
	(replaces 96000-06080-00)		
	(replaces 96000-06080-07)		
23	BOLT, FLANGE (6X80)	96001-06080-00	001
23	BOLT, FLANGE (6X80)	96001-06080-07	001

Wheel, Front & Brake Discs



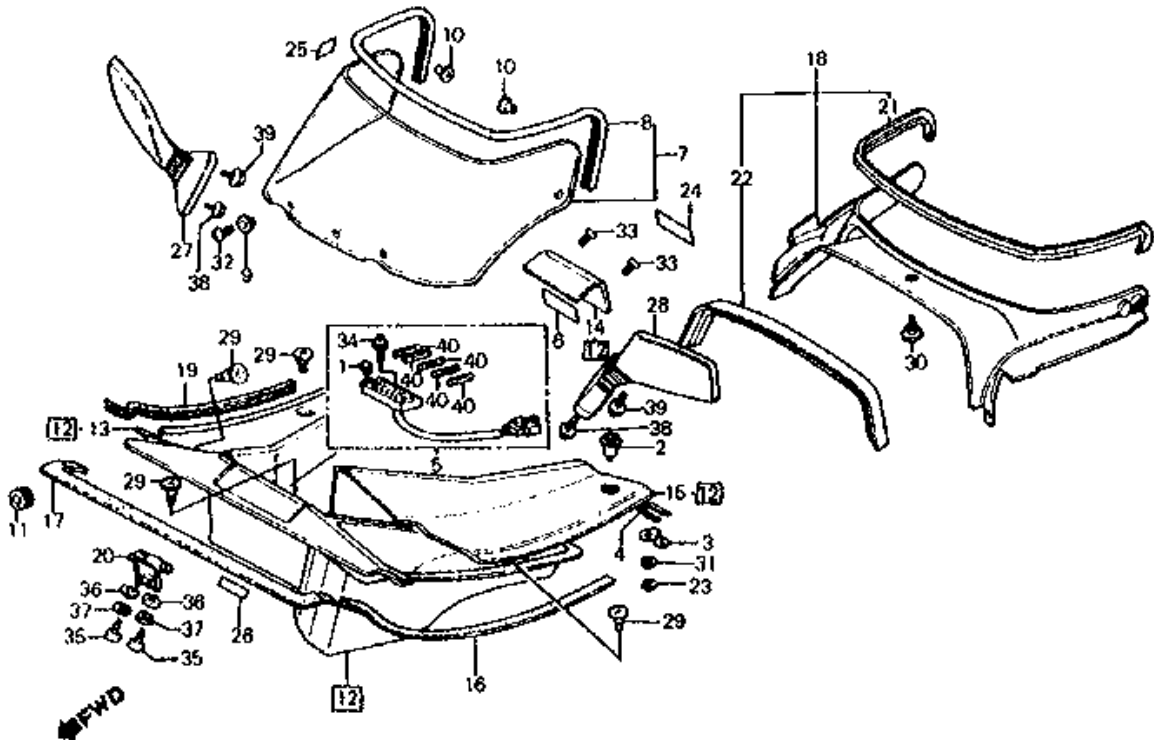
REF#	PART		#REQ
01	WEIGHT (10G)	42704-MC7-000	AR
01	WEIGHT (20G)	42705-MC7-000	AR
01	WEIGHT (30G)	42706-MC7-000	AR
02	VALVE, RIM	42753-425-003	
		(replaces 42753-425-004)	001
03	AXLE, FR. WHEEL	44301-MA4-670	001
04	COLR, FR. WHEEL SIDE	44311-461-770	001
05	COLLAR, FR.	44620-410-000	001
06	WHEEL, FR.	44650-MB7-610	001
07	RETAINER, GEAR BOX	44680-410-000	001
08	TIRE (100/90V18)	44710-MG5-671	001
08	TIRE (100/90V18)	44710-MG5-672	001
09	BOX ASSY.	44800-MC7-013	
		(replaces 44800-MC7-003)	001
10	DISK, R. FR.	45120-MB7-610	001
11	SHIM, DAMPING	45128-445-630	002
12	DISK, L. FR. BRAKE	45220-MB7-610	001
13	BOLT, FLANGE (8X104)	90103-438-000	005
14	NUT, AXLE (12MM)	90306-425-870	
		(replaces 90305-333-000)	001
15	NUT, FLANGE (8MM)	90309-428-731	005
16	DUST SEAL (22X42X7)	91252-MC7-003	001
17	DUST SEAL (40X50X5)	91258-410-013	001
18	SCREW, OVAL (5X20)	93700-05020-0G	001
19	BEARING (6302UU)	96150-63020-10	
		(replaces 96140-63020-10)	002

Wheel, Rear



REF#	PART		#REQ
01	RETAINER, RR.	41231-430-000	001
02	AXLE, RR. WHEEL	42301-ME7-000	001
03	COLLAR, BRAKE SIDE	42311-ME7-000	001
04	FLANGE, FINAL DRIVEN	42615-MB0-700	001
05	COLR, AXLE DISTANCE	42620-ME7-000	001
06	WHEEL, RR.	42650-ME7-670	001
07	WEIGHT (10G)	42704-MC7-000	AR
07	WEIGHT (20G)	42705-MC7-000	AR
07	WEIGHT (30G)	42706-MC7-000	AR
08	TIRE (120/90-17H)	42710-ME7-671	001
08	TIRE (140/90-16)	42710-ME7-672	001
09	VALVE, RIM	42753-425-003	
	(replaces	42753-425-004)	001
10	DISK, RR. BRAKE	43121-MC5-000	
	(replaces	43121-MC7-000)	001
11	BOLT, UBS (10X34)	90130-MC7-000	005
12	NUT, U (6MM)	90301-473-003	
	(replaces	90301-473-013)	005
13	OIL SEAL (28X42X7)	91257-230-003	
	(replaces	91257-230-000)	
	(replaces	91257-230-005)	001
14	O-RING (46.5X3.5)	91358-MB0-000	001
15	BOLT, STUD (6X35)	92712-06035-0E	005
16	BEARING (6303U)	96140-63030-10	002

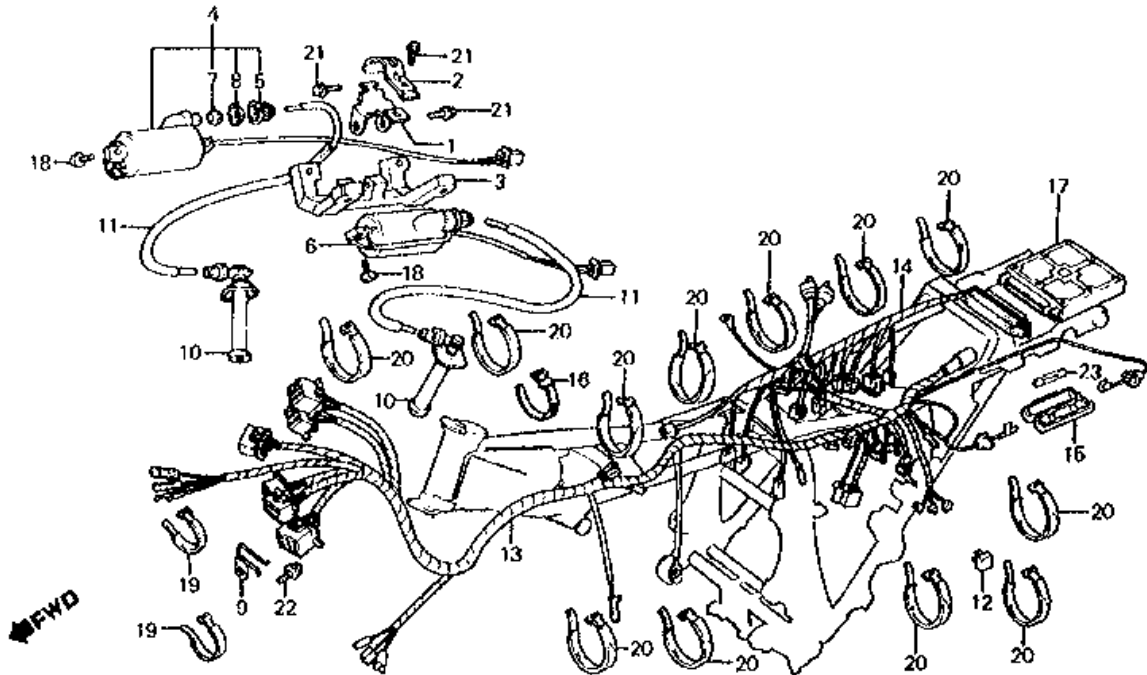
Windscreen & Inner Panel



REF#	PART		#REQ
01	COLR, LEVER SETTING	16572-879-010	001
02	LOCK, SEAT COWL	37220-MC5-003	001
03	PLATE, LOCK	37221-ME7-000	001
04	PLATE, LOCK	37222-MC5-000	001
05	PLATE ASSY., FUSE	38200-MC7-005	001
06	LABEL, FUSE	38215-MC7-610	001
07	WINDSCREEN	64100-ME7-000	001
08	MOUL SET	64105-MC7-505	001
	(replaces	64105-ME7-300)	001
09	COLLAR, WINDSCREEN	64106-MC7-000	002
10	COLLAR	64107-ME7-000	002
11	GROM, PANEL SETTING	64219-ME7-000	001
12	PNL, FAIRING (INNER)	64220-ME7-000	001
13	PANEL B (INNER)	64222-MC7-000	001
14	COVER, FUSE BOX	64223-MC7-000	001
15	COVER, PANEL (INNER)	64224-ME7-000	001
16	RUBBER C, FR.	64225-ME7-000	001
17	RUBBER B, FR.	64226-ME7-000	001
18	VISOR, METER	64240-MC7-000	001
19	RUBBER A, FR.	64244-ME7-000	001
20	BRKT, PANEL (INNER)	64519-MC7-000	001
21	RUBBER	64532-MC7-000	001
22	RUBBER, METER SEAL	64535-MC7-000	001
23	E-CLIP	73146-538-000	001
24	LABEL, FR. *A03*	87517-MB0-770ZC	001
	(replaces	87517-MB0-770)	001
25	LABEL	87522-MA3-700	001
26	LABEL	87523-102-720	001
27	MIRROR ASSY., R.	88110-ME7-013	001
	(replaces	88110-ME7-003)	001
28	MIRROR ASSY., L.	88120-ME7-013	001

29	SCREW, PAN (6X14)	(replaces 88120-ME7-003)	001
		90106-MM4-000	
		(replaces 90110-ME7-000)	004
30	SCREW	90123-MC7-000	001
31	WASHER (10MM)	90535-MA3-000	001
32	SCREW, PAN (6X12)	93500-06012-0A	002
33	SCREW, FLAT (4X12)	93600-04012-0G	002
34	SCREW-WASHER (5X16)	93892-05016-07	002
35	SCREW, TAP (5X12)	93901-25280	002
36	WASHER, FLAT (5MM)	94101-05700	002
37	WASHER, SPRING (5MM)	94111-05700	002
38	BOLT, FLANGE (6X12)	95701-06012-00	
		(replaces 95700-06012-00)	002
39	BOLT, FLANGE (8X12)	95701-08012-00	
		(replaces 95700-08012-00)	002
40	FUSE B (15A)	98200-21500	005

Wire Harness & Ignition Coils



REF#	PART		#REQ
01	BRKT, IGNITION COIL	30403-ME7-000	001
02	BRACKET B	30404-ME7-000	001
03	STAY, IGNITION COIL	30405-ME7-000	001
04	COIL, R. IGNITION	30501-ME7-000	001
05	CAP, SCREW	30501-428-003	002
06	COIL, L. IGNITION	30502-ME7-000	001
07	SEAL, RUBBER	30502-428-003	002
08	WASHER, CAP	30503-428-003	002
09	GUIDE	30515-ME7-000	001
10	CAP ASSY., PLUG	30700-MC7-000	002
11	WIRE, IGNITION	30750-MA0-P00	
		(replaces 30750-MA0-405)	
		(replaces 30751-MC7-000)	002
12	RECTIFIER, SILICON	31700-124-003	
		(replaces 31700-124-008)	001
13	WIRE HARNESS	32100-ME7-000	001
14	SUB-WIRE HARNESS	32101-ME7-000	001
15	CASE, FUSE (10A)	32126-463-770	001
16	BAND B1, CABLE	32161-404-610	001
17	CONTROL UNIT ASSY.	38770-ME7-003	
		(replaces 38770-ME7-000)	001
18	SCREW, PAN (5X22)	93500-05022-0H	004
19	BAND B1, CABLE	32161-404-000	
		(replaces 95014-61100)	002
20	BAND A2, CABLE	95014-61200	011
21	BOLT, FLANGE (6X10)	95701-06010-00	
		(replaces 95700-06010-00)	003
22	BOLT, FLANGE (6X22)	95701-06022-00	
		(replaces 95700-06022-00)	001
23	FUSE B (10A)	98200-21000	001