



INTRODUCTION

This Honda Shop Manual addendum contains information for the 1981 CX500 DELUXE and CX500 CUSTOM. Refer to the base Shop Manual for service procedures and data not included in this addendum.

ALL INFORMATION, ILLUSTRATIONS, DIRECTIONS AND SPECIFICATIONS INCLUDED IN THIS PUBLICATION ARE BASED ON THE LATEST PRODUCT INFORMATION AVAILABLE AT THE TIME OF APPROVAL FOR PRINTING. HONDA MOTOR CO., LTD. RESERVES THE RIGHT TO MAKE CHANGES AT ANY TIME WITHOUT NOTICE AND WITHOUT INCURRING ANY OBLIGATION WHATEVER. NO PART OF THIS PUBLICATION MAY BE REPRODUCED WITHOUT WRITTEN PERMISSION.

HONDA MOTOR CO., LTD.
Service Publications Office

TABLE OF CONTENTS

1. GENERAL INFORMATION	24- 2
SPECIFICATIONS	24- 2
MAINTENANCE SCHEDULE	24- 4
CABLE & HARNESS ROUTING	24- 5
2. INSPECTION AND ADJUSTMENT ..	24- 6
FUEL LINE	24- 6
CARBURETOR SYNCHRONIZATION	24- 6
3. FUEL SYSTEM	24- 7
SPECIFICATIONS	24- 7
FUEL LINE DIAPHRAGM	24- 8
4. FRONT WHEEL/SUSPENSION	24-11
FRONT WHEEL	24-12
FRONT FORKS	24-13
5. SWITCHES	24-21
IGNITION SWITCH	24-21
6. WIRING DIAGRAMS	24-23



1. GENERAL INFORMATION

SPECIFICATIONS

ITEM		SPECIFICATIONS		
		CX500 DELUXE	CX500 CUSTOM	
DIMENSIONS	Overall length	2,185 mm (86.0 in)	2,160 mm (85.0 in)	
	Overall width	865 mm (34.1 in)	885 mm (34.8 in)	
	Overall height	1,165 mm (45.9 in)	1,170 mm (46.1 in)	
	Wheelbase	1,455 mm (57.3 in)	1,460 mm (57.5 in)	
	Seat height	800 mm (31.5 in)	795 mm (31.3 in)	
	Foot peg height	335 mm (13.2 in)	330 mm (13.0 in)	
	Ground clearance	145 mm (5.7 in)	145 mm (5.7 in)	
	Dry weight	205 kg (452 lb)	202 kg (445 lb)	
FRAME	Type	Diamond		
	Front suspension, travel	Telescopic fork, 140.0 mm (5.5 in)		
	Rear suspension, travel	Swingarm, 85 mm (3.3 in)		
	Front tire size	3.50S19-4PR		
	Rear tire size	130/90-16 67S		
	Cold tire pressures	Up to 90 kg (200 lbs) load	Front Rear	2.0 kg/cm ² (28 psi) 2.0 kg/cm ² (28 psi)
		Up to vehicle capacity load	Front Rear	2.0 kg/cm ² (28 psi) 2.25 kg/cm ² (32 psi)
	Front brake, lining swept area	Disc brake, 600 cm ² (93.0 sq in)		
Rear brake, lining swept area	Internal expanding shoes, 201 cm ² (31.2 sq in)			
Fuel capacity	Front	17 liters (4.5 US gal)	12 liters (3.2 US gal)	
	Rear	3.5 liters (0.9 US gal)	2.5 liters (0.7 US gal)	
Caster angle	63°15'			
Trail	105 mm (3.9 in)			
Front fork oil capacity	185 cc (6.3 oz)			
Front fork air pressure	0.7–1.1 kg/cm ² (10–16 psi)			
ENGINE	Type	Liquid cooled 4-stroke OHV		
	Cylinder arrangement	2 cylinder transverse V		
	Bore and stroke	78 x 52 mm (3.07 x 2.04 in)		
	Displacement	497 cc (30.3 cu in)		
	Compression ratio	10 : 1		
	Valve train	Silent chain driven camshaft and push rod		
	Oil capacity	Before disassembly	3.0 liters (3.2 US qt)	
		After draining	2.5 liters (2.6 US qt)	
	Lubrication system	Forced pressure and wet sump		
	Cooling system capacity	2.0 liters (0.52 US gal)		
	Air filtration	Paper		
	Cylinder compression	12 kg/cm ² (171 psi)		
	Intake valve	Opens	6° BTDC (at 1 mm lift), 79° BTDC (at 0 lift)	
		Closes	46° ABDC (at 1 mm lift), 123° ABDC (at 0 lift)	
	Exhaust	Opens	46° BBDC (at 1 mm lift), 114° BBDC (at 0 lift)	
		Closes	6° ATDC (at 1 mm lift), 85° ATDC (at 0 lift)	
	Valve clearance	IN	0.08 mm (0.003 in)	
EX		0.10 mm (0.004 in)		
Engine weight	65 kg (143.3 lb)			
Idle speed	1,100 ± 100 rpm			



ITEM		SPECIFICATIONS																																	
		CX500 DELUXE			CX500 CUSTOM																														
CARBURETION	Carburetor type	CV 34 mm (1.3 in)																																	
	Identification number	VB28A			VB25A																														
	Pilot screw Float level	See page 23-9 15.5 ± 1 mm (0.61 ± 0.04 in)																																	
DRIVE TRAIN	Clutch	Wet, multi-plate																																	
	Transmission	5-speed, constant-mesh																																	
	Primary reduction	2.242																																	
	Gear ratio I	2.733																																	
	Gear ratio II	1.850																																	
	Gear ratio III	1.416																																	
	Gear ratio IV	1.148																																	
	Gear ratio V	0.931																																	
	Final reduction Gear shift pattern	3.091 (11/34) Left foot operated return system 1-N-2-3-4-5																																	
ELECTRICAL	Ignition	CDI																																	
	Ignition timing "F" mark	15° BTDC/1,100 ± 100 rpm																																	
	Full advance	37° ± 3° BTDC																																	
	RPM from "F" to full advance	1,750-6,000 rpm																																	
	Starting system	Starting motor only																																	
	Generator	Three phase A.C. generator 170W/5,000 rpm																																	
	Battery capacity	12V-14AH																																	
	Spark plug	<table border="1" style="width:100%; border-collapse: collapse;"> <thead> <tr> <th></th> <th colspan="2">For cold climate below 5°C (41°F)</th> <th colspan="2">Standard</th> <th colspan="2">For extended high speed riding</th> </tr> <tr> <th></th> <th>ND</th> <th>NGK</th> <th>ND</th> <th>NGK</th> <th>ND</th> <th>NGK</th> </tr> </thead> <tbody> <tr> <td>USA model</td> <td>X22ES-U</td> <td>D7EA</td> <td>X24ES-U</td> <td>D8EA</td> <td>X27ES-U</td> <td>D9EA</td> </tr> <tr> <td>Canadian model</td> <td>X22ESR -U</td> <td>DR7ES</td> <td>X24ESR -U</td> <td>DR8ES -L</td> <td>X27ESR -U</td> <td>DR8ES</td> </tr> </tbody> </table>							For cold climate below 5°C (41°F)		Standard		For extended high speed riding			ND	NGK	ND	NGK	ND	NGK	USA model	X22ES-U	D7EA	X24ES-U	D8EA	X27ES-U	D9EA	Canadian model	X22ESR -U	DR7ES	X24ESR -U	DR8ES -L	X27ESR -U	DR8ES
		For cold climate below 5°C (41°F)		Standard		For extended high speed riding																													
		ND	NGK	ND	NGK	ND	NGK																												
USA model	X22ES-U	D7EA	X24ES-U	D8EA	X27ES-U	D9EA																													
Canadian model	X22ESR -U	DR7ES	X24ESR -U	DR8ES -L	X27ESR -U	DR8ES																													
Spark plug gap	0.6-0.7 mm (0.024-0.028 in)																																		
Fuse	30A (main), 10A (sub)																																		
LIGHTS	Headlight (high/low beam)	60/55W H4 Bulb (Phillips 12342/99 or equivalent)																																	
	Tail/stoplight	8/27W (3/32 cp SAE NO. 1157)																																	
	Turn signal light (front/rear)	23/23W (32/32 cp SAE NO. F. 1034, R. 1073)																																	
	Speedometer light	3.4W (2 cp SAE NO. 57)																																	
	Tachometer light	3.4W (2 cp SAE NO. 57)																																	
	Neutral indicator	3.4W (2 cp SAE NO. 57)																																	
	Turn signal indicator	3.4W (2 cp SAE NO. 57)																																	
	High beam indicator Running light	3.4W (2 cp SAE NO. 57) 8W (3 cp SAE NO. 1034)																																	



MAINTENANCE SCHEDULE

Perform the PRE-RIDE INSPECTION in the Owner's Manual at each scheduled maintenance.

I : INSPECT AND CLEAN, ADJUST, LUBRICATE OR REPLACE IF NECESSARY

C: CLEAN

R: REPLACE

A: ADJUST

L: LUBRICATE

ITEM	FREQUENCY	WHICHEVER COMES FIRST ↓ EVERY	ODOMETER READING [NOTE 3]							REFER TO PAGE		
			600 mi. (1,000 km)	3,750 mi. (6,000 km)	7,500 mi. (12,000 km)	11,250 mi. (18,000 km)	15,000 mi. (24,000 km)	18,750 mi. (30,000 km)	22,500 mi. (36,000 km)			
EMISSION RELATED ITEMS	* FUEL LINES				I			I		I	3- 3	
	* THROTTLE OPERATION		I		I			I		I	3- 5	
	* CARBURETOR-CHOKE				I			I		I	3- 6	
	AIR CLEANER	NOTE 1		C	R	C	R	C	R	C	R	3- 2
	CRANKCASE BREATHER	NOTE 2		C	C	C	C	C	C	C	C	3- 3
	SPARK PLUGS			R	R	R	R	R	R	R	R	23- 6
	* VALVE CLEARANCE		I	I	I		I		I		I	3- 4
	ENGINE OIL	YEAR	R		R		R		R		R	2- 2
	ENGINE OIL FILTER	YEAR	R		R		R		R		R	2- 2
	* CAM CHAIN TENSION		A	A	A	A	A	A	A	A	A	3- 5
	* CARBURETOR-SYNCHRONIZE		I		I		I		I		I	24- 6
	* CARBURETOR-IDLE SPEED		I	I	I	I	I	I	I	I	I	3- 6
	RADIATOR COOLANT									R		3- 8 9- 3
	* RADIATOR CORE					I		I		I		3- 8
* COOLING SYSTEM, HOSES & CONNECTIONS		I		I		I		I		I	3- 8	
NON-EMISSION RELATED ITEMS	* DRIVE SHAFT JOINT				L		L		L		2- 3	
	FINAL DRIVE OIL				I		I		R		2- 3	
	BATTERY	MONTH	I	I	I	I	I	I	I	I	3- 9	
	BRAKE FLUID (FRONT)	MONTH 2 YEARS *R	I	I	I	I	I	I	I	*R	3- 9	
	BRAKE SHOE/PAD WEAR			I	I	I	I	I	I	I	3-11	
	BRAKE SYSTEM (REAR)		I		I		I		I		3-11	
	* BRAKE LIGHT SWITCH		I		I		I		I		3-12	
	* HEADLIGHT AIM		I		I		I		I		3-13	
	CLUTCH		I	I	I	I	I	I	I	I	3-13	
	SIDE STAND				I		I		I		3-14	
	* SUSPENSION		I		I		I		I		3-14	
	* NUTS, BOLTS, FASTENERS		I		I		I		I		3-15	
** WHEELS		I		I		I		I		3-15		
** STEERING HEAD BEARING		I		I		I		I		3-15		

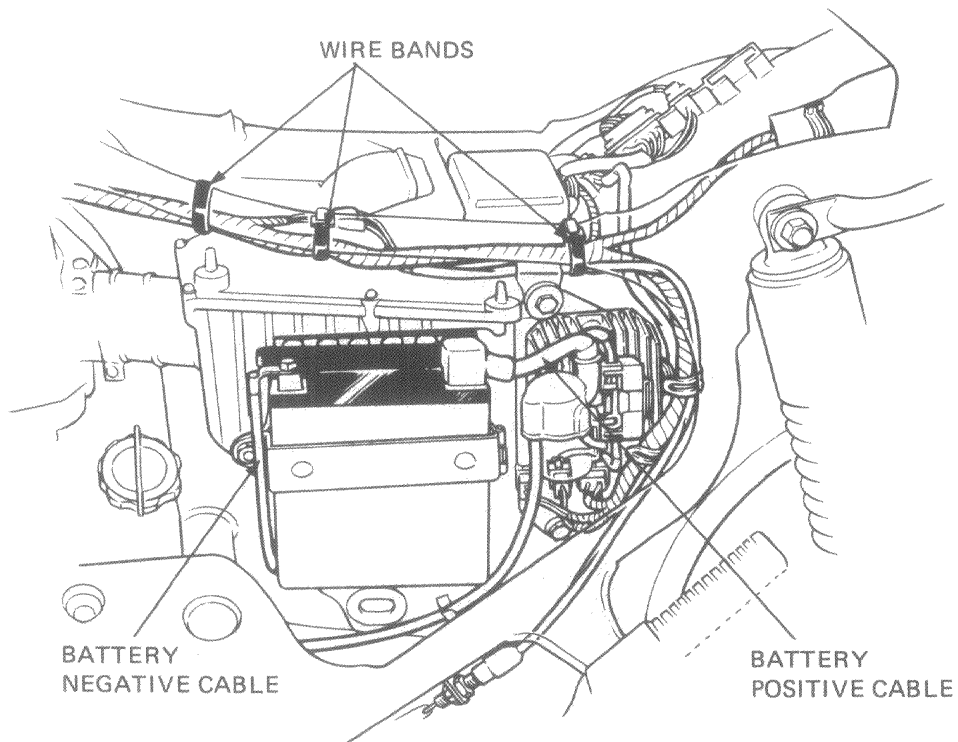
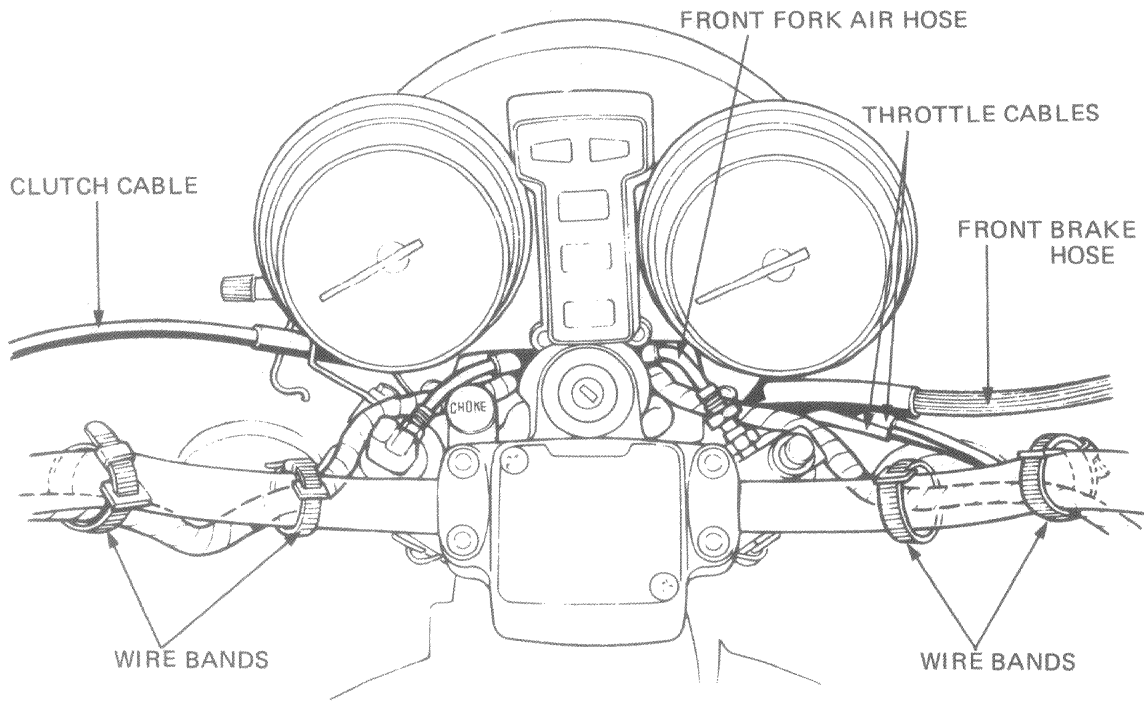
* SHOULD BE SERVICED BY AN AUTHORIZED HONDA DEALER, UNLESS THE OWNER HAS PROPER TOOLS AND SERVICE DATA AND IS MECHANICALLY QUALIFIED.

** IN THE INTEREST OF SAFETY, WE RECOMMEND THESE ITEMS BE SERVICED ONLY BY AN AUTHORIZED HONDA DEALER.

- NOTE:
1. Service more frequently when riding in dusty areas.
 2. Service more frequently when riding in rain or at full throttle, or after being washed or overturned.
 3. For higher odometer readings, repeat at the frequency interval established here.



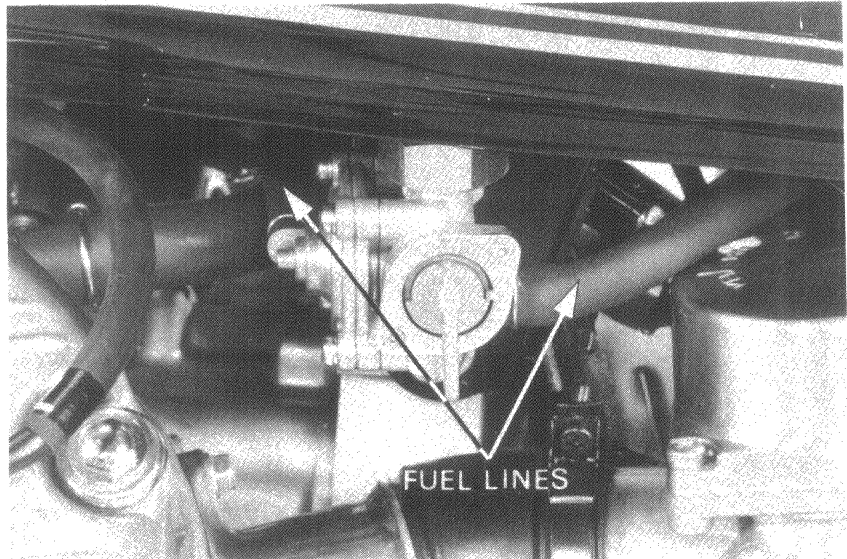
CABLE AND HARNESS ROUTING





2. INSPECTION AND ADJUSTMENT FUEL LINE

Replace any parts which show deterioration, damage or leakage.

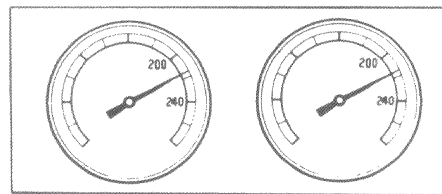


CARBURETOR SYNCHRONIZATION

NOTE

This adjustment is performed with engine at normal operating temperature, transmission in neutral, and vehicle on center stand.

MUST BE WITHIN 40mm (1.6 in) Hg OF EACH OTHER



Remove the plugs from the carburetor spacers and install adapters.
Connect the vacuum gauges. (see page 3-7).

Start the engine and adjust the idle speed to $1,100 \pm 100$ rpm.

The difference of vacuum between cylinders should be within 40 mm (1.6 in) Hg.

• ADJUSTMENT

Stop the engine and remove the seat and fuel tank.

Prepare a longer fuel tube and connect it between the fuel tank and carburetor.

Position the tank higher than normal.

Start the engine and adjust the idle speed to $1,100 \pm 100$ rpm.

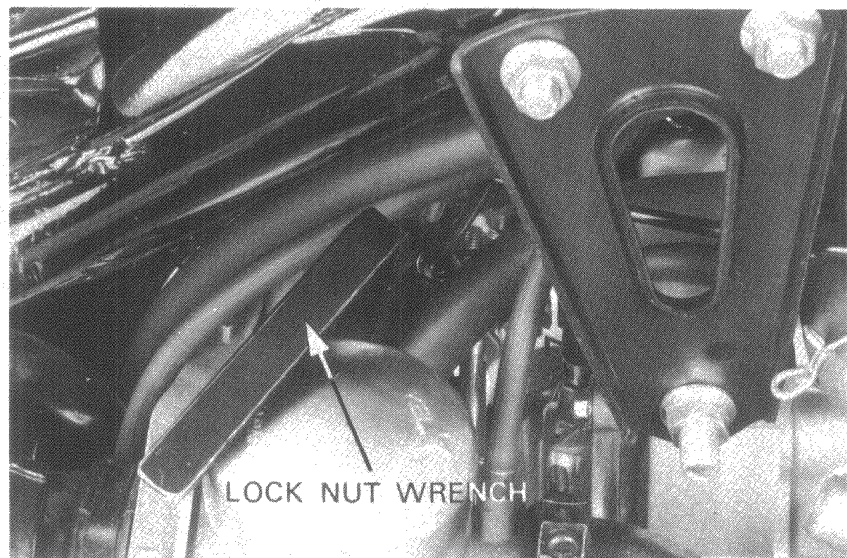
Loosen the adjusting screw lock nut.

Balance the vacuum between cylinders to within 40 mm (1.6 in) Hg of each other, by turning the adjusting screw. The No. 1 carb is the base and cannot be adjusted.

Hold the adjusting screw, and tighten the lock nut.

Recheck the synchronization and idle speed.

Reinstall the fuel tank and seat.





3. FUEL SYSTEM

WORKING PRACTICE

- The fuel valve is equipped with a fuel line diaphragm. After carburetor overhaul, it is necessary to crank the engine for 2-3 seconds, three times with the throttle fully closed to fill the float chambers.
- For carburetor adjustments, refer to section 4 and the '80 addendum.
- The pilot screw is factory pre-set and should not be removed unless the carburetor is overhauled.

TROUBLE SHOOTING

Fuel Line Diaphragm

- Fuel not reaching carburetor
 1. Fuel line diaphragm vent tube clogged.
 2. Fuel line diaphragm vacuum tube clogged.
 3. Clogged fuel line diaphragm.
 4. Clogged fuel line diaphragm check valve.

SPECIFICATIONS

[] Canada Model

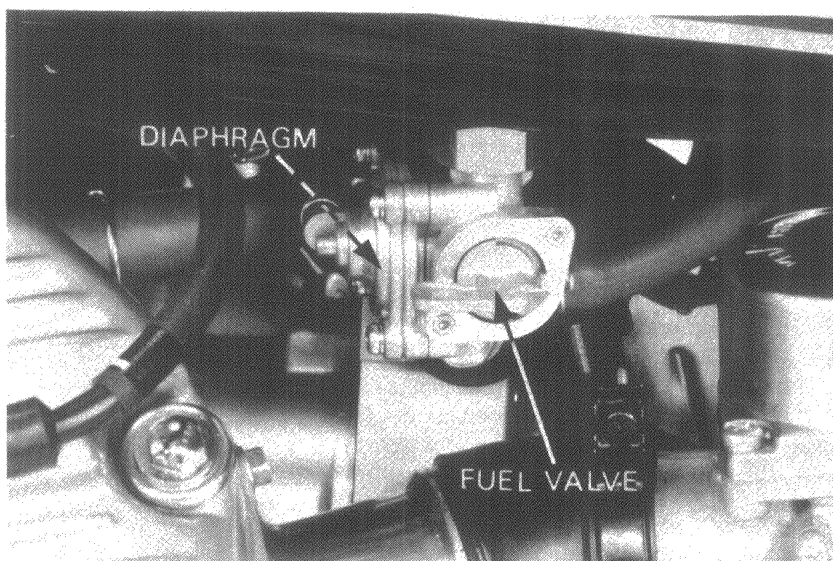
ITEM	CX500 DELUXE	CX500 CUSTOM
Identification mark	VB28A [VB28B]	VB25A [VB25B]
Venturi diameter	34 mm (1.3 in)	←
Idle speed	1,100 ± 100 rpm	←
Fast idle speed	1,100 – 1,500 rpm	←
Float level	15.5 ± 1 mm	←
Pilot screw opening	See page 23-9	←
Main jets	Primary # 78	←
	Secondary #115	←
Throttle grip free play	2 – 6 mm (1/8 – 1/4 in)	←



FUEL LINE DIAPHRAGM

REMOVAL

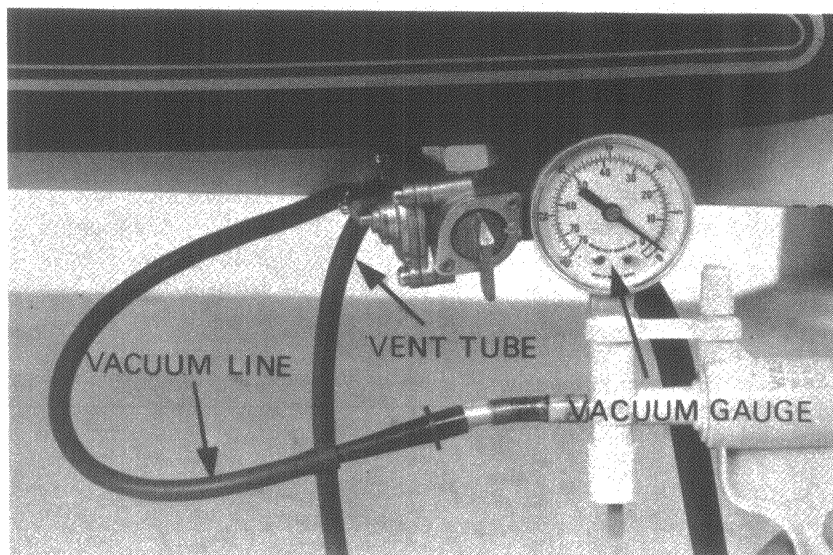
Turn the fuel valve to OFF.
 Remove the seat.
 Disconnect the fuel line, vacuum line and air vent tube.
 Remove the fuel tank.



INSPECTION

Place a suitable drainage container under the fuel line.
 Turn the fuel valve to ON.
 If fuel comes out of the fuel line, replace the fuel line diaphragm.

Connect a vacuum gauge to the diaphragm vacuum outlet. Fuel should flow from the fuel line when 12–20 mm Hg (0.48–0.8 in Hg) of vacuum is applied.
 If flow is restricted, replace the fuel line diaphragm.



INSTALLATION

Installation of the fuel line diaphragm is the reverse order of removal.

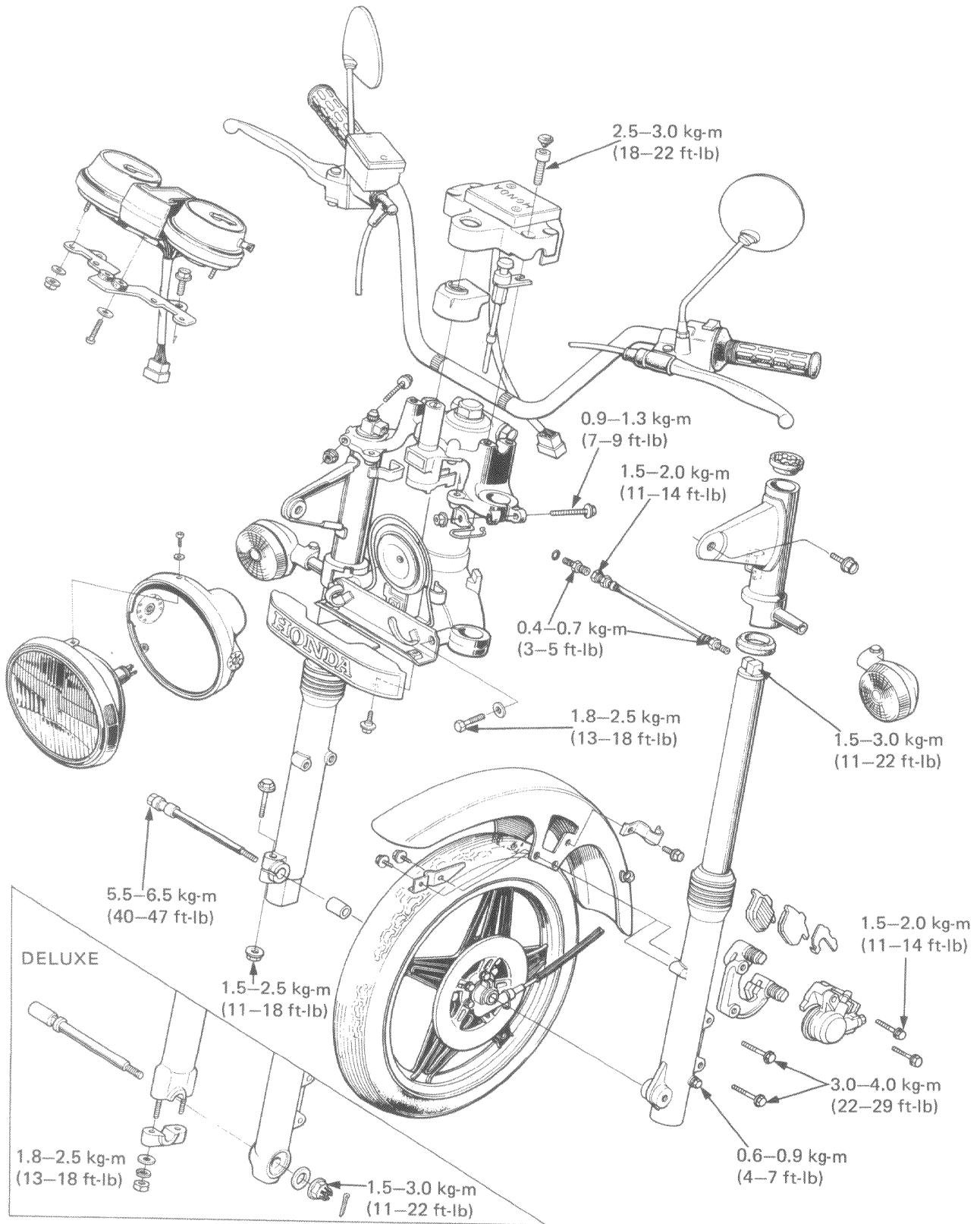
NOTE

Be sure all fuel line, vacuum line and air vent tube connections are tight and not leaking.



HONDA
CX500

'81 ADDENDUM





4. FRONT WHEEL/SUSPENSION

SERVICE INFORMATION

WORKING PRACTICE

- When removing the front forks, release the air in front fork tubes by depressing the air valve on the right front fork.

SPECIFICATIONS

ITEM	STANDARD		SERVICE LIMIT	
	CX500 DELUXE	CX500 CUSTOM	CX500 DELUXE	CX500 CUSTOM
Fork spring free length	565.2 mm (22.25 in)	Spring A 100.7 mm (3.96 in)	556.6 mm (21.9 in)	Spring A 96.7 mm (3.8 in)
		Spring B 503.1 mm (19.8 in)		Spring B 495.1 mm (19.5 in)
Front fork tube O.D.	32.950 – 32.975 mm (1.297 – 1.298 in)	34.950 – 34.975 mm (1.396 – 1.377 in)	32.90 mm (1.295 in)	34.90 mm (1.374 in)
Fork tube run out	_____	_____	0.2 mm (0.01 in)	← _____
Fork fluid capacity	185 cc (6.3 oz)	220 cc (7.5 oz)	_____	_____
Fork air pressure	0.7 – 1.1 kg/cm ² (10 – 16 psi)	← _____	_____	_____

TORQUE VALUES

DELUXE: Front axle nut	5.5–6.5 kg-m (40–47 ft-lb)
DUSTOM: Front axle	5.5–6.5 kg-m (40–47 ft-lb)
DELUXE: Axle holder	1.8–2.5 kg-m (13–18 ft-lb)
CUSTOM: Axle holder	1.5–2.5 kg-m (11–18 ft-lb)
Fork bridge bolt	0.9–1.3 kg-m (7– 9 ft-lb)
Steering stem pinch bolt	1.8–2.5 kg-m (13–18 ft-lb)
Fork cap bolt	1.5–3.0 kg-m (11–22 ft-lb)
Fork drain bolt	0.6–0.9 kg-m (4– 7 ft-lb)
Fork socket bolt	1.5–2.5 kg-m (11–18 ft-lb)
Air hose: right	1.5–2.0 kg-m (11–14 ft-lb)
left	0.4–0.7 kg-m (3– 5 ft-lb)
Air hose connector	0.4–0.7 kg-m (3– 5 ft-lb)

TROUBLESHOOTING

Soft Suspension

1. Weak springs
2. Insufficient oil in fork tubes
3. Front fork air pressure incorrect

Hard Suspension

1. Incorrect oil in front forks
2. Front fork air pressure incorrect

Front Suspension Noise

1. Worn slider or tube bushing
2. Insufficient oil in fork tubes
3. Loose front fork fasteners
4. Lack of grease in speedometer gearbox

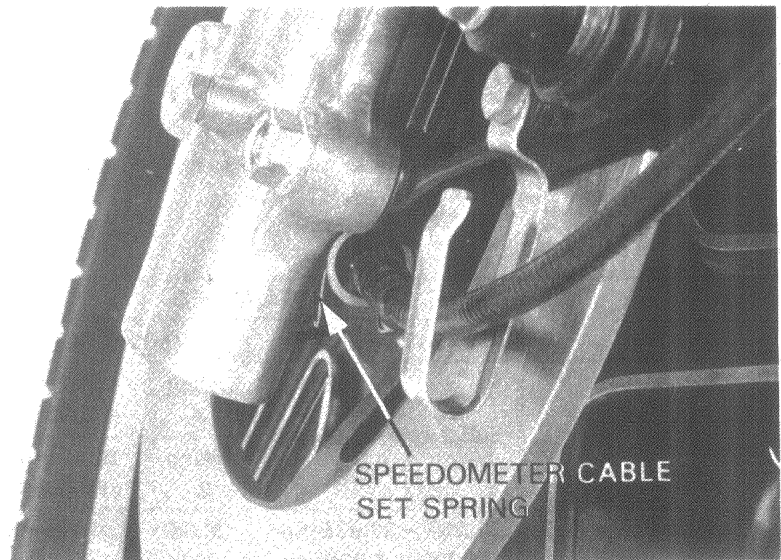


CX500 CUSTOM : FRONT WHEEL

REMOVAL

Raise the front wheel off the ground by placing a support block under the engine.

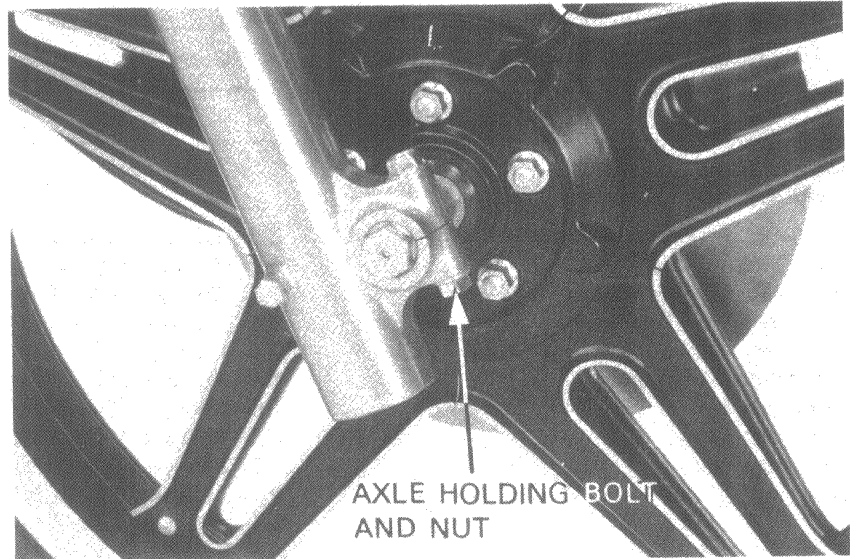
Disconnect the speedometer cable by expanding the speedometer cable set spring.



Remove the front axle holding bolt and nut. Unscrew and pull out the front axle. Remove the front wheel.

NOTE

Do not operate the front brake lever after removing the front wheel. To do so will cause difficulty when refitting the brake disc between the brake pads.



INSTALLATION

Install the front wheel by inserting the front axle through the right fork leg and wheel hub.

Screw the axle into the left fork leg.

NOTE

Make sure the speedometer gearbox is perpendicular to the left fork leg.

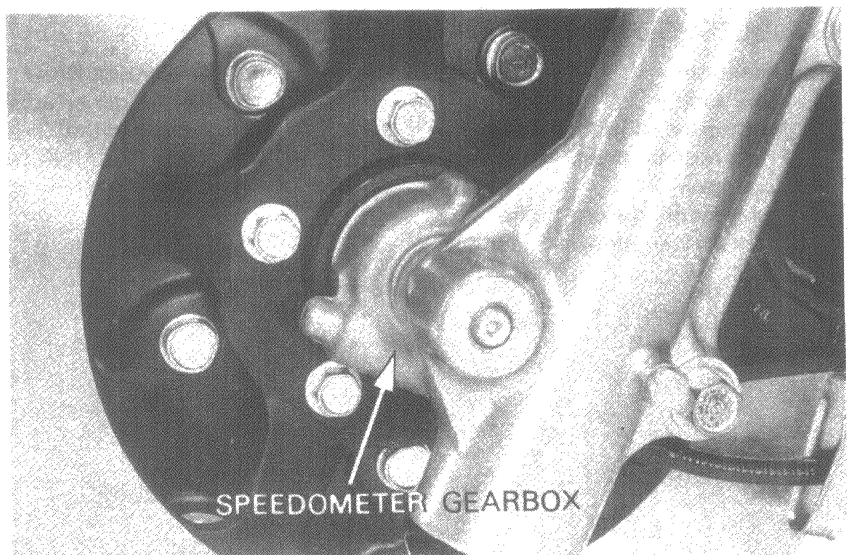
Tighten the axle to the specified torque.

TORQUE: 5.5–6.5 kg-m (40–47 ft-lb)

Install the axle holding bolt and tighten the nut to the specified torque.

TORQUE: 1.5–2.5 kg-m (11–18 ft-lb)

After installing the wheel, apply the brake several times and check for free wheel rotation when released.

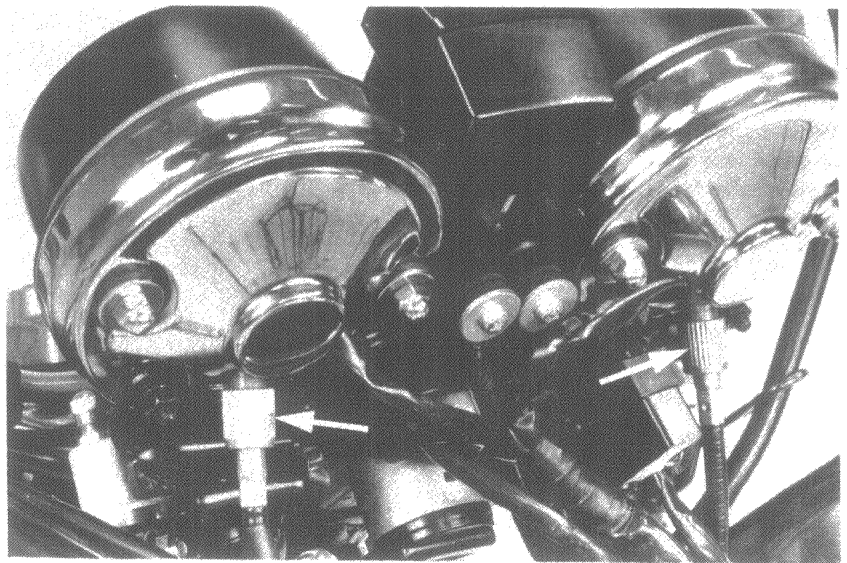




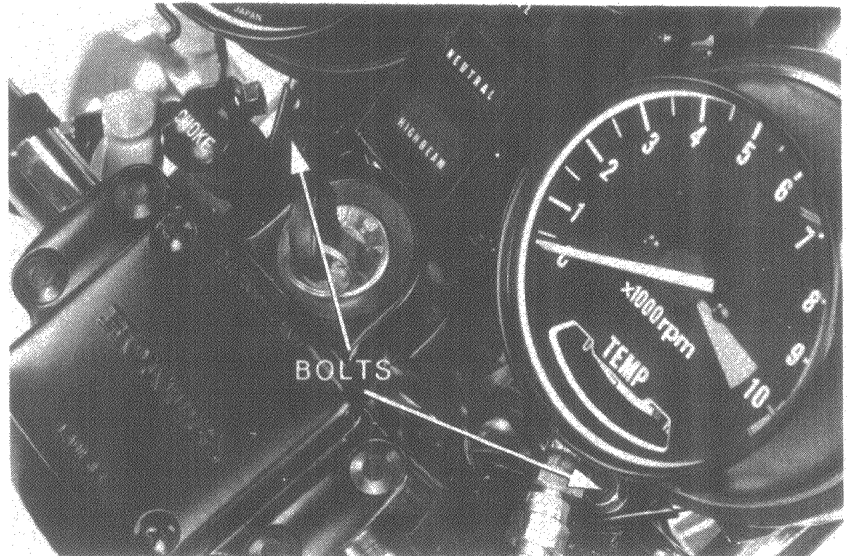
FRONT FORKS

REMOVAL

Remove the speedometer and tachometer cable nuts.



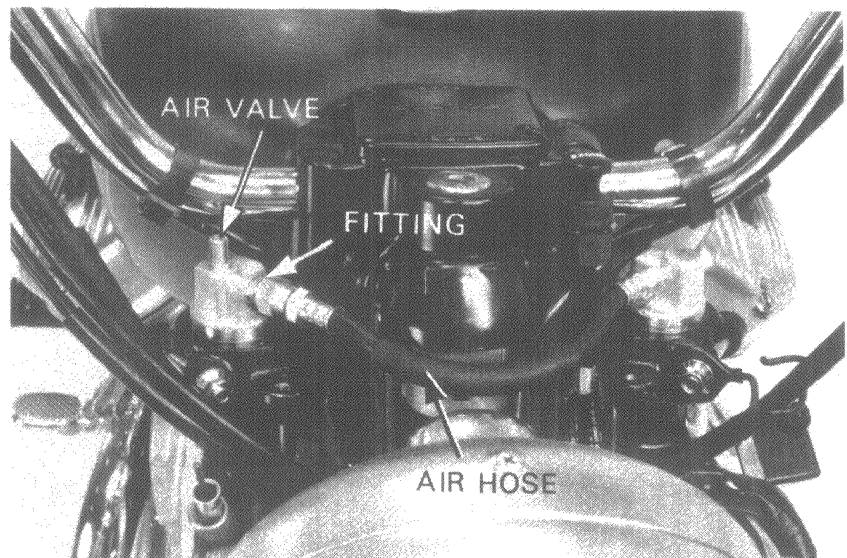
Remove the instrument cluster mounting bolts and the instrument cluster.



Remove the air valve cap from the air valve on the right fork and release the air in the fork tubes by pressing in on the valve stem. Disconnect the air hose and remove the connectors from the right and left forks.

WARNING

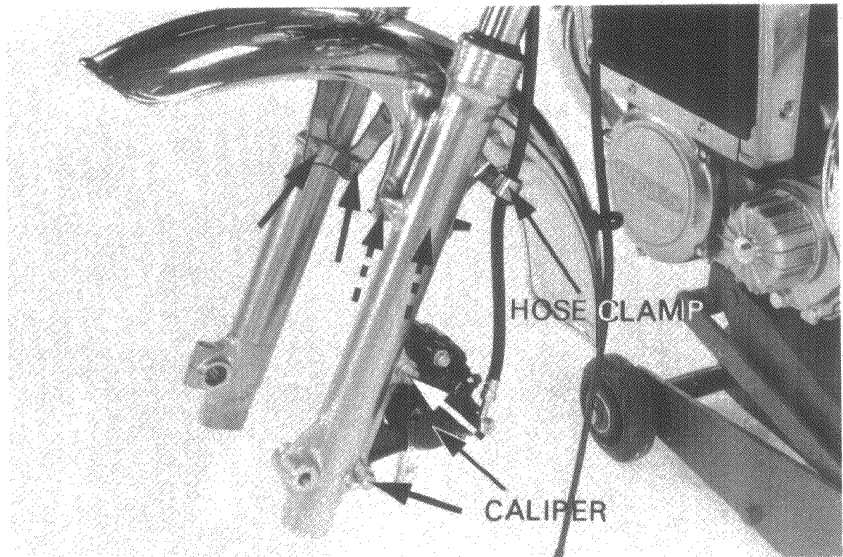
The fork tube caps are under air and spring pressure. Front fork air pressure must be relieved and care used before removing the fork tube caps to prevent them from becoming projectiles. Wear eye and face protection.



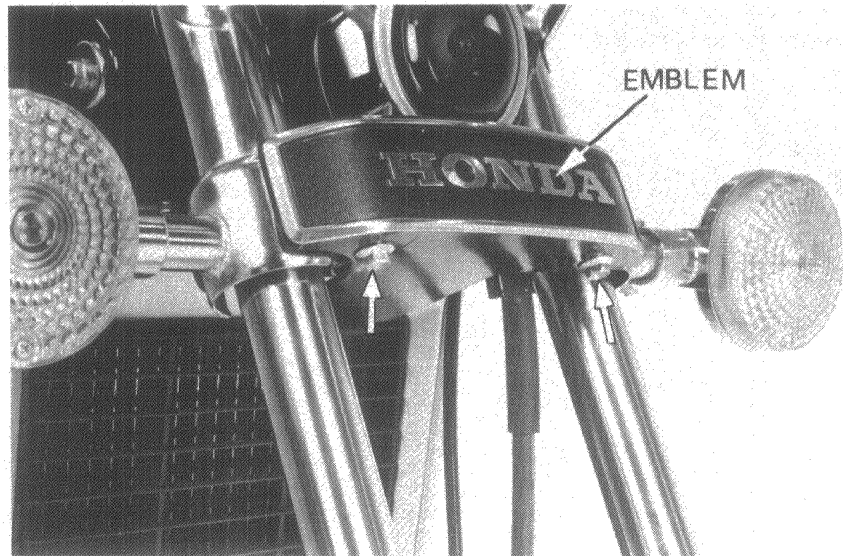


'81 ADDENDUM

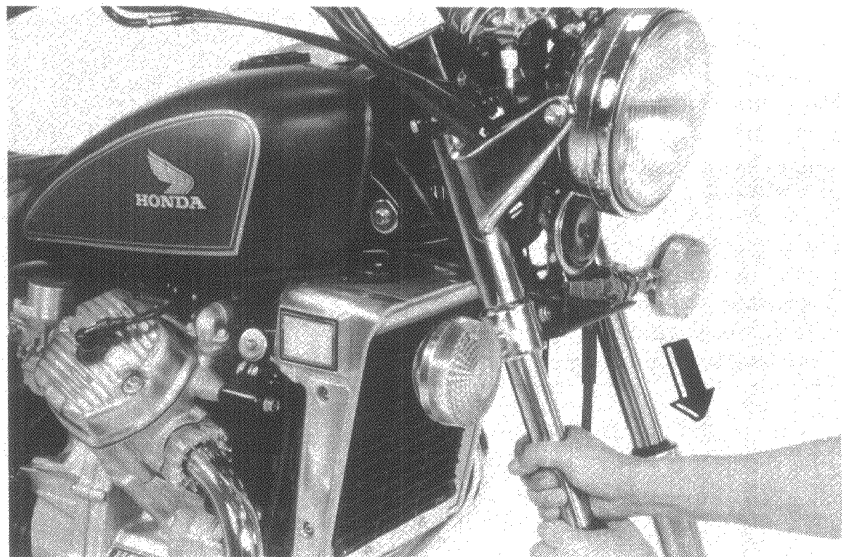
Remove the front wheel (DELUXE: see page 13-5, CUSTOM: see page 24-12).
Remove the brake caliper mounting bolts and caliper.
Remove the front brake hose from the clip on the front fender.
Remove the front fender mounting bolts and fender.



Remove the front emblem by removing the mounting bolts.



Loosen the front fork tube pinch bolts.
Pull each fork tube down and out while twisting them.





DISASSEMBLY

WARNING

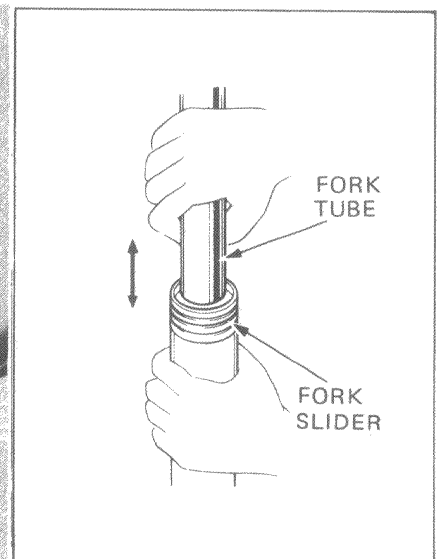
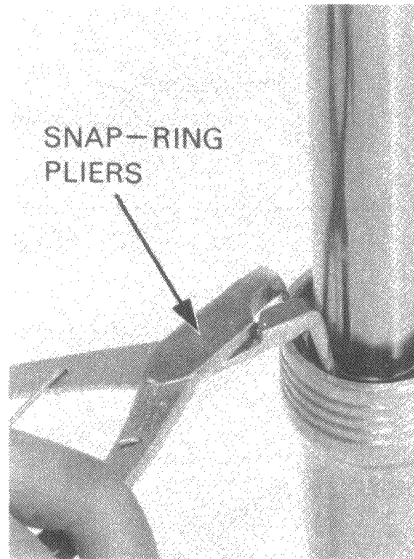
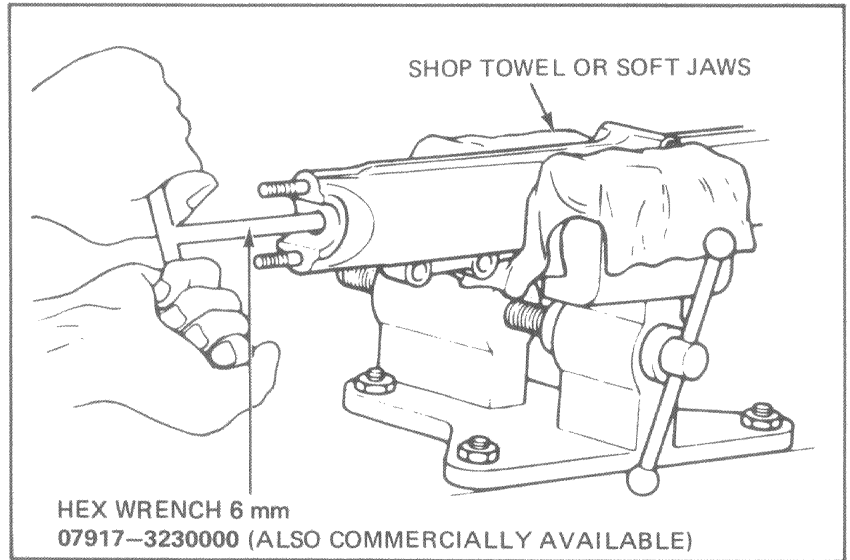
The fork tube caps are still under spring pressure. Use care when removing the fork tube caps to prevent them from becoming projectiles. Wear eye and face protection.

Remove the oil drain bolt and drain the oil.
Remove the socket bolt from the bottom of fork leg with the hex wrench.

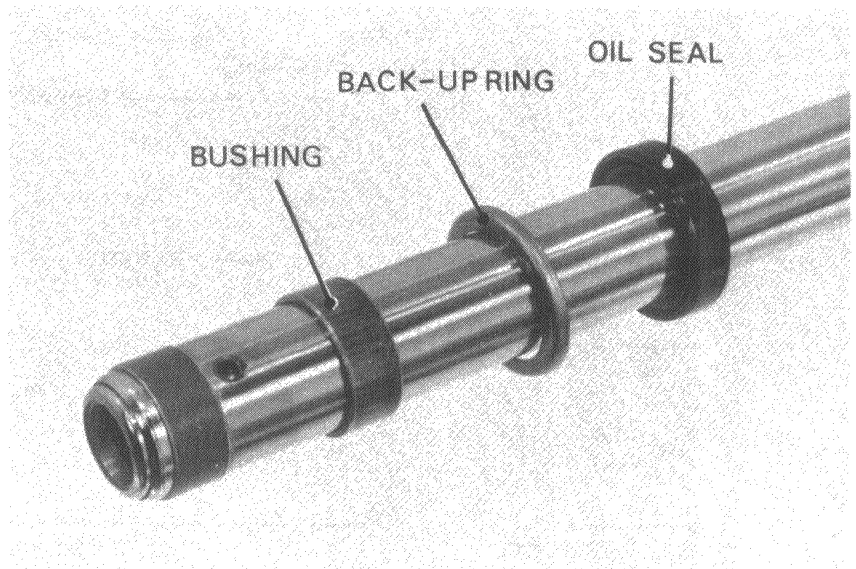
NOTE

- Hold the fork slider in a vise with soft jaw, being careful not to overtighten it.
- Temporarily install the spring and fork cap bolt should difficulty be encountered in removing the socket bolt.

Remove the piston and rebound spring.
Remove the dust cover.
Remove the snap-ring and the back-up plate.
Pull the fork tube out until resistance from the slider bushing is felt.
Then move it in and out, tapping the bushing lightly until the fork tube separates from the slider. The slider bushing, seal and back-up ring will come out with the fork tube.

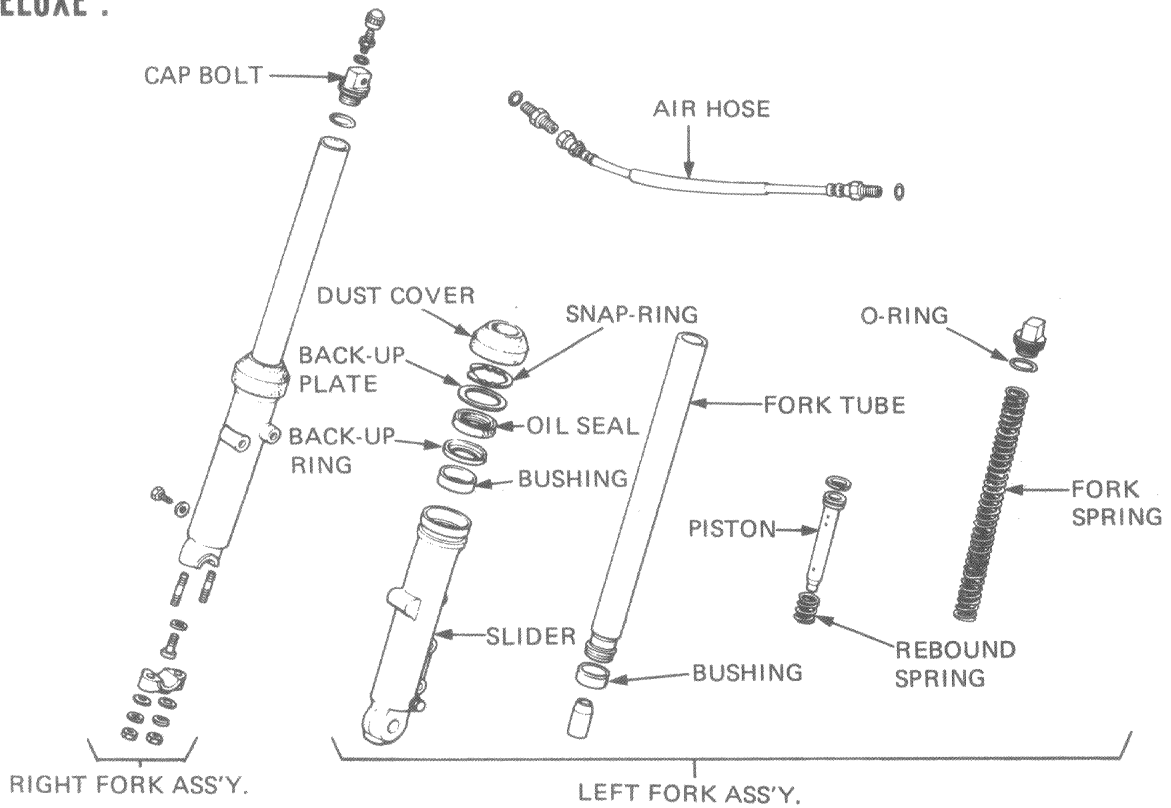


Remove the oil seal and back-up ring from the fork tube.
Remove the oil lock piece from inside the slider.

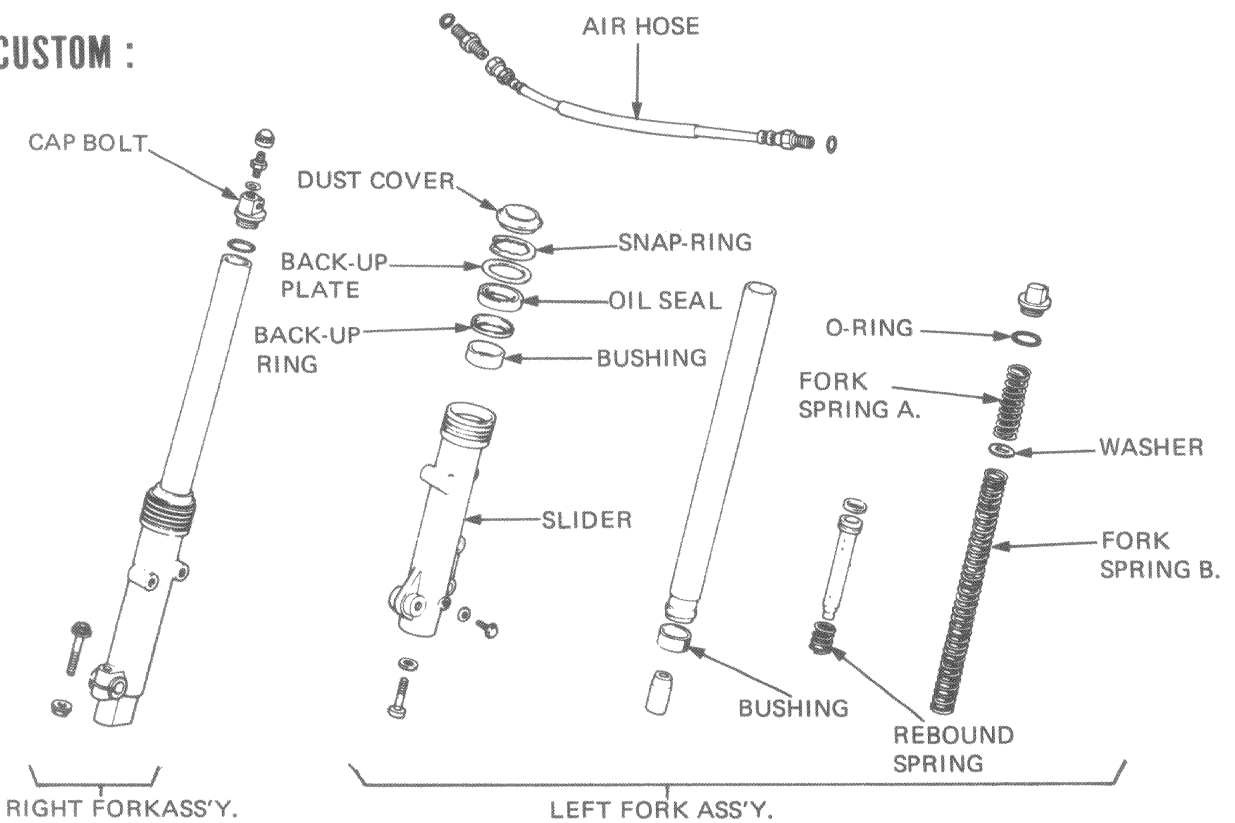




CX500 DELUXE :



CX500 CUSTOM :



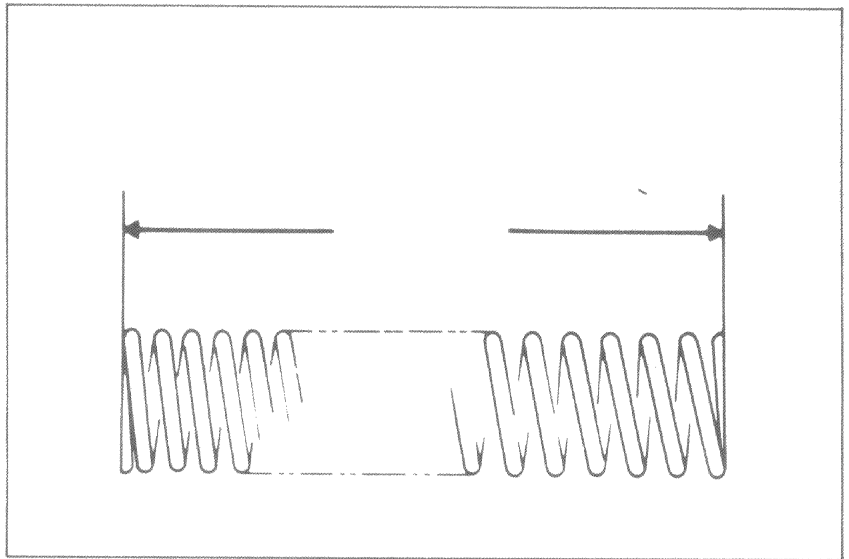


SPRING FREE LENGTH INSPECTION

Check the free length of the fork springs.
Replace them if they are shorter than the service limit.

SERVICE LIMIT:

DELUXE: 556.6 mm (21.9 in)
CUSTOM: SPRING A: 96.7 mm (3.8 in)
 SPRING B: 495.1 mm (19.5 in)



FORK TUBE/SLIDER/PISTON INSPECTION

Check the fork tubes, fork sliders and pistons for score marks, scratches, excessive or abnormal wear, replacing those parts which cannot be used.

Measure the outside diameter of the fork tubes:

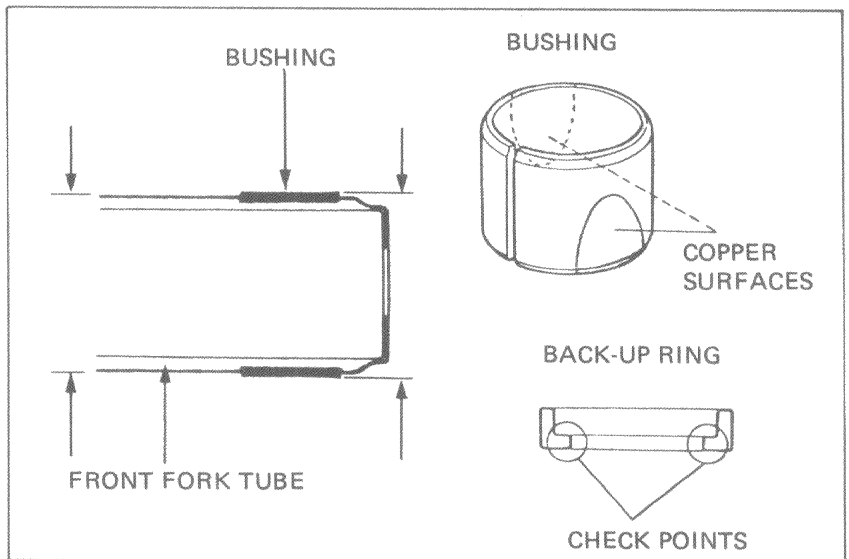
FORK TUBE O.D. SERVICE LIMIT:

DELUXE: 32.90 mm (1.295 in)
CUSTOM: 34.90 mm (1.374 in)

BUSHING/BACK-UP RING INSPECTION

Visually inspect the slider and fork tube bushings.

Replace if there is excessive scoring or scratches, or if the teflon overlay is worn so that the copper surface appears on more than 3/4 of the entire surface.

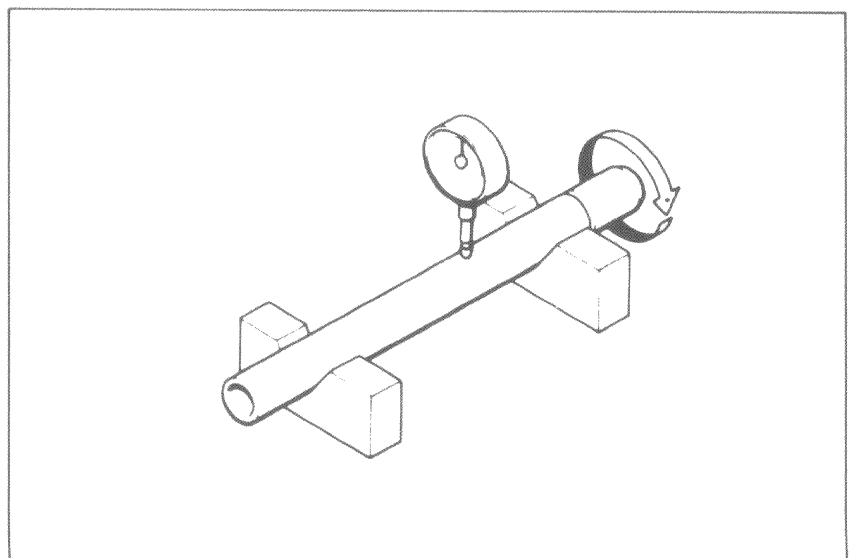


Check the back-up ring at the points shown.
Replace if there is any distortion.

FORK TUBE INSPECTION

Set the fork tube in V blocks and read the runout. 1/2 the total indicator reading is the actual runout.

RUNOUT SERVICE LIMIT: 0.2 mm (0.01 in)





ASSEMBLY

Clean all disassembled parts.

Place the oil lock piece into the slider and insert the fork tube.

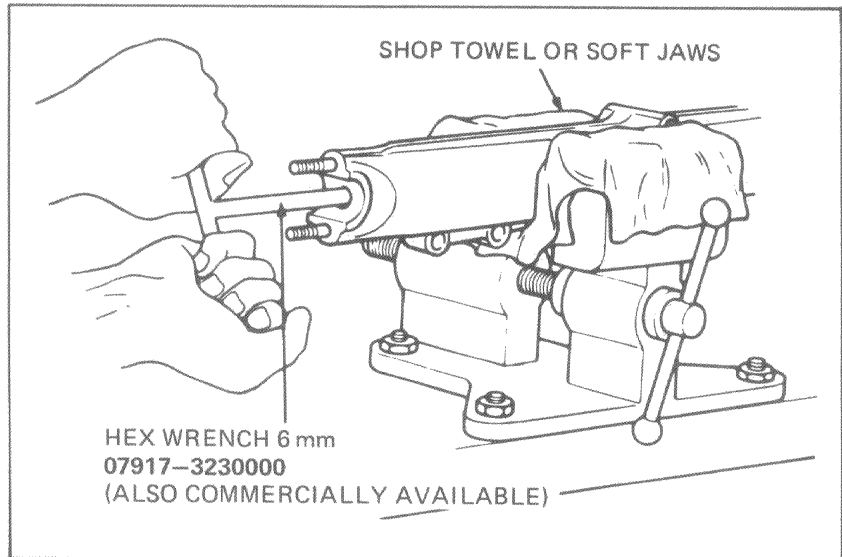
Install the rebound spring and piston into the fork tube.

Apply a locking agent to the socket bolt and thread it into the piston. Tighten with a hex wrench.

TORQUE: 1.5–2.0 kg-m (11–14 ft-lb)

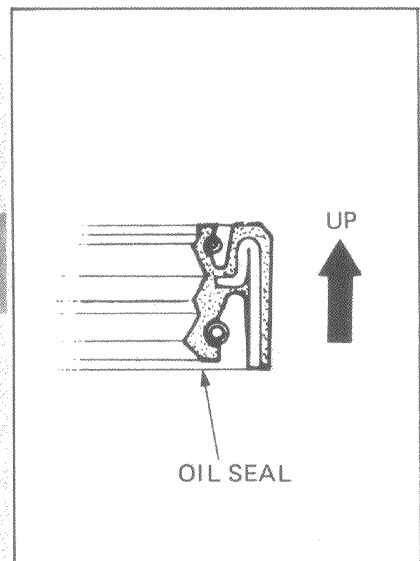
CAUTION

Do not overtighten the fork slider in a vise.



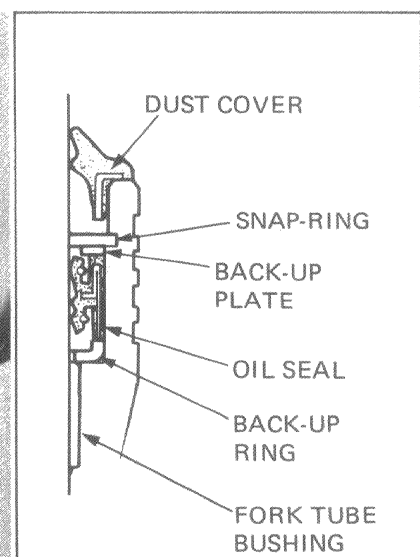
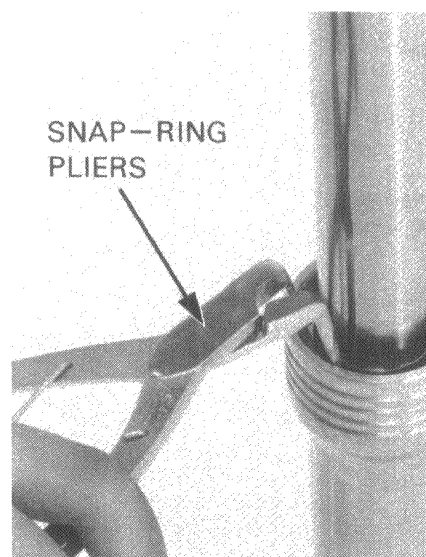
Place the slider bushing over the fork tube and rest it on the slider. Put the back-up ring and on old bushing or equivalent tool on top of the bushing. Drive the bushing into place with the seal driver (P/N 07947-3290000). Remove the old bushing or equivalent tool.

Dip the new oil seal in ATF and install it over the fork tube with the marks facing up. Drive the oil seal into position until the snap-ring groove appears.



Install the back-up plate.

Install the snap-ring and dust cover.





Use ATF (Automatic Transmission Fluid) to fill the front forks.

CAPACITY: DELUXE: 185 cc (6.3 oz)
CUSTOM: 220 cc (7.5 oz)

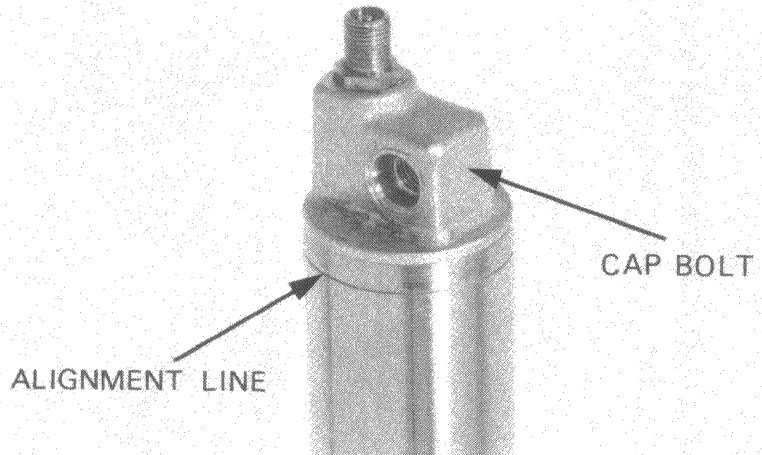
NOTE

Do not overfill.

Slide the fork spring and spring seat into position and install the cap bolt.

NOTE

- Place the fork tube in a vise with a shop towel, avoiding the sliding surface.
- Note the spring direction.



INSTALLATION

Install the front fork into the steering stem and bridge, rotating it by hand if necessary.

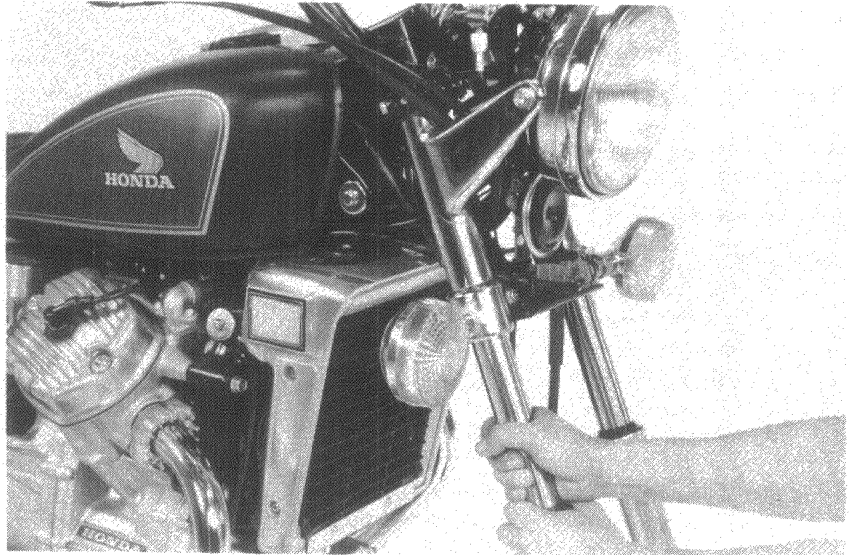
NOTE

Align the front fork alignment line with the top of the bridge.

Tighten the upper and lower fork pinch bolts.

TORQUE:

UPPER : 0.9–1.3 kg-m (7– 9 ft-lb)
LOWER: 1.8–2.5 kg-m (13–18 ft-lb)

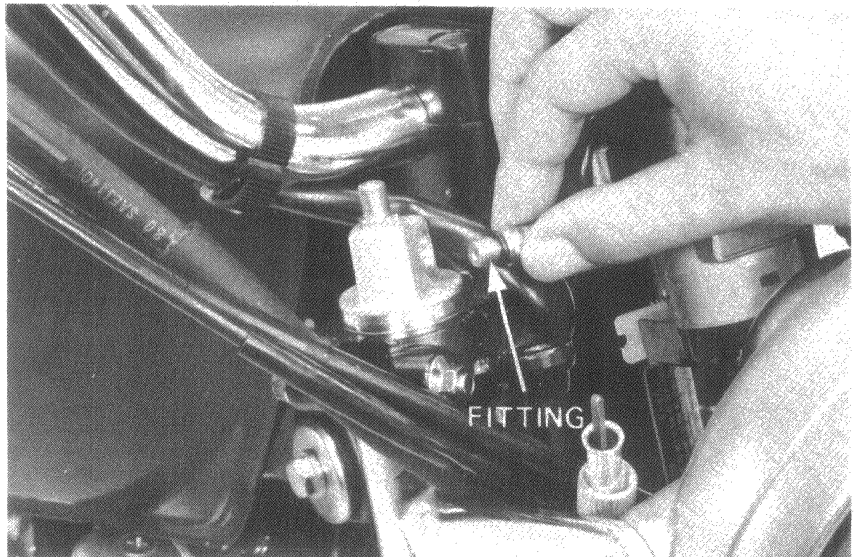


Tighten the fork tube cap bolts.

TORQUE: 1.5–3.0 kg-m (11–22 ft-lb)

Apply grease to the new O-rings.
Place new O-rings on the air hose connectors.
Install and tighten the air hose connector.

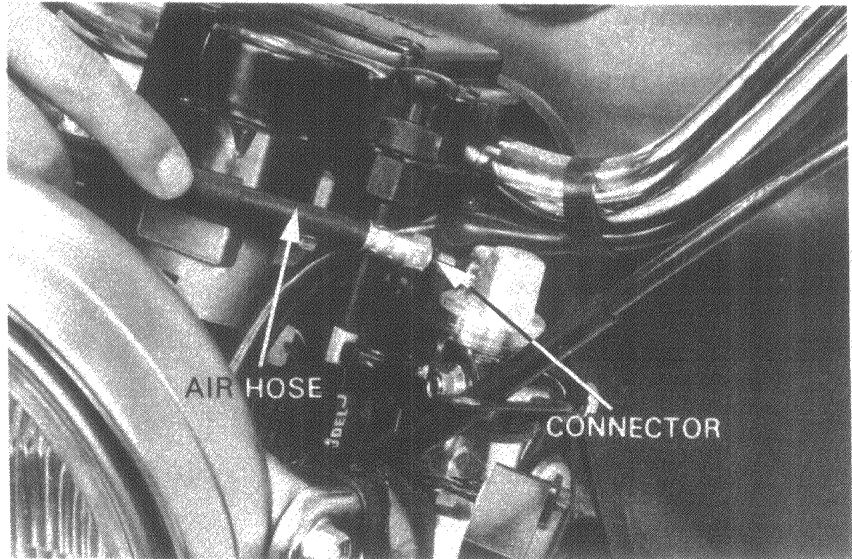
TORQUE: 0.4–0.7 kg-m (3–5 ft-lb)





Install the air hose to the left fork cap.

TORQUE: 0.4–0.7 kg-m (3–5 ft-lb)



Connect the air hose to the right fork cap.

TORQUE: 1.5–2.0 kg-m (11–14 ft-lb)

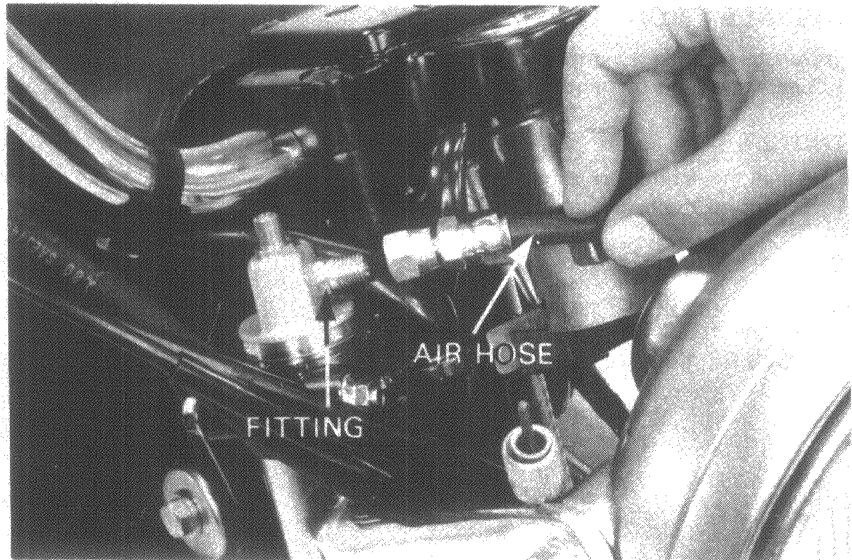
Install the removed parts in the reverse order of removal.

Use a bicycle air pump to fill the fork-tube with air to the recommended air pressure.

AIR PRESSURE: 0.7–1.1 kg/cm² (10–16 psi)

CAUTION

- Use only a hand operated air pump to fill the fork tubes.
Do not use compressed air.
- Maximum pressure is 3 kg/cm² (43 psi). Do not exceed this or fork tube component damage may occur.



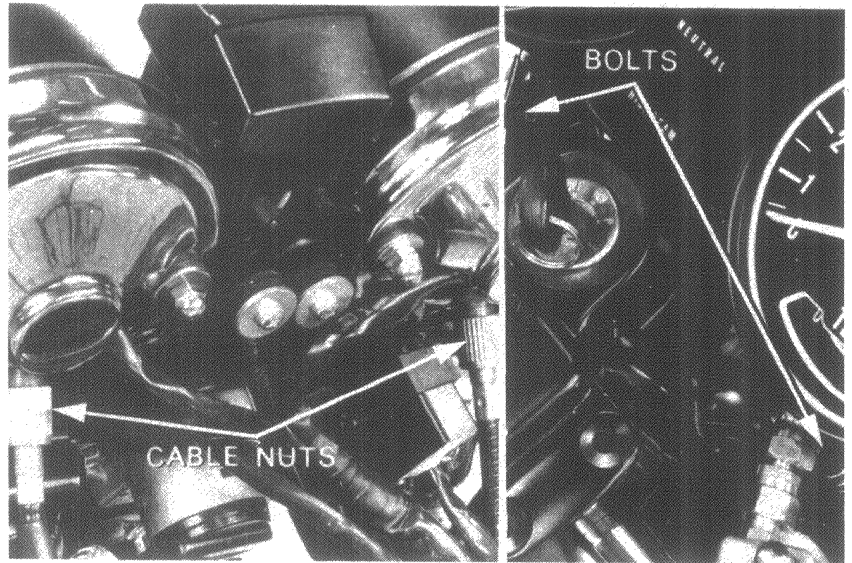
With the front brake applied, pump the front forks up and down several times. Place the motorcycle on its center stand. Check the air pressure and adjust if necessary.



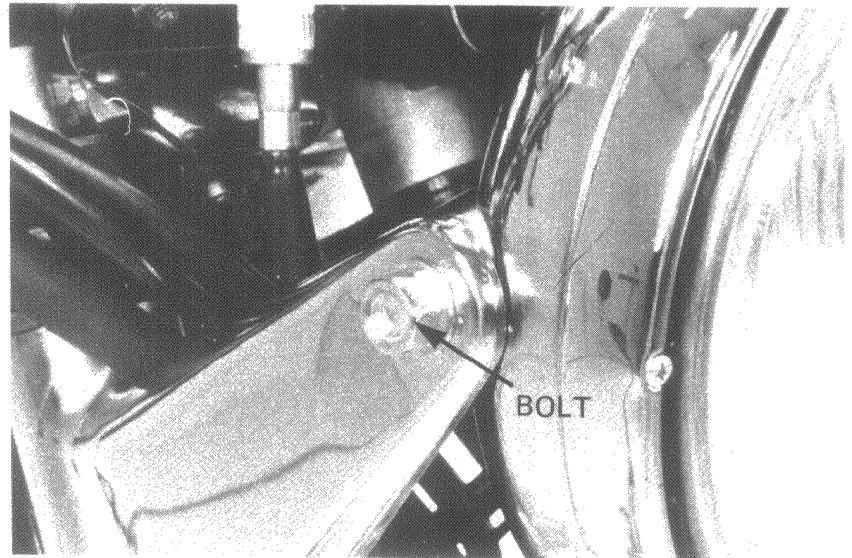
5. SWITCHES IGNITION SWITCH

REMOVAL

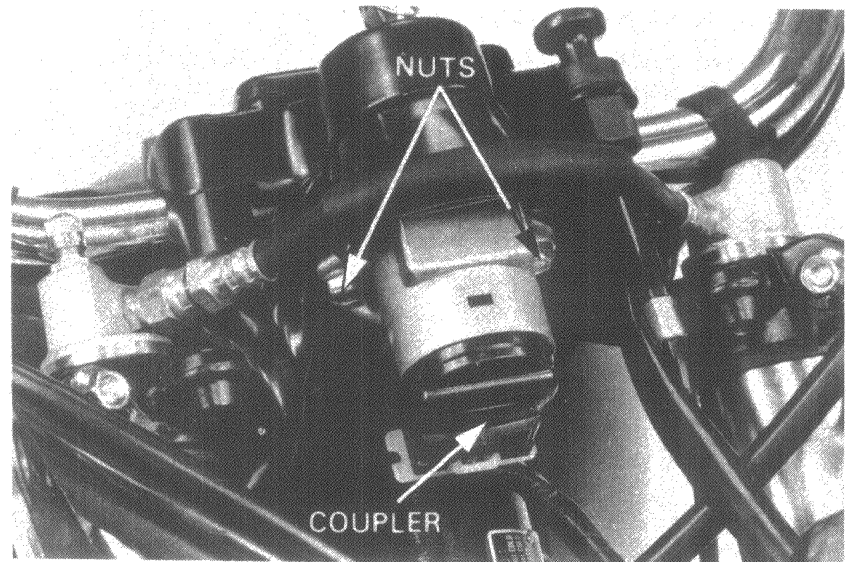
Remove the speedometer and tachometer cable nuts. Remove the instrument cluster mounting bolts and the instrument cluster.



Remove the headlight case mounting bolts and headlight case.



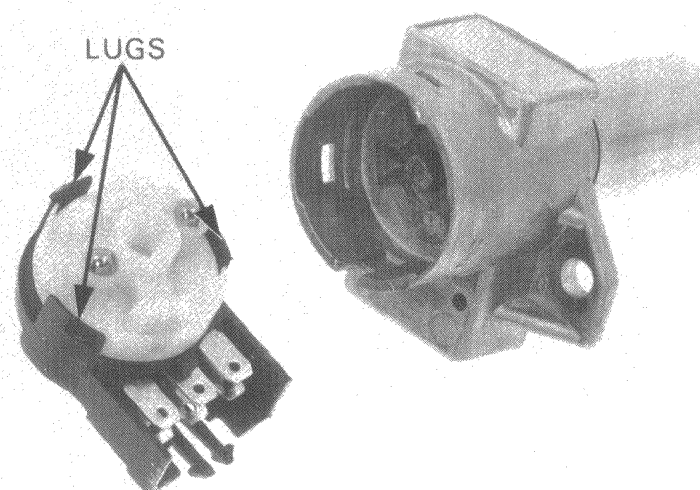
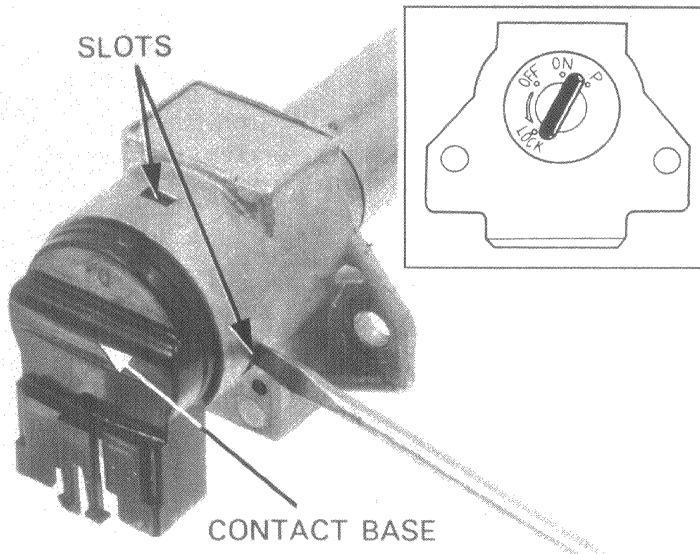
Remove the ignition switch mounting bolts and disconnect the ignition switch coupler.





DISASSEMBLY

Insert the ignition key into the switch and position it in between the ON and P detents. Push the lugs from the slots and remove the contact base.

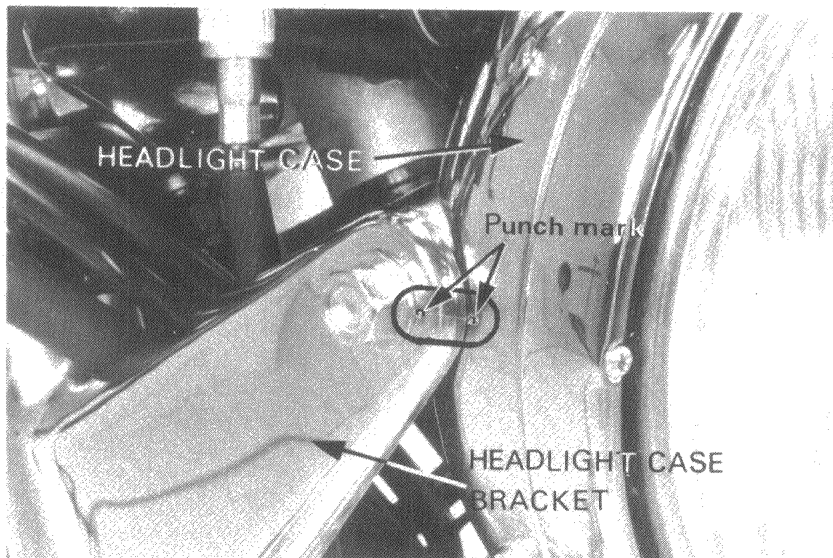


ASSEMBLY AND INSTALLATION

Assembly and installation are the reverse order of disassembly and removal.

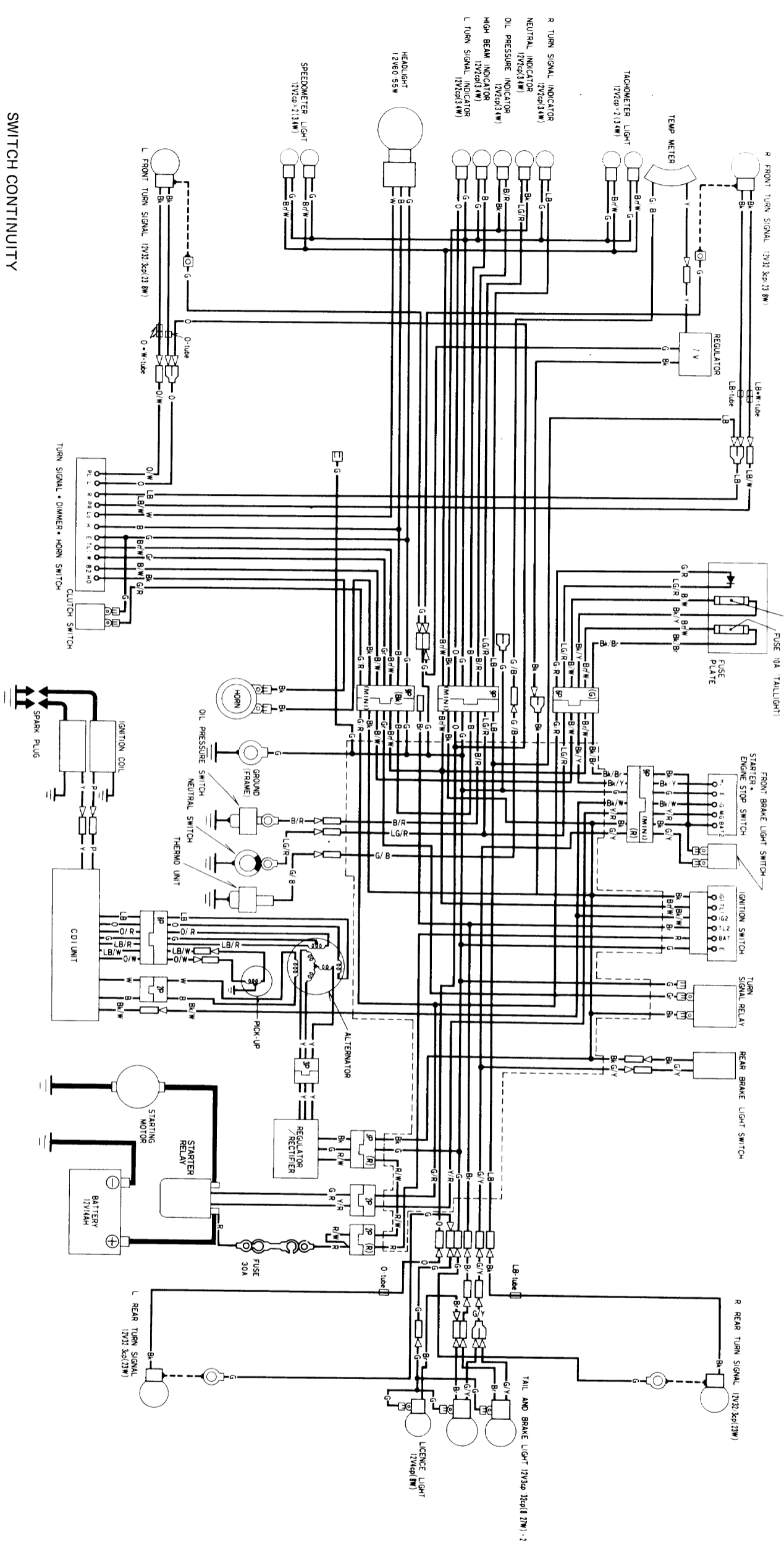
NOTE

When installing the headlight case, align the punch marks on case with the punch marks on the headlight case brackets.





6. WIRING DIAGRAM CX500 DELUXE



IGNITION SWITCH CONTINUITY

	E	IG2	BAT	IG1	TL1	TL2
OFF	○	○	○	○	○	○
ON	○	○	○	○	○	○
P	○	○	○	○	○	○
LOCK	○	○	○	○	○	○

STARTER+ENGINE STOP SWITCH CONTINUITY

	ENGINE STOP SWITCH	STARTER SWITCH
OFF	IG	E
ON	FREE	MAG BATT2
PUSH	○	HL
OFF	○	○

TURN SIGNAL + DIMMER + HORN SWITCH CONTINUITY

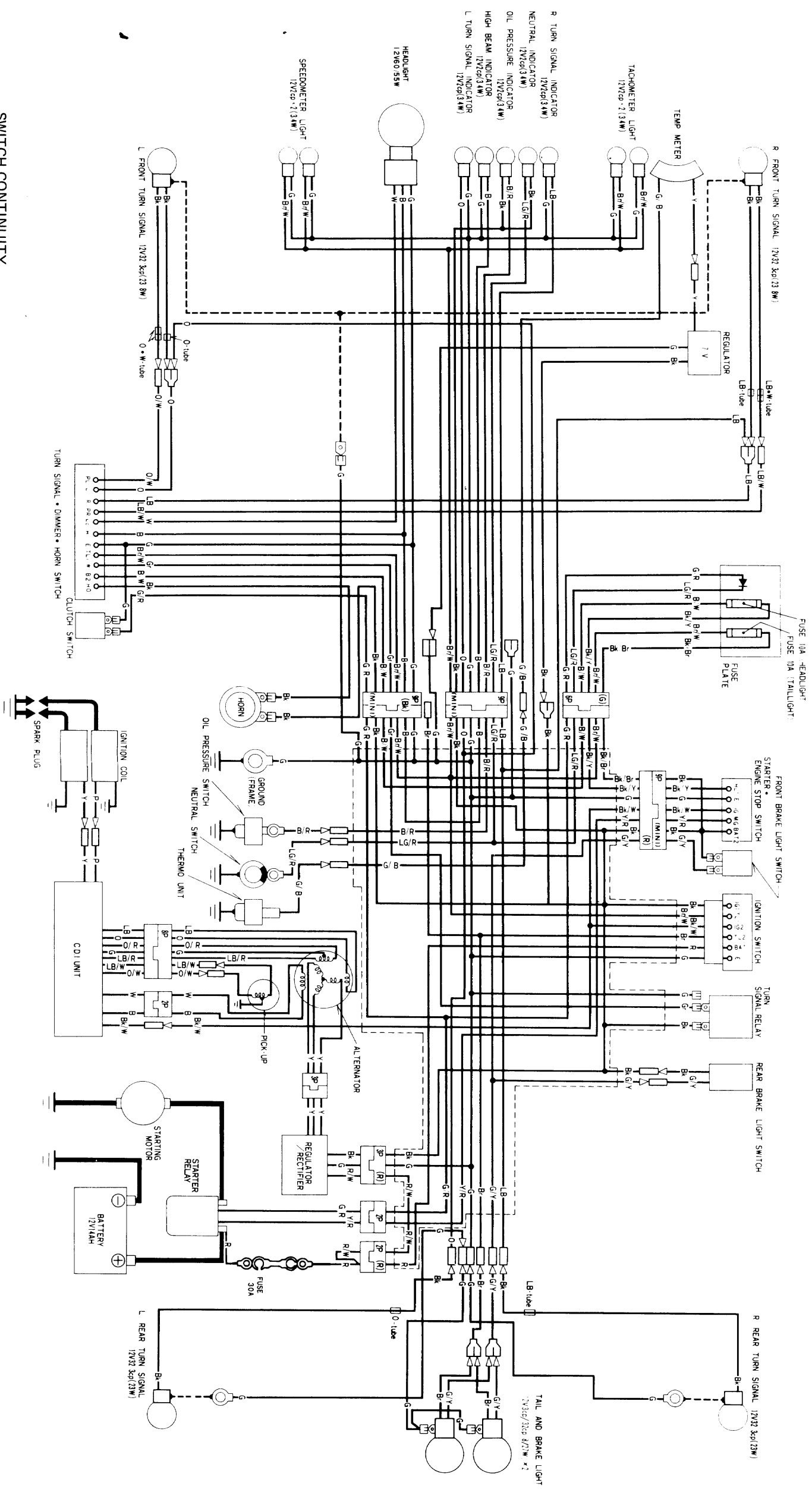
	DIMMER SWITCH	HORN SWITCH	TURN SIGNAL SWITCH
B2	LG	HI	HO
LG	○	○	E
NI	○	○	R
PUSH	○	○	N
OFF	○	○	L

TURN SIGNAL SWITCH CONTINUITY

	L	TL1	PR	PL
○	○	○	○	○
○	○	○	○	○
○	○	○	○	○

- Bk Brown
- Bk Black
- W White
- LG Light Green
- R Red
- G Green
- Y Yellow
- B Blue
- G Grey
- LB Light Blue
- O Orange
- P Pink

0030Z - 470 - 7500



IGNITION SWITCH CONTINUITY

	E	IG2	BAT	IG1	TL1	TL2
OFF	○	○	○	○	○	○
ON	○	○	○	○	○	○
P	○	○	○	○	○	○
LOCK	○	○	○	○	○	○

STARTER ENGINE STOP SWITCH CONTINUITY

	IG	E	FREE	MAG	BAT2	HL1
OFF	○	○	○	○	○	○
RUN	○	○	○	○	○	○
PUSH	○	○	○	○	○	○

TURN SIGNAL DIMMER HORN SWITCH CONTINUITY

	B2	L0	H	FREE	HO	E
OFF	○	○	○	○	○	○
N	○	○	○	○	○	○
H	○	○	○	○	○	○

TURN SIGNAL SWITCH CONTINUITY

	W	R	L	TL1	PR	PL
OFF	○	○	○	○	○	○
N	○	○	○	○	○	○
L	○	○	○	○	○	○

- B Brown
- Bk Black
- W White
- LG Light Green
- R Red
- G Green
- Y Yellow
- B Blue
- Gr Grey
- LB Light Blue
- O Orange
- P Pink

0030Z — 449 — 7500