



SERVICE INFORMATION	2-1
TROUBLESHOOTING	2-1
ENGINE OIL LEVEL CHECK	2-2
ENGINE OIL & OIL FILTER CHANGE	2-2
FINAL GEAR OIL CHECK/REPLACEMENT	2-3
DRIVE SHAFT JOINT LUBRICANT	2-3
LUBRICATION POINTS	2-4

SERVICE INFORMATION

• WORKING PRACTICE

Oil pump	Refer to Section 7.
Oil pressure relief valve	Refer to Section 7.
Oil strainer	Refer to Section 7.

• SPECIFICATIONS

Oil capacity	3.0 liters (3.2 U.S. qt.) at engine assembly; 2.5 liters (2.6 U.S. qt.) at oil change
Oil	HONDA 4-STROKE Oil or equivalent, rated SAE 10W-40, grade SE
Oil pump delivery	9.4 ± 1 liter/3,000 rpm/min.

TROUBLESHOOTING

Oil Level Too Low:

1. Normal oil consumption
2. External oil leaks
3. Worn piston rings

Oil Contamination

1. Oil or filter not changed often enough
2. Defective head gasket

Low Oil Pressure

1. Faulty warning light switch
2. Pressure relief valve stuck open
3. Plugged oil pick-up screen
4. Oil pump worn

High Oil Pressure:

1. Pressure relief valve stuck closed
2. Plugged oil filter, gallery, or metering orifice
3. Incorrect oil being used

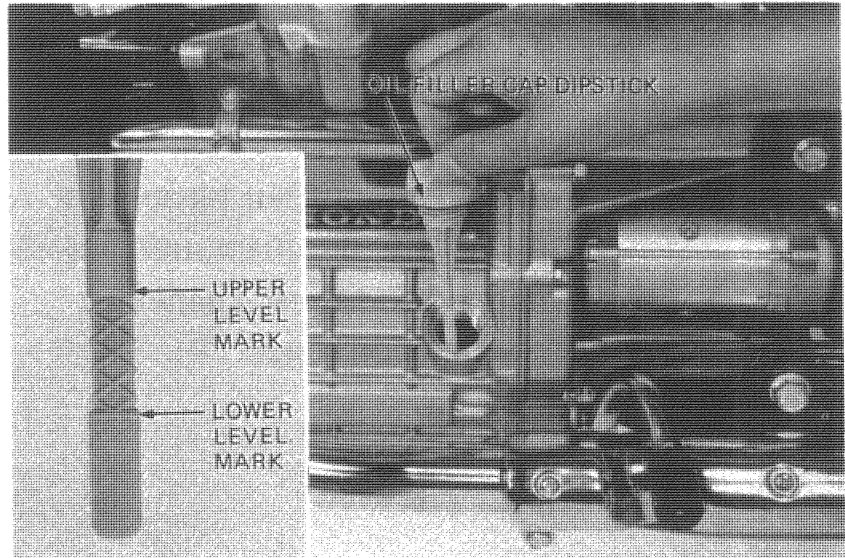
No Oil Pressure

1. Oil level too low
2. Oil pump drive chain broken
3. Faulty oil pump



ENGINE OIL LEVEL CHECK

Place the motorcycle on its center stand. Check the oil level with the filler cap dipstick after 2–3 minutes. Do not screw in the cap when making this check. If the level is below the lower level mark on the dipstick, fill to the upper level mark with the recommended oil.



ENGINE OIL & OIL FILTER CHANGE

NOTE

Engine oil change is performed with the engine at normal operating temperature and vehicle on its center stand to ensure complete and rapid draining.

Remove the oil filler cap.

Remove the drain plug to drain oil from the engine.

NOTE

Crank the engine for 2–3 seconds to drain any residual oil.

Screw out the oil filter bolt and remove the oil filter element from the oil filter case. Check operation of the bypass valve in the oil filter bolt.

Install a new oil filter element and retighten the oil filter bolt.

NOTE

- Make sure that the o-rings on the filter bolt and the oil filter cover are not damaged and are in good condition.
- Torque the oil filter bolt.

TORQUE: 2.0–2.5 kg-m (14–18 ft-lb)

Reinstall the drain plug.

Making sure the sealing washer is in good condition.

Fill the engine with 2.5 liters (2.6 U.S. qt) of recommended oil.

RECOMMENDED OIL:

Use HONDA 4-STROKE OIL or equivalent.

API Service Classification : SE

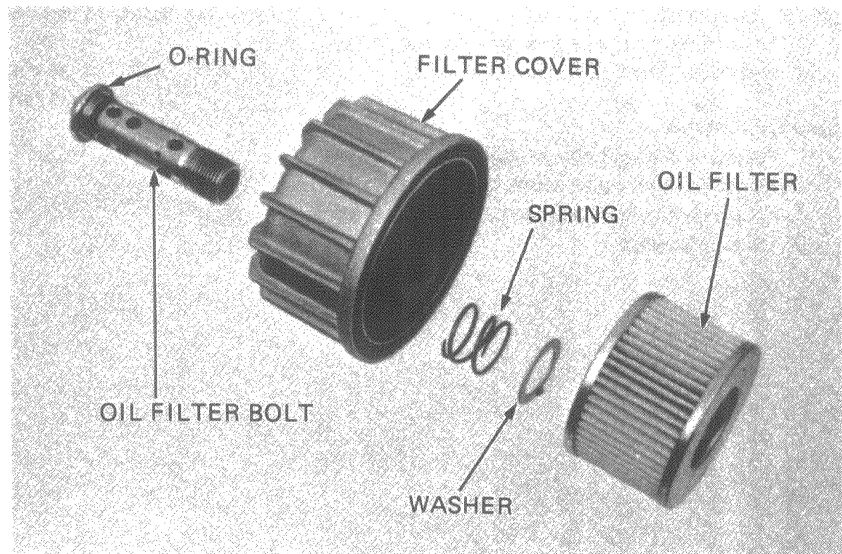
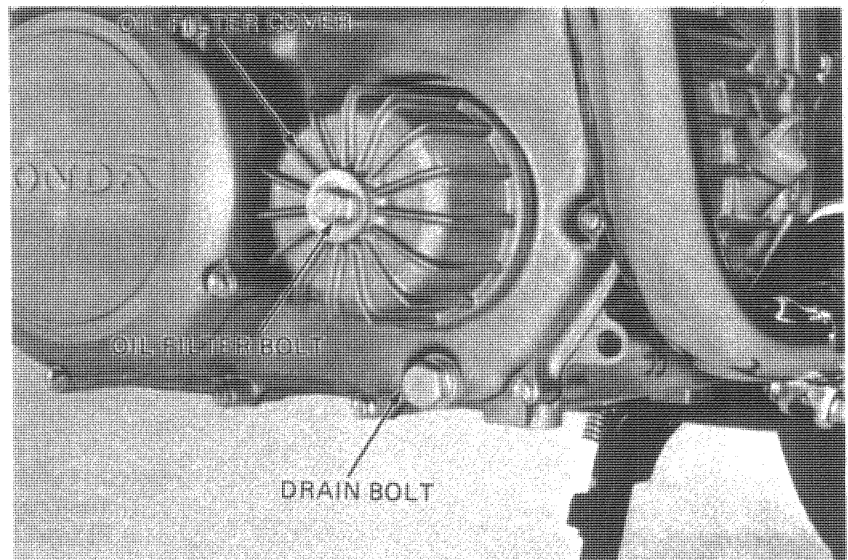
General, all temperatures : SAE 10W-40

Above 15°C/59°F : SAE 30

0°C/32°F - 15°C/59°F : SAE 20 or 20W

Below 0°C/32°F : SAE 10W

Stop the engine, make sure that the oil level is at the upper level mark, and there are no oil leaks.





FINAL DRIVE GEAR OIL CHECK/ REPLACEMENT

• OIL LEVEL CHECK

Place the motorcycle on its center stand.

Remove the oil filler cap.

Check that the final gear case is filled up to the lower edge of the oil filler cap hole.

NOTE

If the level is low, check for leaks. Pour fresh oil through the oil filler opening until it reaches the lower edge of the opening.

• OIL REPLACEMENT

Remove the oil filler cap.

Remove the drain bolt to drain all oil from the final gear case.

Reinstall the drain bolt securely.

Fill the gear case with the recommended oil up to the correct level.

OIL CAPACITY: 170 cc (5.7 US oz)

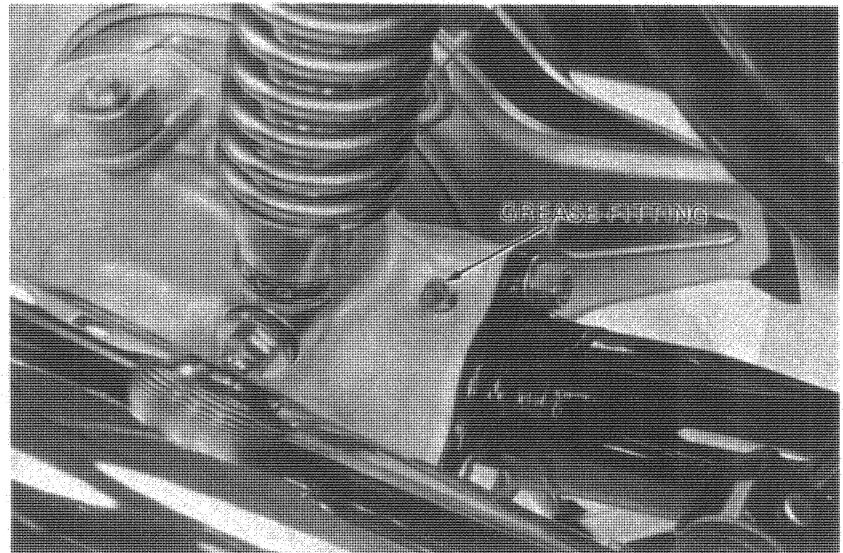
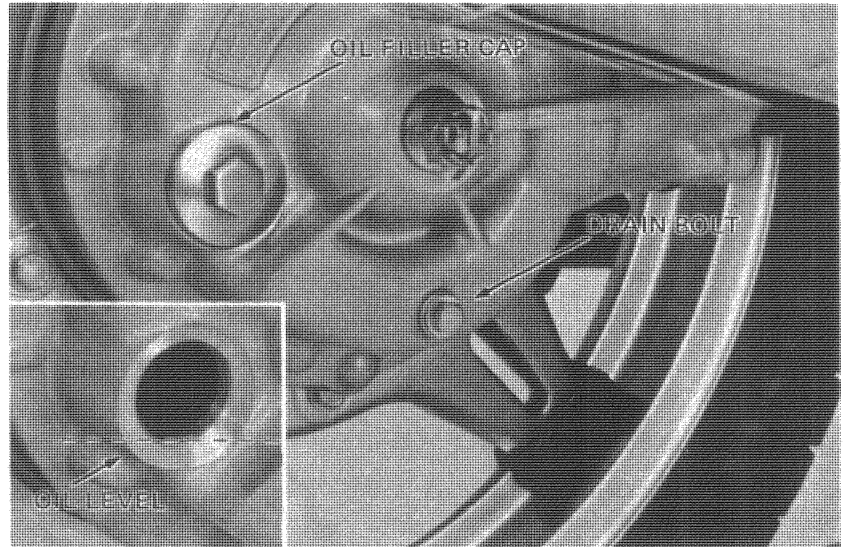
RECOMMENDED OIL: HYPOID GEAR OIL

SAE 90 (Above 5°C, 41°F)

SAE 80 (Below 5°C, 41°F)

DRIVE SHAFT JOINT

Pump multipurpose grease through the drive shaft joint grease fitting LITHIUM-BASED MULTIPURPOSE GREASE.





LUBRICATION POINTS

